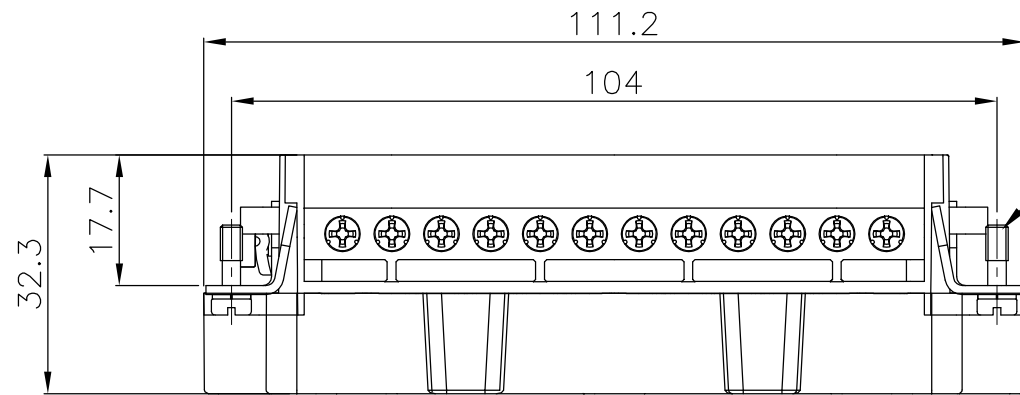
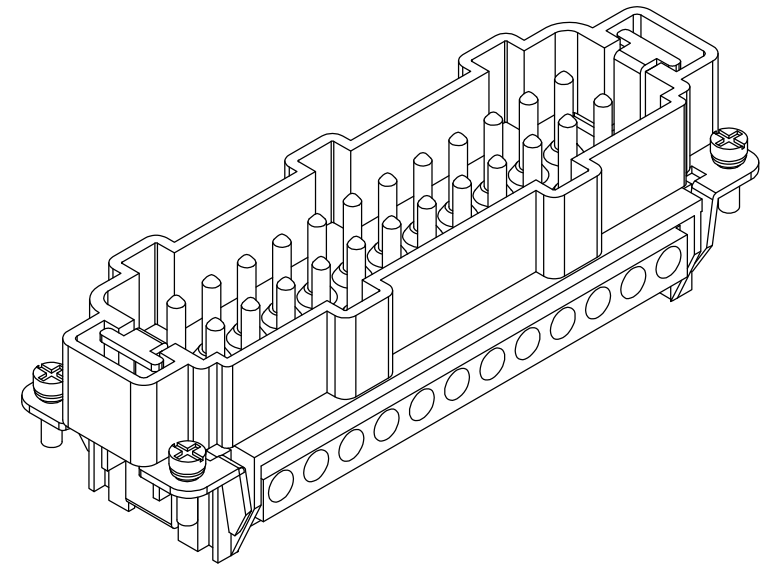
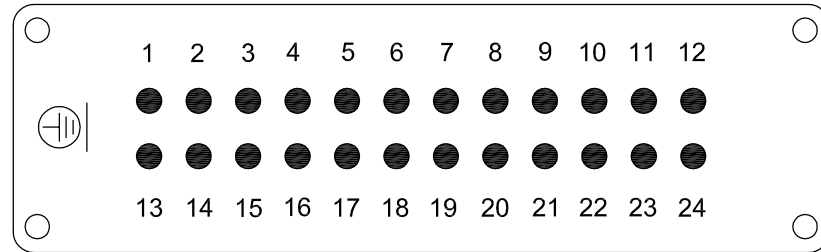
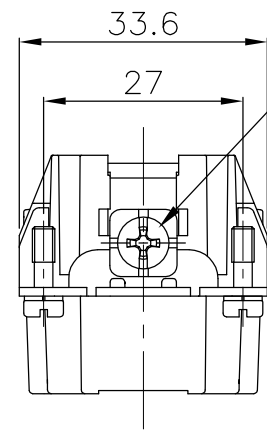


Contact arrangement view from termination side
Disposizione contatti vista lato terminazioni

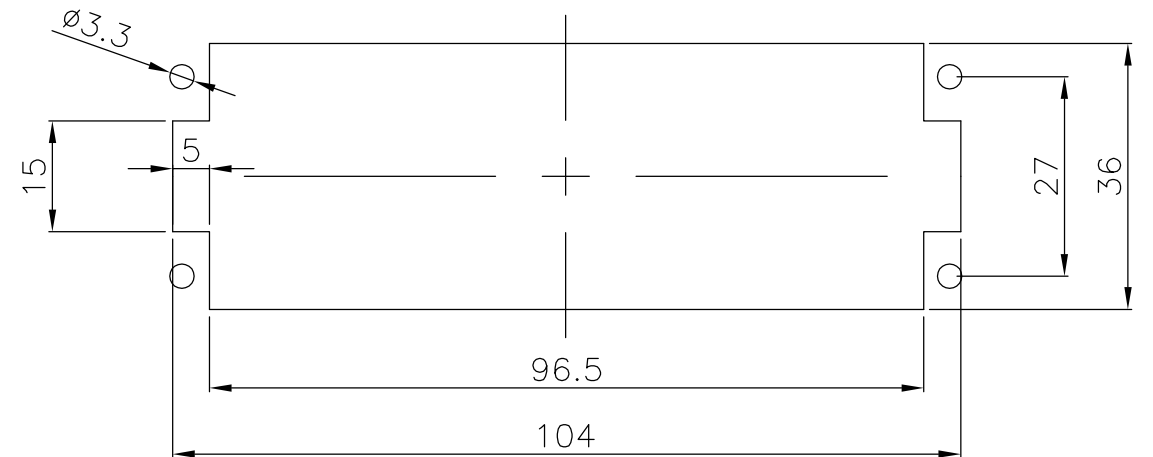
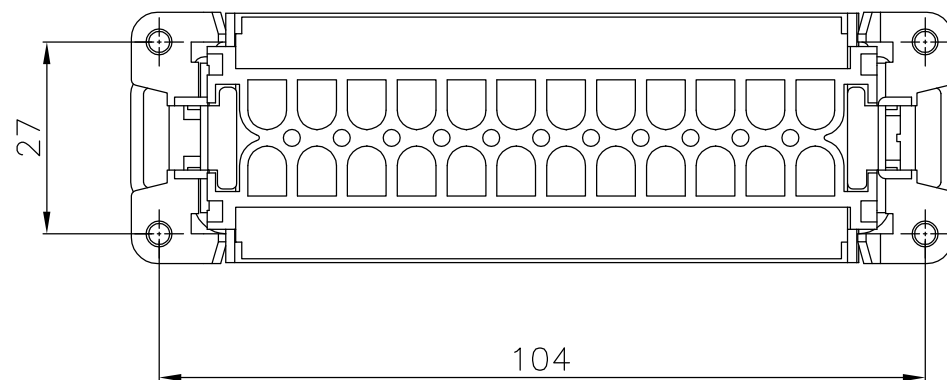


Fixing screws 4xM3
Viti di fissaggio 4xM3



Ground screw M4
Vite di terra M4

Panel cut out for inserts for use without hood/housing
Foratura di alloggiamento inserti per uso senza custodia



TECHNICAL CHARACTERISTICS CARATTERISTICHE TECNICHE

Number of poles Numero di poli	24 (Position 1-24)
Rated Voltage (conductor/conductor) Tensione Nominale (conduttore/conduttore)	500V
Rated Current Corrente Nominale	16A
Contact resistance IEC 60512-2 Resistenza di contatto IEC 60512-2	≤ 3mΩ
Material and surface of the contact Materiale e finitura del contatto	Copper Alloy / Hard silver plated Legga di rame / Argentati
Wire section Sezione del filo	0.5 to 2.5 mm ² / 20 to 14 AVG
Temperatura di lavoro connettore Connector working temperature	-40°C to +125°C

THIS DRAWING CONTAINS INFORMATION THAT IS PROPRIETARY TO MOLEX INCORPORATED AND SHOULD NOT BE USED WITHOUT WRITTEN PERMISSION

EC DESCRIPTION	QUALITY SYMBOLS	GENERAL TOLERANCES ISO 2768-2/F (UNLESS SPECIFIED)		DIMENSION UNITS	SCALE
		Dim.	Tol.	MM	1:1
EC NO: DRWN: CHKD: APPR: REV:	▽ = 0	0.5+3	± 0.05	DRWN BY	DATE
	▽ = 0	3+6	± 0.05	ELONGHI	23/01/2017
	▽ = 0	6+30	± 0.1	CHK'D BY	DATE
	▽ = 0	30+120	± 0.15	AMELZI	23/01/2017
	▽ = 0	120+400	± 0.2	APPR BY	DATE
	▽ = 0	ANGULAR DIMENSIONS		AMELZI	23/01/2017
	⊠ = 0	<10	± 1°	DRAWING SIZE	FIRST ANGLE PROJECTION
	■ = 0	10+50	± 0°30'	A3	
	■ = 0	50+120	± 0°20'		
	▽ = 0	120+400	± 0°10'		
molex					
7324.6107.0 S-E SERIES 24B MALE INSERT SERIE S/E 24B INSERTO MASCHIO					
PRODUCT CUSTOMER DRAWING					
SERIES	MATERIAL NUMBER	CUSTOMER			
09360	0936010307	GENERAL MARKET			
DOCUMENT NUMBER		DOC TYPE	DOC PART	SHEET NUMBER	
0936010307		PSD	000	1 OF 1	