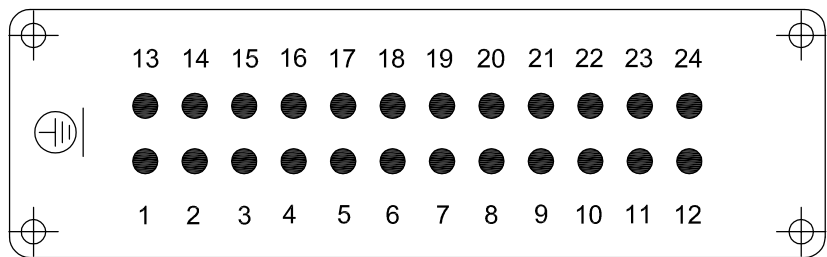
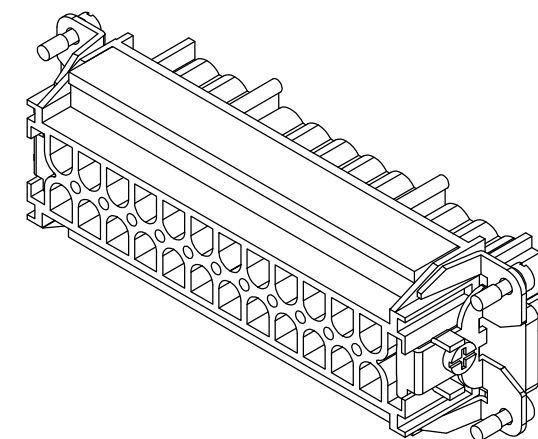
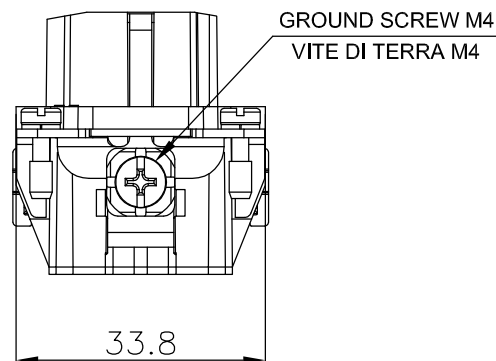
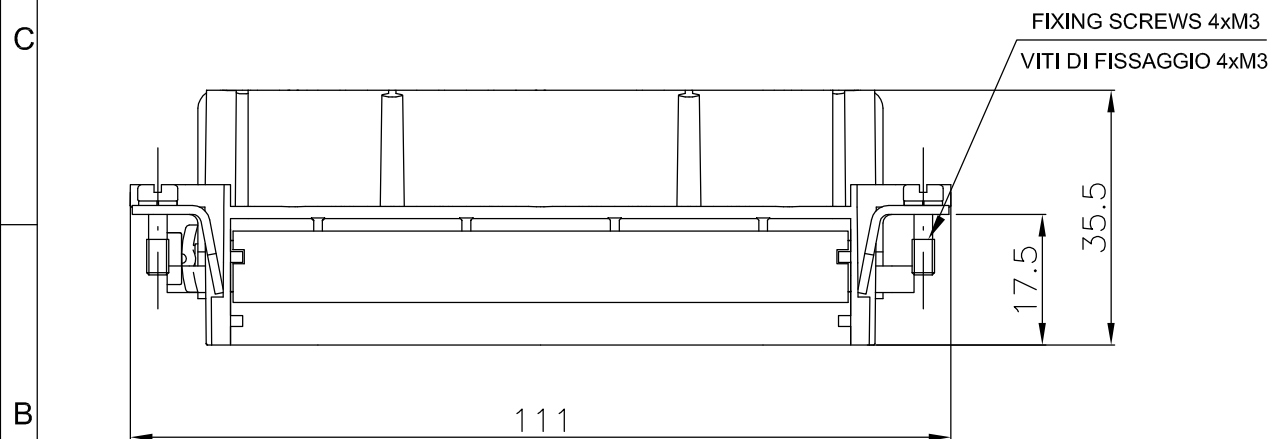
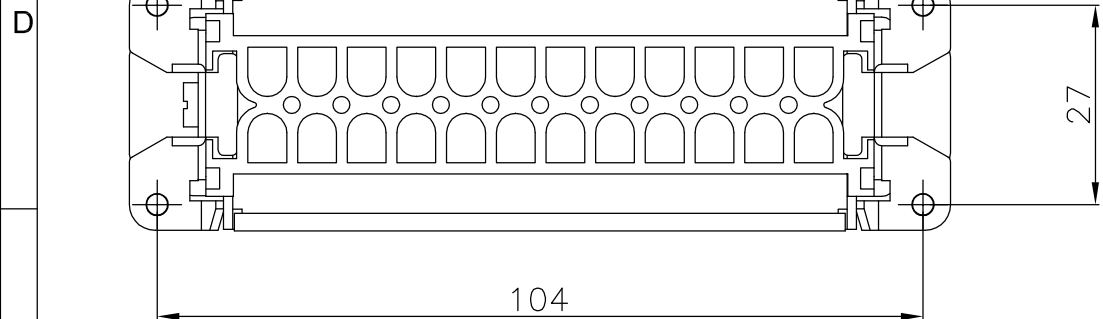
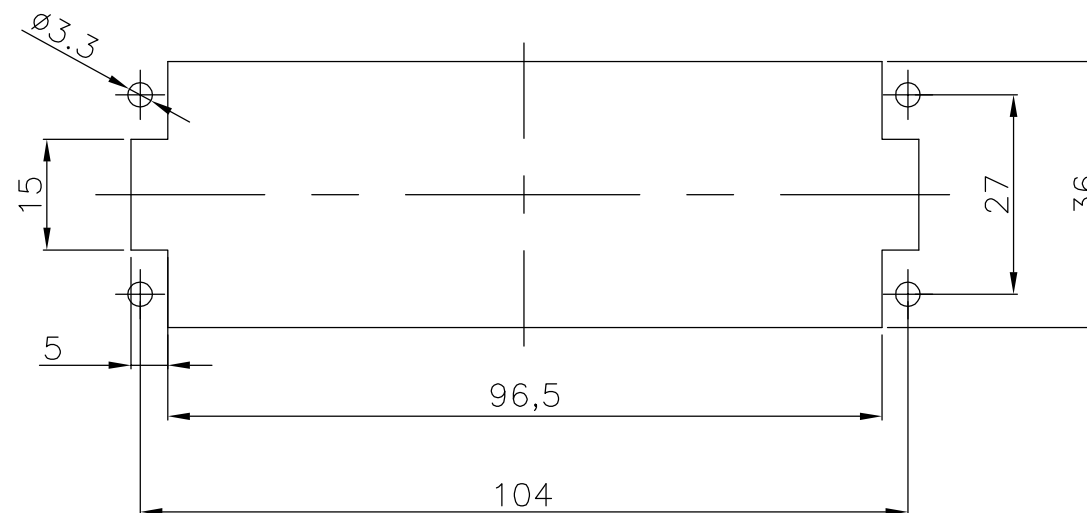


CONTACT ARRANGEMENT VIEW TERMINATION SIDE
DISPOSIZIONE CONTATTI VISTA LATO TERMINAZIONI



PANEL CUT OUT FOR INSERTS WITHOUT USE OF HOOD/HOUSING
FORATURA DI ALLOGGIAMENTO INSERTI PER USO SENZA CUSTODIA



TECHNICAL CHARACTERISTICS
CARATTERISTICHE TECNICHE

Number of poles Numero di poli	24 (Position 1-24)
Rated Voltage (conductor/conductor) Tensione Nominale (conduttore/conduttore)	500V
Rated Current Corrente Nominale	16A
Contact resistance IEC 60512-2 Resistenza di contatto IEC 60512-2	≤ 3mΩ
Material and surface of the contact Materiale e finitura del contatto	Copper Alloy / Hard silver plated Lega di rame / Argentati
Wire section Sezione del filo	0.14 to 4.0 mm ² / 26 to 12 AVG
Temperatura di lavoro connettore Connector working temperature	-40°C to +125°C

THIS DRAWING CONTAINS INFORMATION THAT IS PROPRIETARY TO MOLEX INCORPORATED AND SHOULD NOT BE USED WITHOUT WRITTEN PERMISSION

EC DESCRIPTION	QUALITY SYMBOLS	GENERAL TOLERANCES ISO 2768-2/F (UNLESS SPECIFIED)		DIMENSION UNITS	SCALE
		Dim.	Tol.	MM	1:1
EC NO: _____ DRWN: _____ CHKD: _____ APPR: _____ REV: _____	▽ = 0	0.5+3	± 0.05	DRWN BY	DATE
	▽ = 0	3+6	± 0.05	ELONGHI	04/02/2014
	▽ = 0	6+30	± 0.1	CHK'D BY	DATE
	▽ = 0	30+120	± 0.15	MDUGO	04/02/2014
	▽ = 0	120+400	± 0.2	APPR BY	DATE
	▽ = 0	ANGULAR DIMENSIONS		MDUGO	04/02/2014
	⊠ = 0	<10	± 1°	DRAWING SIZE	FIRST ANGLE PROJECTION
	■ = 0	10+50	± 0°30'	A3	
	▽ = 0	50+120	± 0°20'		
	▽ = 0	120+400	± 0°10'		

molex		
7324.6065.0		
S-EC INSERT 24P FEM		
PRODUCT CUSTOMER DRAWING		
SERIES	MATERIAL NUMBER	CUSTOMER
09360	0936010305	GENERAL MARKET
DOCUMENT NUMBER	DOC TYPE	DOC PART SHEET NUMBER
0936010305	PSD	000 1 OF 1