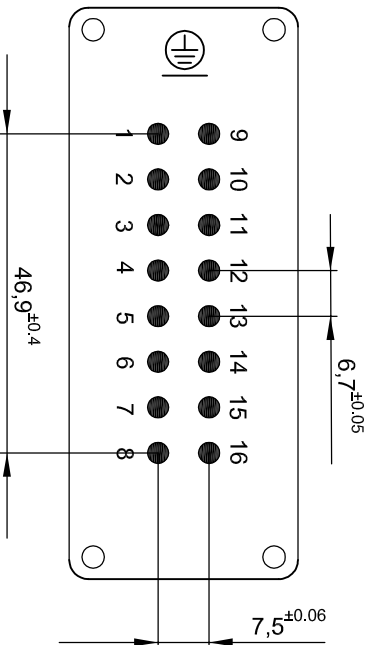
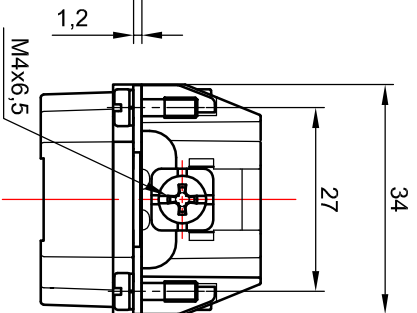
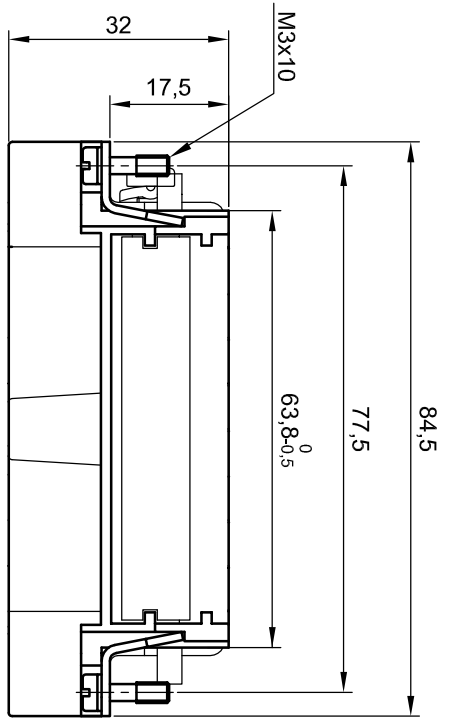


Panel cut out for inserts for use without hood/housing
Foratura di alloggiamento inserti per uso senza custodia



Contact arrangement view from termination side
Disposizione contatti vista lato terminazioni

Ed.	MOD.	DATE	SIGN.						
-	-	-	-						
DRAWN BY				DATE	DIMENSION STYLE				
CHECKED BY				DATE	mm				
APPROVED BY				DATE	SCALE				
					1:1				
molex						Male Inserts for crimp contacts, 16P			
						S-EC series size 16B 77x27, 16A 500V/6kV/3			
						Inserti maschio per contatti a crimpare, 16P			
						serie S-EC grandezza 16B 77x27, 16A 500V/6kV/3			
						7316.6163.0			
						SIZE		A4	
						PAGE		1 di 1	