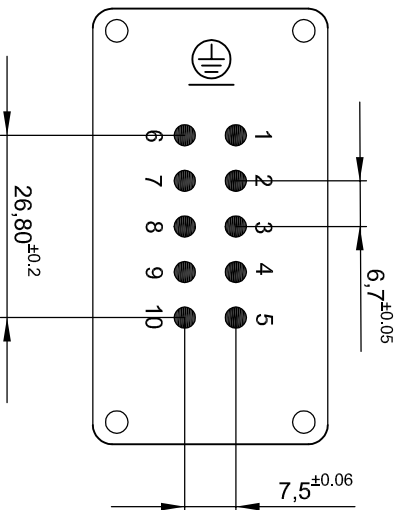
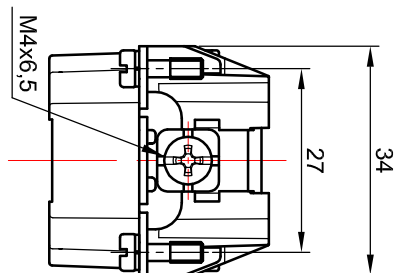
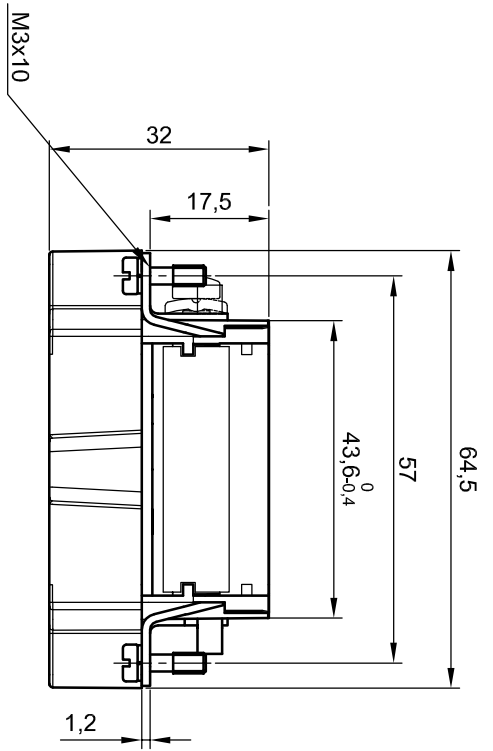


Panel cut out for inserts for use without hood/housing
Foratura di alloggiamento inserti per uso senza custodia



Contact arrangement view from termination side
Disposizione contatti: vista lato terminazioni

Ed.	MOD.	DATE	SIGN.	DRAWN BY	DATE	CHECKED BY	DATE	APPROVED BY	DATE	DIMENSION STYLE	SCALE	SIZE
-	-	-	-	[Signature]	11.02.2014	[Signature]	-	[Signature]	-	mm	1:1	A4
<p>Male inserts for crimp contacts, 10P S-EC series size 10B 57x27, 16A 500V/6kV/3 Inserti maschio per contatti a crimpare, 10P serie S-EC grandezza 10B 57x27, 16A 500V/6kV/3</p>												
<p>molex</p>												
<p>7310.6162.0</p>												
<p>PAGE 1 of 1</p>												