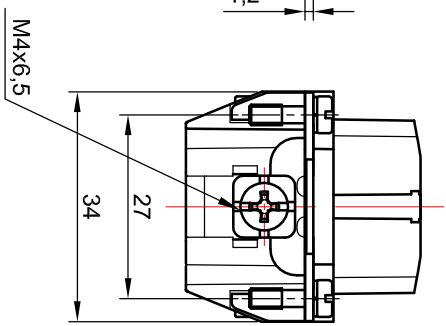
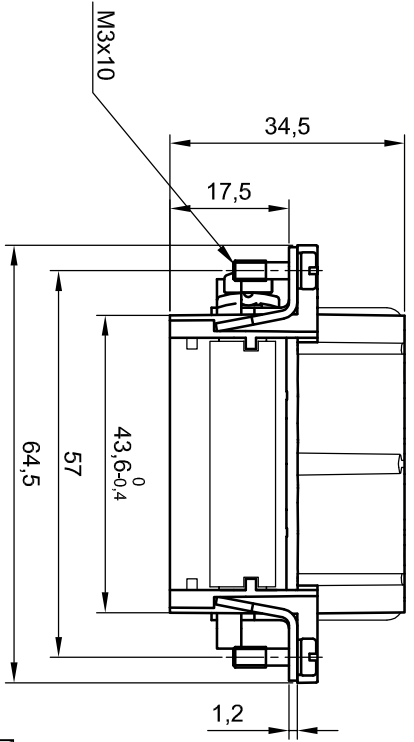
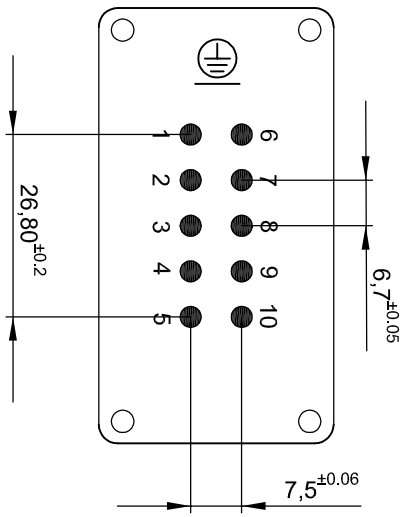


Contact arrangement view from termination side
Disposizione contatti vista lato terminazioni



| Ed. | MOD. | DATE | SIGN. |
|-----|------|------|-------|
| - | - | - | - |
| - | - | - | - |
| - | - | - | - |
| - | - | - | - |

| DRAWN BY | DATE | DIMENSION STYLE |
|-------------|------------|-----------------|
| 22 | 11.02.2014 | mm |
| CHECKED BY | DATE | SCALE |
| - | - | 1:1 |
| APPROVED BY | DATE | |
| - | - | |



Female inserts for crimp contacts, 10P
S-EC series size 10B 57x27, 16A 500V/6kV/3
Inserti femmina per contatti a crimpare, 10P
serie S-EC grandezza 10B 57x27, 16A 500V/6kV/3

7310.6062.0

| SIZE | PAGE |
|------|--------|
| A4 | 1 di 1 |