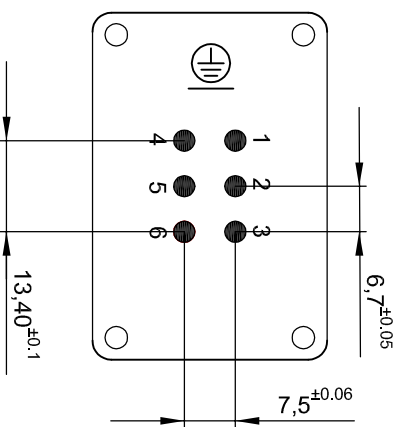
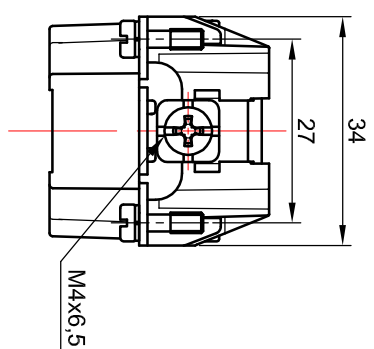
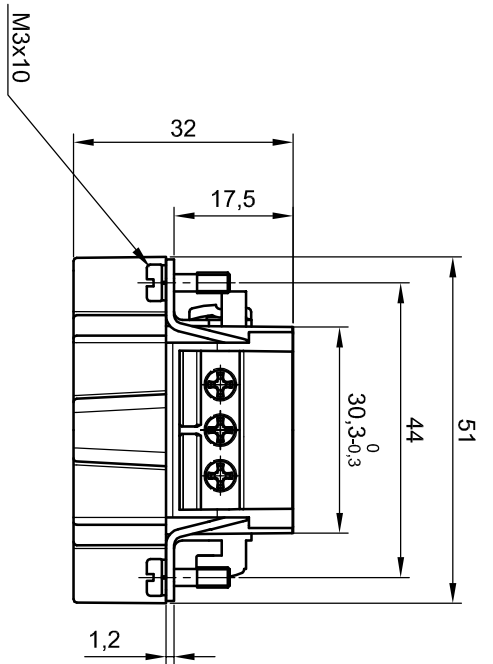


Panel cut out for inserts for use without hood/housing  
Foratura di alloggiamento inserti per uso senza custodia



Contact arrangement view from termination side  
Disposizione contatti vista lato terminazioni

Screw terminals with wire protection  
Terminali a vite con proteggi-filo

Ed.	MOD.	DATE	SIGN.	DRAWN BY	DATE	CHECKED BY	DATE	APPROVED BY	DATE	DIMENSION STYLE	SCALE	SIZE
-	-	-	-	[Signature]	05.02.2014	[Signature]	-	[Signature]	-	mm	1:1	A4
<p>Screw terminal male inserts, 6P S-E series 6B 44x27, 16A (24A) 500V/6KV/3 Inserti maschio con terminali a vite, 6P serie S-E 6B 44x27, 16A (24A) 500V/6KV/3</p>											PAGE	1
<p><b>molex</b></p>											DI	1
<p>7306.6103.0</p>												