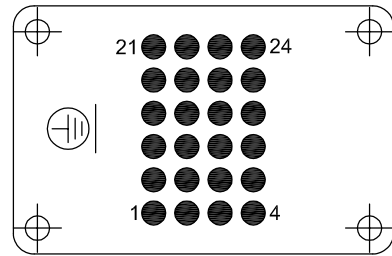
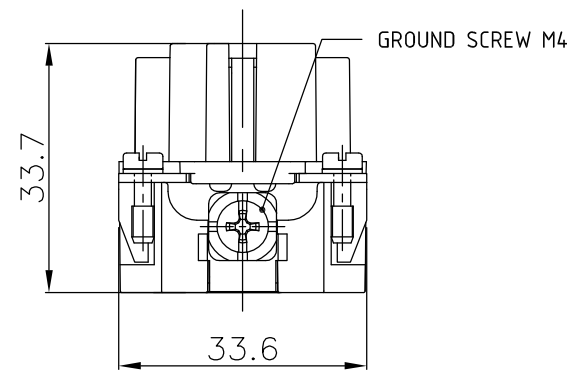
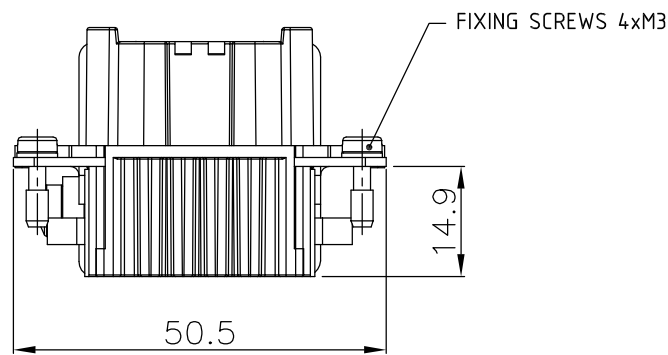
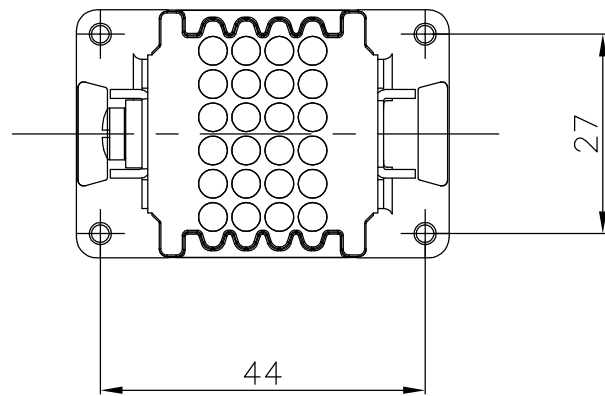
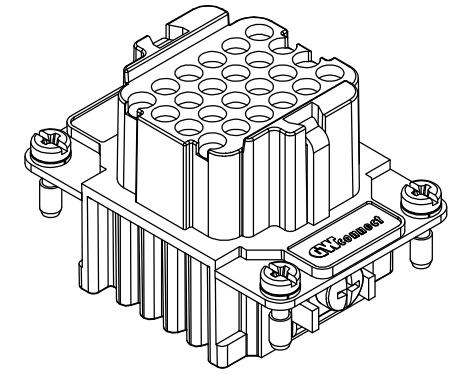
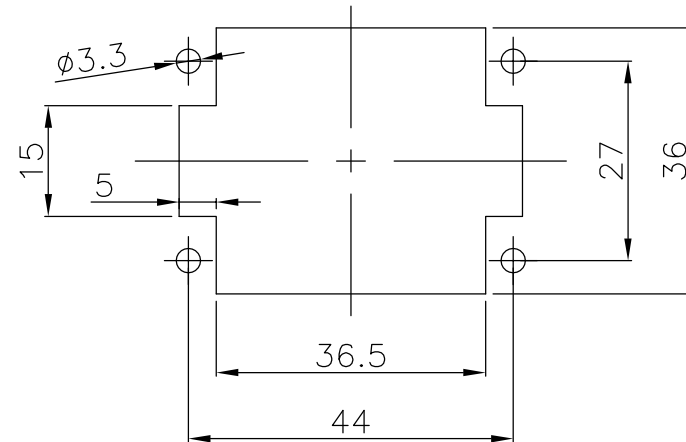


CONTACT ARRANGEMENT VIEW TERMINATION SIDE



PANEL CUT OUT FOR INSERTS WITHOUT USE OF HOOD/HOUSING



TECHNICAL CHARACTERISTICS

Number Of Poles	24 +
Rated Voltage	250V
Rated Current	10A
Contact Resistance IEC 60512-2	≤ 3mΩ
Contact Material & Surface	Copper Alloy Hard Silver Plated
Wire Section	0.14 to 2.5mm ² /26 to 14 AWG
Connector Working Temperature	-40°C to +125°C

THIS DRAWING CONTAINS INFORMATION THAT IS PROPRIETARY TO MOLEX INCORPORATED AND SHOULD NOT BE USED WITHOUT WRITTEN PERMISSION

EC DESCRIPTION EC NO: DRWN: CHKD: APPR: REV:	QUALITY SYMBOLS	GENERAL TOLERANCES ISO 2768-2/F (UNLESS SPECIFIED)	DIMENSION UNITS	SCALE	 7124.4040.0 S-DD INSERT 24P FEM			
	▽ = 0	Dim. Tol.	MM	1:1				
	▽ = 0	0.5+3	± 0.05	DRWN BY	DATE	PRODUCT CUSTOMER DRAWING		
	▽ = 0	3+6	± 0.05	ELONGHI	13/03/2017			
	▽ = 0	6+30	± 0.1	CHK'D BY	DATE	SERIES MATERIAL NUMBER CUSTOMER 09360 0936010093 GENERAL MARKET		
	▽ = 0	30+120	± 0.15	AMELZI	13/03/2017			
	▽ = 0	120+400	± 0.2	APPR BY	DATE	DOCUMENT NUMBER DOC TYPE DOC PART SHEET NUMBER 0936010093 PSD 000 1 OF 1		
	▽ = 0	ANGULAR DIMENSIONS	AMELZI	13/03/2017				
	▽ = 0	<10	± 1°	DRAWING SIZE	FIRST ANGLE PROJECTION	A3		
	▽ = 0	10+50	± 0°30'					
▽ = 0	50+120	± 0°20'						
▽ = 0	120+400	± 0°10'						