

9 8 7 6 5 4 3 2 1

E

E

D

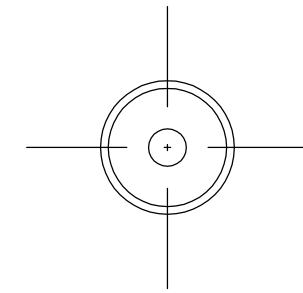
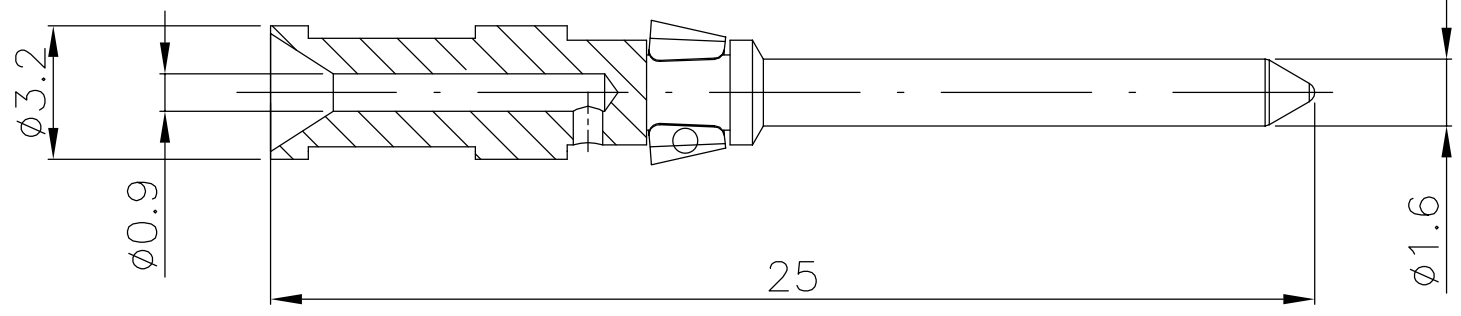
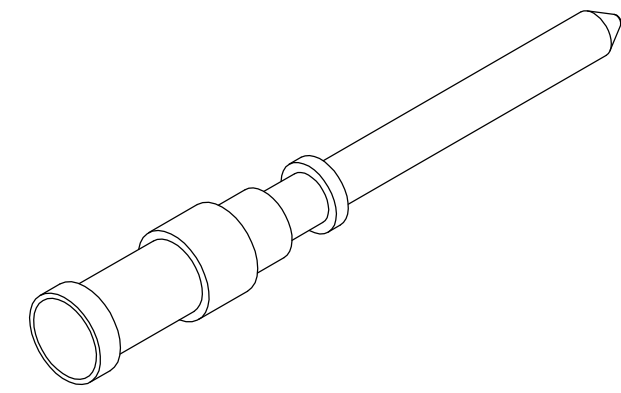
D

C

C

B

B



A

A

TECHNICAL CHARACTERISTICS

| | |
|----------------------------|--------------------------|
| Stripping Length | 8mm |
| Rated Current | 10A |
| Wire Section | 26-22AWG |
| Contact Material & Surface | Copper Alloy/Hard Silver |

THIS DRAWING CONTAINS INFORMATION THAT IS PROPRIETARY TO MOLEX INCORPORATED AND SHOULD NOT BE USED WITHOUT WRITTEN PERMISSION

| | | | | | | | | | |
|----------------|-----------------|--|------------------------|-----------------|---------------------------------------|----------------|----------|-------------|--------------|
| EC DESCRIPTION | QUALITY SYMBOLS | GENERAL TOLERANCES ISO 2768-2/F (UNLESS SPECIFIED) | DIMENSION UNITS | SCALE | molex | | | | |
| | ▽ = 0 | Dim. Tol. | MM | 4:1 | | | | 7100.4211.0 | |
| | ▽ = 0 | 0.5+3 ± 0.05 | DRWN BY | DATE | 10A MALE TURNED CRIMP CNT Ag 26-22AWG | | | | |
| | ▽ = 0 | 3+6 ± 0.05 | ELONGHI | 13/03/2017 | | | | | |
| | ▽ = 0 | 6+30 ± 0.1 | CHK'D BY | DATE | PRODUCT CUSTOMER DRAWING | | | | |
| ▽ = 0 | 30+120 ± 0.15 | AMELZI | 13/03/2017 | SERIES | MATERIAL NUMBER | CUSTOMER | | | |
| ▽ = 0 | 120+400 ± 0.2 | APPR BY | DATE | 09360 | 0936010051 | GENERAL MARKET | | | |
| AMELZI | 13/03/2017 | DRAWING SIZE | FIRST ANGLE PROJECTION | DOCUMENT NUMBER | | | DOC TYPE | DOC PART | SHEET NUMBER |
| AMELZI | 13/03/2017 | A4 | | 0936010051 | | | PSD | 000 | 1 OF 1 |
| EC NO: | DRWN: | CHKD: | APPR: | 120+400 ± 0°10' | | | | | |
| | | | | | | | | | |
| | | | | | | | | | |

9 8 7 6 5 4 3 2 1