

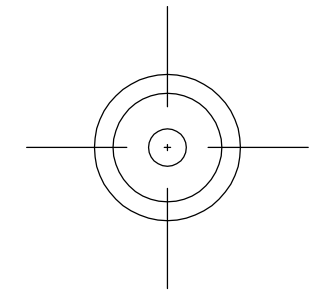
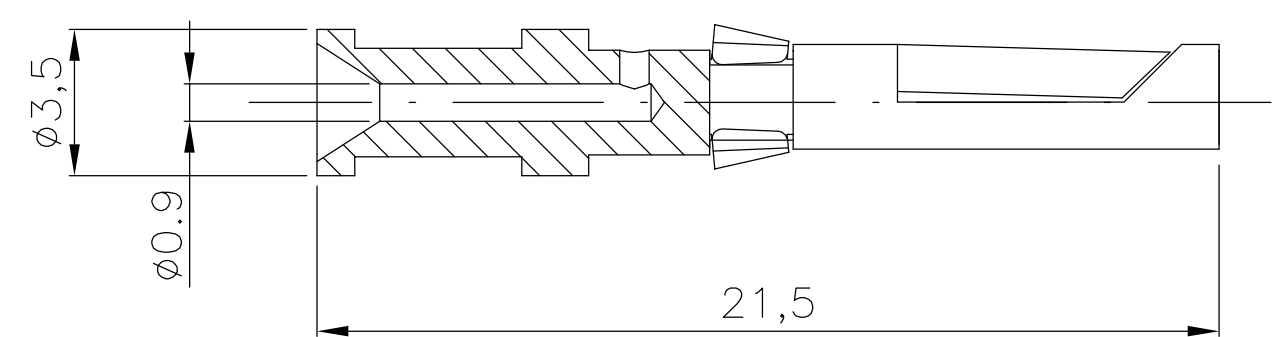
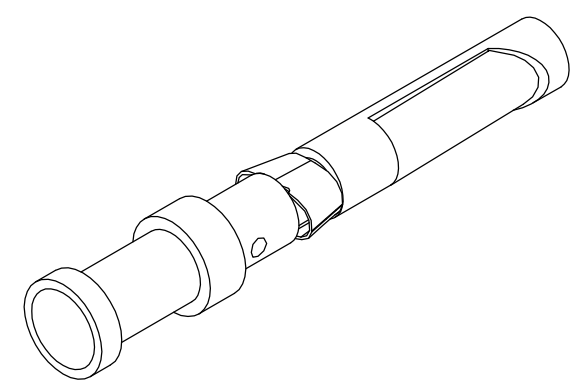
9 8 7 6 5 4 3 2 1

E

D

C

B



A

A

| TECHNICAL CHARACTERISTICS | |
|----------------------------|--------------------------|
| Stripping Length | 8mm |
| Rated Current | 10A |
| Wire Section | 26-22AWG |
| Contact Material & Surface | Copper Alloy/Hard Silver |

THIS DRAWING CONTAINS INFORMATION THAT IS PROPRIETARY TO MOLEX INCORPORATED AND SHOULD NOT BE USED WITHOUT WRITTEN PERMISSION

| | | | | | | | | |
|---|--------------------|--|-----------------------|------------------------|--|-----------------|-----------------|------------------------|
| EC DESCRIPTION EC NO: DRWN: CHKD: APPR: REV: | QUALITY SYMBOLS | GENERAL TOLERANCES ISO 2768-2/F (UNLESS SPECIFIED) | DIMENSION UNITS MM | SCALE 4:1 | molex 7100.4201.0 10A FEM. TURNED CRIMP CNT Ag 26-22AWG | | | |
| | ▽ = 0 | Dim. Tol. | DRWN BY ELONGHI | DATE 13/03/2017 | | | | |
| | ▽ = 0 | 0.5+3 ± 0.05 | CHK'D BY AMELZI | DATE 13/03/2017 | PRODUCT CUSTOMER DRAWING SERIES: 09360 MATERIAL NUMBER: 0936010039 CUSTOMER: GENERAL MARKET | | | |
| | ▽ = 0 | 3+6 ± 0.05 | APPR BY AMELZI | DATE 13/03/2017 | | | | |
| | ▽ = 0 | 6+30 ± 0.1 | DRAWING SIZE A4 | FIRST ANGLE PROJECTION | DOCUMENT NUMBER 0936010039 | DOC TYPE PSD | DOC PART 000 | SHEET NUMBER 1 OF 1 |
| | ▽ = 0 | 30+120 ± 0.15 | <10 ± 1° | | | | | |
| ▽ = 0 | 120+400 ± 0.2 | 10+50 ± 0°30' | | | | | | |
| ▽ = 0 | ANGULAR DIMENSIONS | 50+120 ± 0°20' | | | | | | |
| ▽ = 0 | □ = 0 | 120+400 ± 0°10' | | | | | | |

9 8 7 6 5 4 3 2 1