

RJ45 connection: 22 mm, plastic, black



Product brand name	SIRIUS ACT
Product designation	RJ45 connection
Design of the product	RJ-45 Cat. 6
Product type designation	3SU1
Product line	Plastic, black, 22 mm

Actuator	
Outer diameter of the actuating element	29.45 mm

General technical data	
Protection class IP	IP65

Ambient conditions	
Ambient temperature	
<ul style="list-style-type: none"> during operation during storage 	<p>-25 ... +70 °C</p> <p>-40 ... +80 °C</p>

Installation/ mounting/ dimensions	
Shape of the installation opening	round
Mounting diameter	22.3 mm
Mounting height	11.7 mm
Installation width	29.45 mm

Installation depth	28.35 mm
--------------------	----------

Accessories

Material of accessory	Plastic
Color of accessory	black

Certificates/ approvals

General Product Approval	Declaration of Conformity
--------------------------	---------------------------



[Miscellaneous](#)

Test Certificates	Marine / Shipping
-------------------	-------------------

[Type Test Certificates/Test Report](#)



Marine / Shipping	other
-------------------	-------

[Confirmation](#)



Further information

Information- and Downloadcenter (Catalogs, Brochures,...)

<https://www.siemens.com/ic10>

Industry Mall (Online ordering system)

<https://mall.industry.siemens.com/mall/en/en/Catalog/product?mlfb=3SU1900-0GB10-0AA0>

Cax online generator

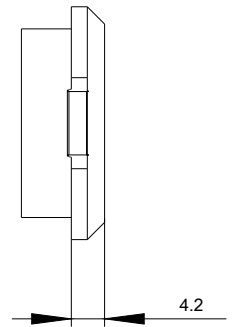
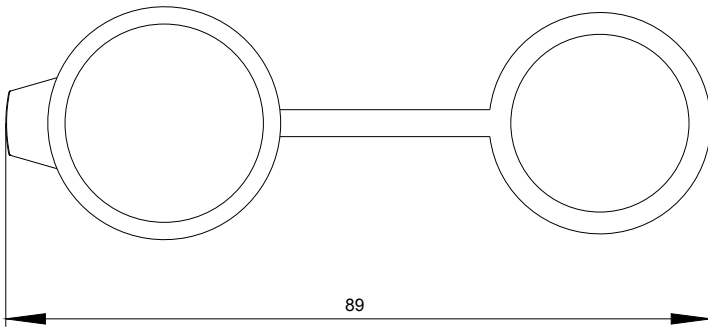
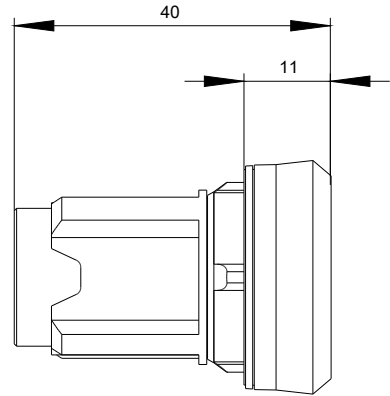
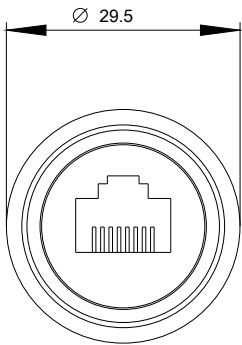
<http://support.automation.siemens.com/WW/CAXorder/default.aspx?lang=en&mlfb=3SU1900-0GB10-0AA0>

Service&Support (Manuals, Certificates, Characteristics, FAQs,...)

<https://support.industry.siemens.com/cs/ww/en/ps/3SU1900-0GB10-0AA0>

Image database (product images, 2D dimension drawings, 3D models, device circuit diagrams, EPLAN macros, ...)

http://www.automation.siemens.com/bilddb/cax_de.aspx?mlfb=3SU1900-0GB10-0AA0&lang=en



last modified:

02/06/2020