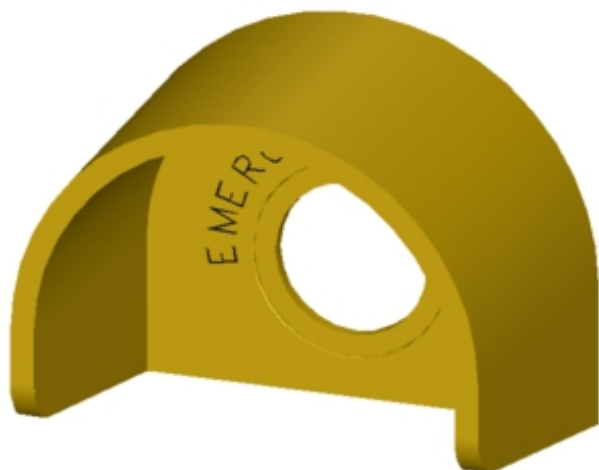


Protective collar for EMERGENCY STOP mushroom pushbutton, with and without RONIS lock, 22 mm design, yellow, plastic



Product brand name	SIRIUS ACT
Product designation	Protective collar
Design of the product	for EMERGENCY STOP mushroom pushbuttons without lock or with RONIS lock
Product type designation	3SU1
General technical data	
Protection class IP	IP66, IP67, IP69(IP69K)
Degree of protection NEMA rating	1, 2, 3, 3R, 4, 4X, 12
Installation/ mounting/ dimensions	
Height	58.9 mm
Width	74.8 mm
Depth	47.5 mm
Accessories	
Material of accessory	Plastic
Color of accessory	yellow
Certificates/ approvals	

General Product Approval	Declaration of Conformity	Test Certificates
--------------------------	---------------------------	-------------------



[Miscellaneous](#)

[Type Test Certificates/Test Report](#)

Marine / Shipping



other

[Confirmation](#)

Further information

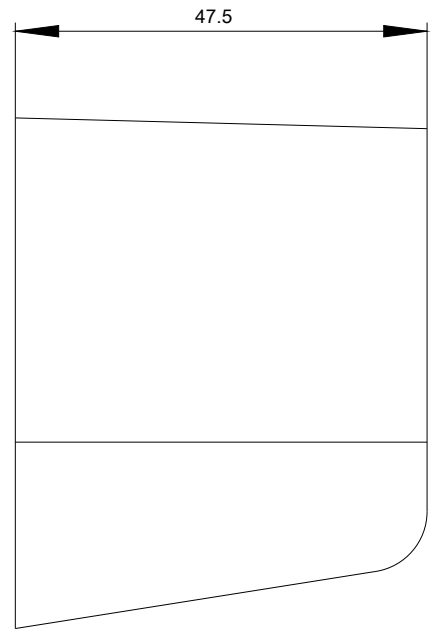
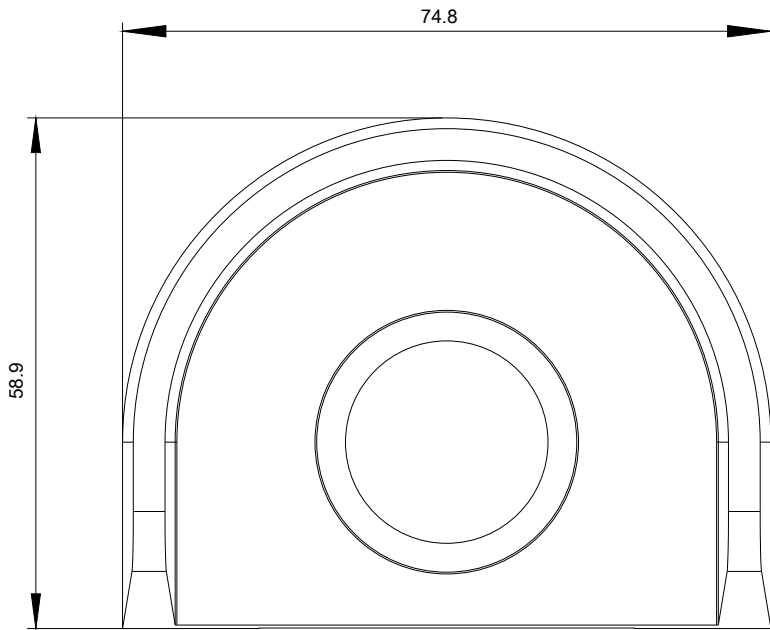
Information- and Downloadcenter (Catalogs, Brochures,...)
<https://www.siemens.com/ic10>

Industry Mall (Online ordering system)
<https://mall.industry.siemens.com/mall/en/en/Catalog/product?mlfb=3SU1900-0DY30-0AA0>

Cax online generator
<http://support.automation.siemens.com/WW/CAXorder/default.aspx?lang=en&mlfb=3SU1900-0DY30-0AA0>

Service&Support (Manuals, Certificates, Characteristics, FAQs,...)
<https://support.industry.siemens.com/cs/ww/en/ps/3SU1900-0DY30-0AA0>

Image database (product images, 2D dimension drawings, 3D models, device circuit diagrams, EPLAN macros, ...)
http://www.automation.siemens.com/bilddb/cax_de.aspx?mlfb=3SU1900-0DY30-0AA0&lang=en



last modified:

03/06/2020