

Sealable cap for pushbutton, flat, 22 mm, black



| | |
|--------------------------|----------------------------------|
| Product brand name | SIRIUS ACT |
| Product designation | Sealable cap |
| Design of the product | for pushbuttons, flat and raised |
| Product type designation | 3SU1 |

General technical data

| | |
|----------------------------------|-------------------------|
| Protection class IP | IP66, IP67, IP69(IP69K) |
| Degree of protection NEMA rating | 1, 2, 3, 3R, 4, 4X, 12 |

Installation/ mounting/ dimensions

| | |
|--------|---------|
| Height | 39.2 mm |
| Width | 32.5 mm |
| Depth | 22 mm |

Accessories

| | |
|-----------------------|---------|
| Material of accessory | Plastic |
| Color of accessory | black |

Certificates/ approvals

| General Product Approval | Declaration of Conformity | Test Certificates |
|--------------------------|---------------------------|-------------------|
|--------------------------|---------------------------|-------------------|



[Miscellaneous](#)

[Type Test Certificates/Test Report](#)

Marine / Shipping



other

[Confirmation](#)

Further information

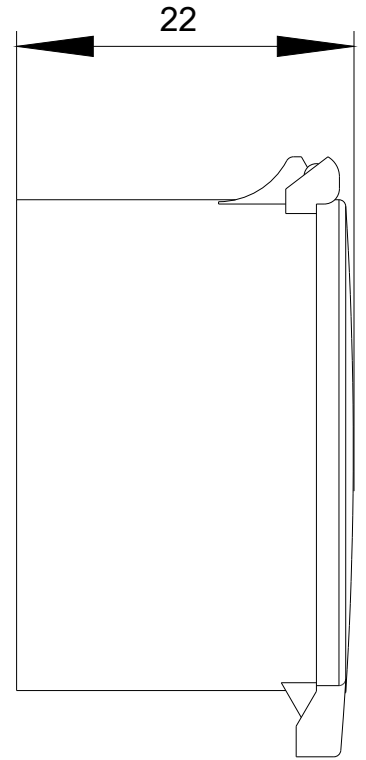
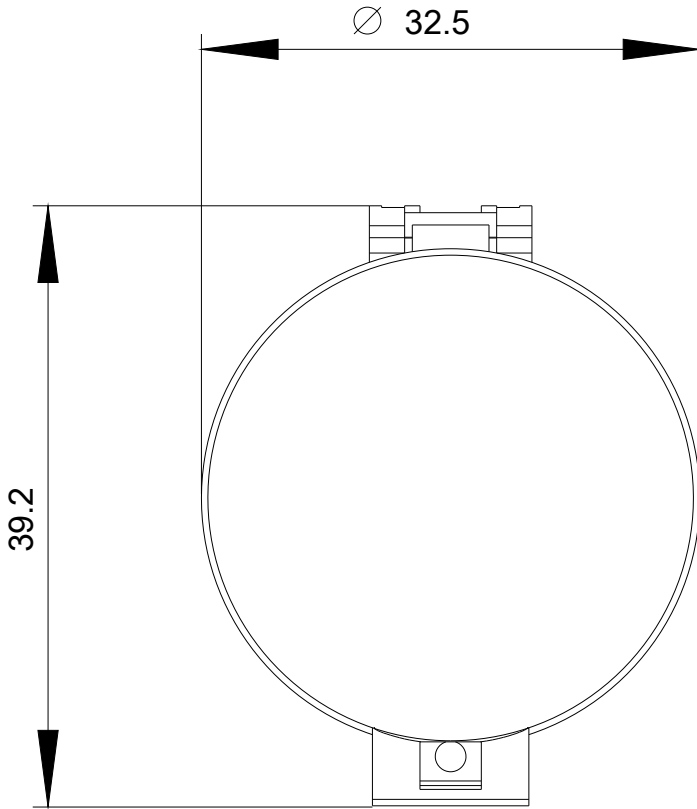
Information- and Downloadcenter (Catalogs, Brochures,...)
<https://www.siemens.com/ic10>

Industry Mall (Online ordering system)
<https://mall.industry.siemens.com/mall/en/en/Catalog/product?mlfb=3SU1900-0DA10-0AA0>

Cax online generator
<http://support.automation.siemens.com/WW/CAXorder/default.aspx?lang=en&mlfb=3SU1900-0DA10-0AA0>

Service&Support (Manuals, Certificates, Characteristics, FAQs,...)
<https://support.industry.siemens.com/cs/ww/en/ps/3SU1900-0DA10-0AA0>

Image database (product images, 2D dimension drawings, 3D models, device circuit diagrams, EPLAN macros, ...)
http://www.automation.siemens.com/bilddb/cax_de.aspx?mlfb=3SU1900-0DA10-0AA0&lang=en



last modified:

03/06/2020