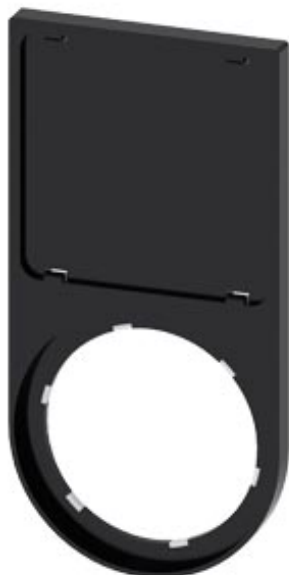


Label holder, 22mm, flat, Frame rounded off at the bottom black, for labeling plate 27mm x 27mm, for snapping on



| | |
|--------------------------|-------------------------------|
| Product brand name | SIRIUS ACT |
| Product designation | Label holder |
| Design of the product | for labeling plate 27 x 27 mm |
| Product type designation | 3SU1 |

General technical data

| | |
|---|-------------------------|
| Protection class IP | IP66, IP67, IP69(IP69K) |
| Degree of protection NEMA rating | 1, 2, 3, 3R, 4, 4X, 12 |
| Shock resistance | Category 1, Class B |
| <ul style="list-style-type: none"> for railway applications acc. to DIN EN 61373 | |
| Vibration resistance | Category 1, Class B |
| <ul style="list-style-type: none"> for railway applications acc. to DIN EN 61373 | |

Installation/ mounting/ dimensions

| | |
|--------|---------|
| Height | 59.8 mm |
| Width | 29.8 mm |

Accessories

| | |
|-----------------------|---------------|
| Material of accessory | Plastic |
| Shape of label holder | rounded below |
| Color of label holder | Black |

Mounting type of label

snap on

Certificates/ approvals

General Product Approval

Declaration of Conformity

Test Certificates



CSA



UL



EG-Konf.

[Miscellaneous](#)

[Type Test Certificates/Test Report](#)

Marine / Shipping



ABS



LRS



PRS



RINA



RMRS



DNV-GL
DNVGL.COM/AF

other

[Confirmation](#)

Further information

Information- and Downloadcenter (Catalogs, Brochures,...)

<https://www.siemens.com/ic10>

Industry Mall (Online ordering system)

<https://mall.industry.siemens.com/mall/en/en/Catalog/product?mfb=3SU1900-0AT10-0AA0>

Cax online generator

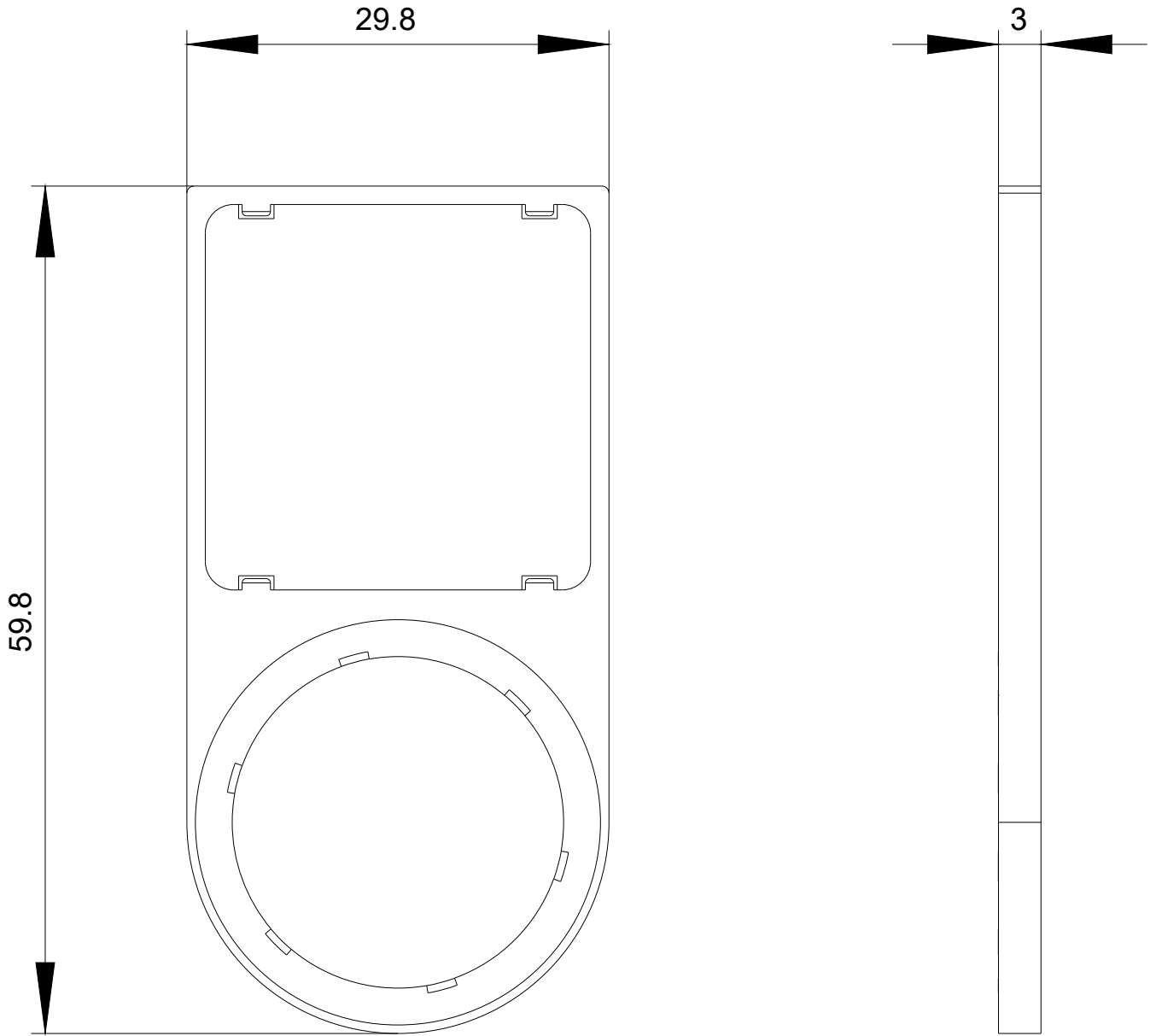
<http://support.automation.siemens.com/WW/CAXorder/default.aspx?lang=en&mfb=3SU1900-0AT10-0AA0>

Service&Support (Manuals, Certificates, Characteristics, FAQs,...)

<https://support.industry.siemens.com/cs/ww/en/ps/3SU1900-0AT10-0AA0>

Image database (product images, 2D dimension drawings, 3D models, device circuit diagrams, EPLAN macros, ...)

http://www.automation.siemens.com/bilddb/cax_de.aspx?mfb=3SU1900-0AT10-0AA0&lang=en



last modified:

03/06/2020