

Label holder, 22mm, frame rectangular at the bottom, black, for labeling plate 17.5 mm x 27 mm, for gluing



Product brand name	SIRIUS ACT
Product designation	Label holder
Design of the product	for labeling plate 17.5 x 27 mm
Product type designation	3SU1

### General technical data

Protection class IP	IP66, IP67, IP69(IP69K)
Degree of protection NEMA rating	1, 2, 3, 3R, 4, 4X, 12
Shock resistance	Category 1, Class B
<ul style="list-style-type: none"> <li>for railway applications acc. to DIN EN 61373</li> </ul>	
Vibration resistance	Category 1, Class B
<ul style="list-style-type: none"> <li>for railway applications acc. to DIN EN 61373</li> </ul>	

### Installation/ mounting/ dimensions

Height	49.8 mm
Width	29.8 mm

### Accessories

Material of accessory	Plastic
Shape of label holder	square at bottom
Color of label holder	Black

Mounting type of label

stick

## Certificates/ approvals

General Product Approval

Declaration of Conformity

Test Certificates



CSA



UL



EG-Konf.

[Miscellaneous](#)

[Type Test Certificates/Test Report](#)

## Marine / Shipping



ABS



LRS



PRS



RINA



RMRS



DNV-GL  
DNVGL.COM/AF

## other

[Confirmation](#)

## Further information

**Information- and Downloadcenter (Catalogs, Brochures,...)**

<https://www.siemens.com/ic10>

**Industry Mall (Online ordering system)**

<https://mall.industry.siemens.com/mall/en/en/Catalog/product?mfb=3SU1900-0AP10-0AA0>

**Cax online generator**

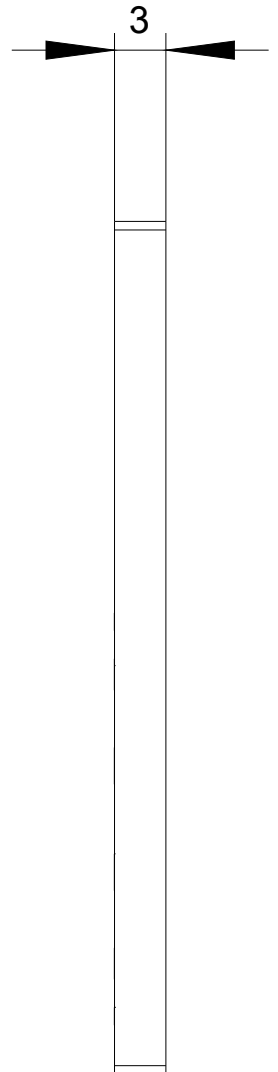
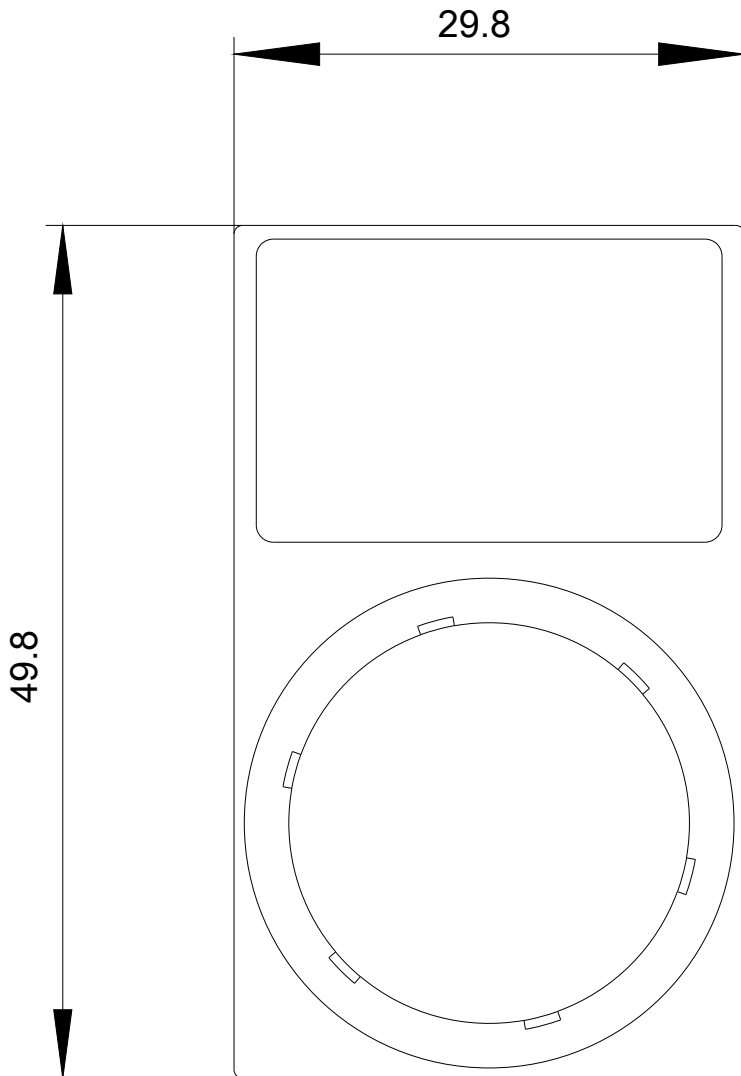
<http://support.automation.siemens.com/WW/CAXorder/default.aspx?lang=en&mfb=3SU1900-0AP10-0AA0>

**Service&Support (Manuals, Certificates, Characteristics, FAQs,...)**

<https://support.industry.siemens.com/cs/ww/en/ps/3SU1900-0AP10-0AA0>

**Image database (product images, 2D dimension drawings, 3D models, device circuit diagrams, EPLAN macros, ...)**

[http://www.automation.siemens.com/bilddb/cax\\_de.aspx?mfb=3SU1900-0AP10-0AA0&lang=en](http://www.automation.siemens.com/bilddb/cax_de.aspx?mfb=3SU1900-0AP10-0AA0&lang=en)



last modified:

03/06/2020