

Inscription plate for illuminated pushbutton, round, milky with black font, with graphic symbol: water tap



|                          |              |
|--------------------------|--------------|
| Product brand name       | SIRIUS ACT   |
| Product designation      | Insert label |
| Product type designation | 3SU1         |

### General technical data

|   |                     |
|---|---------------------|
| Shock resistance  |                     |
| <ul style="list-style-type: none"> <li>for railway applications acc. to DIN EN 61373</li> </ul> | Category 1, Class B |
| Vibration resistance  |                     |
| <ul style="list-style-type: none"> <li>for railway applications acc. to DIN EN 61373</li> </ul> | Category 1, Class B |

### Accessories

|                              |                               |
|------------------------------|-------------------------------|
| Material of accessory        | Plastic                       |
| Mounting type of label       | insert                        |
| Marking of inscription plate | SYMBOL: WATER INLET           |
| Shape of inscription plate   | Round                         |
| Color of inscription plate   | milky/black (label/lettering) |
| Printed ISO symbols          | SYMBOL: WATER INTAKE          |

### Certificates/ approvals

| General Product Approval | Declaration of Conformity | Test Certificates |
|--------------------------|---------------------------|-------------------|
|--------------------------|---------------------------|-------------------|



CSA



UL



EG-Konf.

[Miscellaneous](#)

[Type Test Certificates/Test Report](#)

### Marine / Shipping



ABS



LRS



PRS



RINA



RMRS



DNVGL.COM/AF

### other

[Confirmation](#)

### Further information

**Information- and Downloadcenter (Catalogs, Brochures,...)**

<https://www.siemens.com/ic10>

**Industry Mall (Online ordering system)**

<https://mall.industry.siemens.com/mall/en/en/Catalog/product?mlfb=3SU1900-0AB71-0RC0>

**Cax online generator**

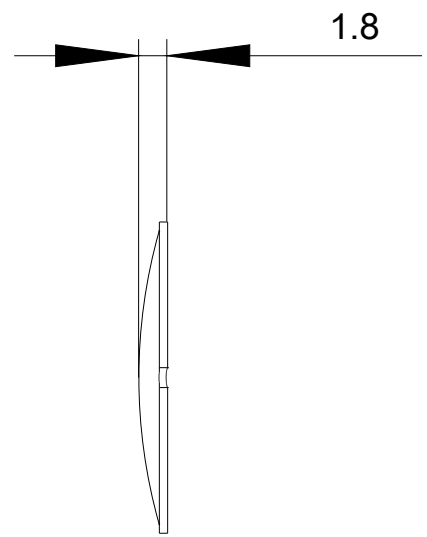
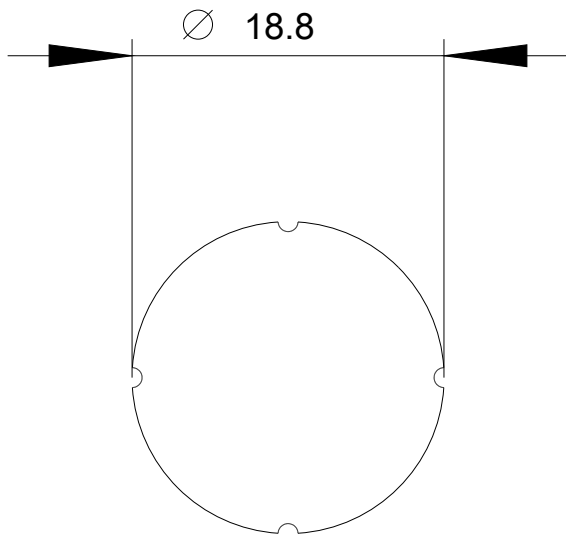
<http://support.automation.siemens.com/WW/CAXorder/default.aspx?lang=en&mlfb=3SU1900-0AB71-0RC0>

**Service&Support (Manuals, Certificates, Characteristics, FAQs,...)**

<https://support.industry.siemens.com/cs/ww/en/ps/3SU1900-0AB71-0RC0>

**Image database (product images, 2D dimension drawings, 3D models, device circuit diagrams, EPLAN macros, ...)**

[http://www.automation.siemens.com/bilddb/cax\\_de.aspx?mlfb=3SU1900-0AB71-0RC0&lang=en](http://www.automation.siemens.com/bilddb/cax_de.aspx?mlfb=3SU1900-0AB71-0RC0&lang=en)



last modified:

03/06/2020