

Inscription plate for illuminated pushbutton, round, milky with black font, with graphic symbol: Increase, Plus



| | |
|--------------------------|--------------|
| Product brand name | SIRIUS ACT |
| Product designation | Insert label |
| Product type designation | 3SU1 |

General technical data

| | |
|---|---------------------|
| Shock resistance <ul style="list-style-type: none"> for railway applications acc. to DIN EN 61373 | Category 1, Class B |
| Vibration resistance <ul style="list-style-type: none"> for railway applications acc. to DIN EN 61373 | Category 1, Class B |

Accessories

| | |
|------------------------------|-------------------------------|
| Material of accessory | Plastic |
| Mounting type of label | insert |
| Marking of inscription plate | SYMBOL: INCREASE, PLUS |
| Shape of inscription plate | Round |
| Color of inscription plate | milky/black (label/lettering) |
| Printed ISO symbols | SYMBOL: INCREASE, PLUS |

Certificates/ approvals

| General Product Approval | Declaration of Conformity | Test Certificates |
|--------------------------|---------------------------|-------------------|
|--------------------------|---------------------------|-------------------|



[Miscellaneous](#)

[Type Test Certificates/Test Report](#)

Marine / Shipping



other

[Confirmation](#)

Further information

Information- and Downloadcenter (Catalogs, Brochures,...)

<https://www.siemens.com/ic10>

Industry Mall (Online ordering system)

<https://mall.industry.siemens.com/mall/en/en/Catalog/product?mlfb=3SU1900-0AB71-0QX0>

Cax online generator

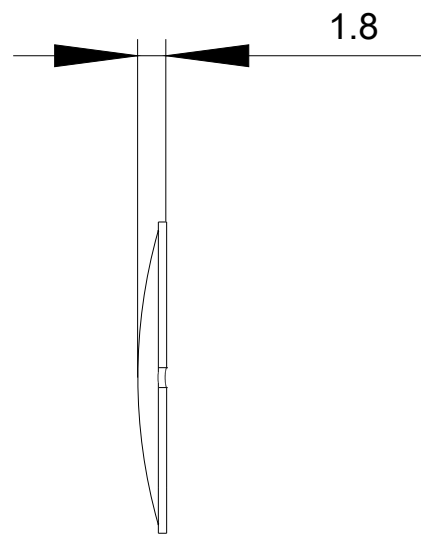
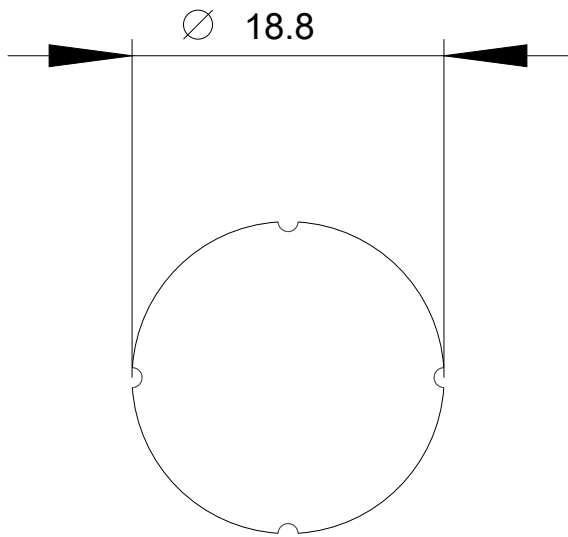
<http://support.automation.siemens.com/WW/CAXorder/default.aspx?lang=en&mlfb=3SU1900-0AB71-0QX0>

Service&Support (Manuals, Certificates, Characteristics, FAQs,...)

<https://support.industry.siemens.com/cs/ww/en/ps/3SU1900-0AB71-0QX0>

Image database (product images, 2D dimension drawings, 3D models, device circuit diagrams, EPLAN macros, ...)

http://www.automation.siemens.com/bilddb/cax_de.aspx?mlfb=3SU1900-0AB71-0QX0&lang=en



last modified:

03/06/2020