

Inscription plate for illuminated pushbutton, round, milky with black font, with inscription: On



Product brand name	SIRIUS ACT
Product designation	Insert label
Product type designation	3SU1

### General technical data

<b>Shock resistance</b> <ul style="list-style-type: none"> <li>• for railway applications acc. to DIN EN 61373</li> </ul>	Category 1, Class B
<b>Vibration resistance</b> <ul style="list-style-type: none"> <li>• for railway applications acc. to DIN EN 61373</li> </ul>	Category 1, Class B

### Accessories

Material of accessory	Plastic
Mounting type of label	insert
Marking of inscription plate	ON.
Shape of inscription plate	Round
Color of inscription plate	milky/black (label/lettering)

### Certificates/ approvals

General Product Approval	Declaration of Conformity	Test Certificates
--------------------------	---------------------------	-------------------



[Miscellaneous](#)

[Type Test Certificates/Test Report](#)

### Marine / Shipping



### other

[Confirmation](#)

### Further information

**Information- and Downloadcenter (Catalogs, Brochures,...)**

<https://www.siemens.com/ic10>

**Industry Mall (Online ordering system)**

<https://mall.industry.siemens.com/mall/en/en/Catalog/product?mlfb=3SU1900-0AB71-0DJ0>

**Cax online generator**

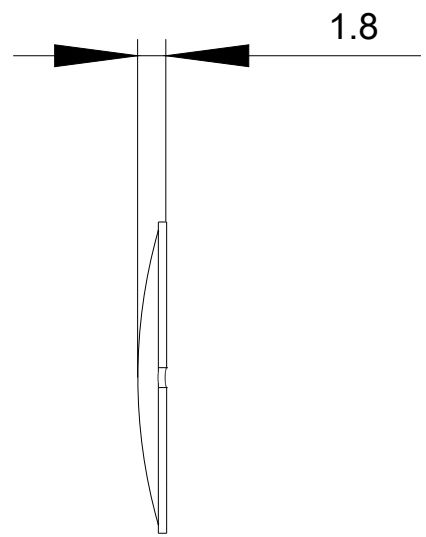
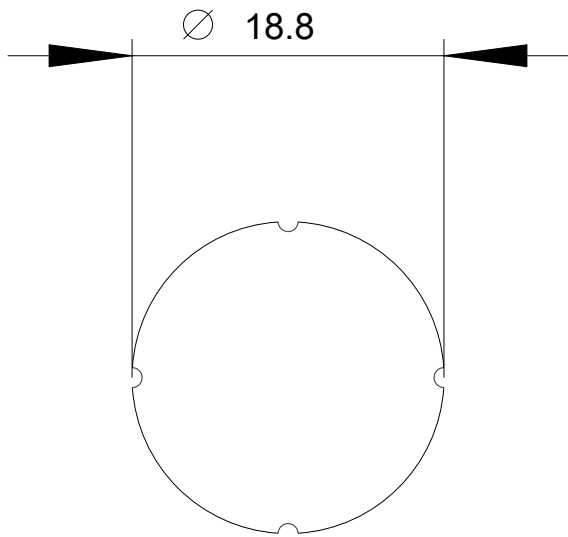
<http://support.automation.siemens.com/WW/CAXorder/default.aspx?lang=en&mlfb=3SU1900-0AB71-0DJ0>

**Service&Support (Manuals, Certificates, Characteristics, FAQs,...)**

<https://support.industry.siemens.com/cs/ww/en/ps/3SU1900-0AB71-0DJ0>

**Image database (product images, 2D dimension drawings, 3D models, device circuit diagrams, EPLAN macros, ...)**

[http://www.automation.siemens.com/bilddb/cax\\_de.aspx?mlfb=3SU1900-0AB71-0DJ0&lang=en](http://www.automation.siemens.com/bilddb/cax_de.aspx?mlfb=3SU1900-0AB71-0DJ0&lang=en)



last modified:

03/06/2020