

Enclosure for command devices, 22 mm, round, Enclosure material metal, enclosure top part gray, 1 control point metal, A=Pushbutton white, 1 NO, screw terminal, floor mounting, label: I, 1xM20 each on top and bottom, Label enclosed



| | |
|--------------------------------------|---|
| Product brand name | SIRIUS ACT |
| Product designation | Enclosures |
| Product type designation | 3SU1 |
| Manufacturer's article number | <ul style="list-style-type: none"> • of supplied contact module A2 = 3SU1400-2AA10-1BA0 3SU1400-2AA10-1BA0 • of supplied contact module at the command point A 2 • of the supplied holder A = 3SU1550-0AA10-0AA0 3SU1550-0AA10-0AA0 • of the supplied holder at the command point A 3SU1050-0AB60-0AA0 • of the supplied actuator 3SU1050-0AB60-0AA0 • of the supplied actuator at the command point A 3SU1851-0AA00-0AB1 • of supplied empty enclosure A = 3SU1900-0AF16-0QB0 3SU1900-0AF16-0QB0 • of supplied accessory • of the supplied accessories at the command point A |

| | |
|-------------------------------------|-----------------------|
| Enclosure | |
| Design of the housing | with recess for label |
| Shape of the enclosure front | Square |

| | |
|---------------------------------------|----------|
| Material of the enclosure | metal |
| Number of command points | 1 |
| Product component | |
| • EMERGENCY STOP device | No |
| • protective collar | No |
| Color | |
| • of top part of the enclosure | grey |
| Delivery state | |
| • as a kit | No |
| • pre-wired on strip terminal | No |
| Mounting type of the enclosure | Vertical |

Actuator

| | |
|--|------------|
| Design of the operating mechanism | Pushbutton |
| Suitability for use EMERGENCY OFF switch | No |
| Product feature | |
| • lockout | No |
| Product extension optional Light source | No |
| Color | |
| • of the actuating element | white |
| Material of the actuating element | plastic |
| Shape of the actuating element | round |
| Number of contact modules | 1 |

Front ring

| | |
|-------------------------------------|-------------------|
| Product component front ring | Yes |
| Design of the front ring | Standard |
| Material of the front ring | Metal, high gloss |
| Color of the front ring | silver |

Holder

| | |
|-------------------------------|-------|
| Material of the holder | Metal |
|-------------------------------|-------|

Display

| | |
|------------------------------|---|
| Number of LED modules | 0 |
|------------------------------|---|

General technical data

| | |
|---|-----------------------------------|
| Product function | |
| • positive opening | No |
| • EMERGENCY OFF function | No |
| • EMERGENCY STOP function | No |
| Protection class IP | IP66, IP67, IP69(IP69K) |
| Degree of protection NEMA rating | 1, 2, 3, 3R, 4, 4X, 12, 13 |
| Shock resistance | |
| • acc. to IEC 60068-2-27 | Sinusoidal half-wave 50 g / 11 ms |
| • for railway applications acc. to DIN EN 61373 | Category 1, Class B |

| | |
|---|--|
| Vibration resistance | |
| <ul style="list-style-type: none"> • acc. to IEC 60068-2-6 • for railway applications acc. to DIN EN 61373 | 10 ... 500 Hz: 5g Category 1, Class B |
| Reference code acc. to DIN EN 81346-2 | S |
| Reference code acc. to DIN EN 61346-2 | S |
| Continuous current of the C characteristic MCB | 10 A; for a short-circuit current smaller than 400 A |
| Continuous current of the quick DIAZED fuse link | 10 A |
| Continuous current of the DIAZED fuse link gG | 10 A |
| Operating voltage | |
| <ul style="list-style-type: none"> • at AC <ul style="list-style-type: none"> — at 50 Hz rated value — at 60 Hz rated value • at DC <ul style="list-style-type: none"> — rated value | 5 ... 500 V 5 ... 500 V 5 ... 500 V |

| | |
|---|--------------|
| Auxiliary circuit | |
| Design of the contact of auxiliary contacts | Silver alloy |
| Number of NC contacts for auxiliary contacts | 0 |
| Number of NO contacts for auxiliary contacts | 1 |

| | |
|--|---|
| Connections/ Terminals | |
| Type of electrical connection | |
| <ul style="list-style-type: none"> • of modules and accessories | Screw-type terminal |
| Type of electrical connection on enclosure | Cable routing above and below, both 1 x M20 |
| Tightening torque of the screws in the bracket | 1 ... 1.2 N·m |
| Tightening torque of mounting screws in the enclosure cover | 1.5 ... 1.7 N·m |
| Tightening torque | |
| <ul style="list-style-type: none"> • with screw-type terminals | 0.8 ... 0.9 N·m |

| | |
|---|---------|
| Interfaces | |
| Design of the interface | |
| <ul style="list-style-type: none"> • for communication | without |

| | |
|--|--|
| Ambient conditions | |
| Ambient temperature | |
| <ul style="list-style-type: none"> • during operation • during storage | -25 ... +70 °C -40 ... +80 °C |
| Environmental category during operation acc. to IEC 60721 | 3M6, 3S2, 3B2, 3C3, 3K6 (with relative air humidity of 10 ... 95 %, no condensation in operation permitted for all devices behind front panel) |

| | |
|--|----------------|
| Installation/ mounting/ dimensions | |
| Mounting type | |
| <ul style="list-style-type: none"> • of modules and accessories | Floor mounting |
| Height | 89.4 mm |

| | |
|-----------------------------------|-------|
| Width | 85 mm |
| Depth | 75 mm |
| Shape of the installation opening | round |

Accessories

| | |
|---|-----------|
| Number of labels | 1 |
| Marking of the name plate for command devices | A = I |
| Color of the label | A = black |
| Number of inscription plates | 0 |

Certificates/ approvals

| | |
|--------------------------|---------------------------|
| General Product Approval | Declaration of Conformity |
|--------------------------|---------------------------|



| | | |
|---------------------------|-------------------|-------------------|
| Declaration of Conformity | Test Certificates | Marine / Shipping |
|---------------------------|-------------------|-------------------|

[Miscellaneous](#)

[Type Test Certificates/Test Report](#)

[Special Test Certificate](#)



| | |
|-------------------|-------|
| Marine / Shipping | other |
|-------------------|-------|



[Confirmation](#)

Further information

Information- and Downloadcenter (Catalogs, Brochures,...)

<https://www.siemens.com/ic10>

Industry Mall (Online ordering system)

<https://mall.industry.siemens.com/mall/en/en/Catalog/product?mlfb=3SU1851-0AD00-2AB1>

Cax online generator

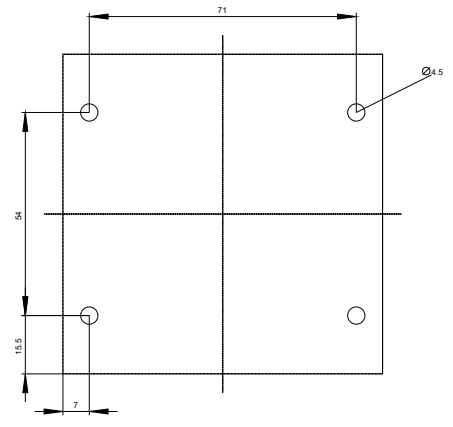
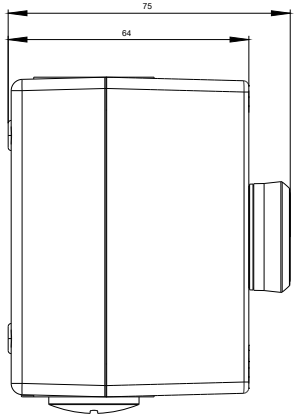
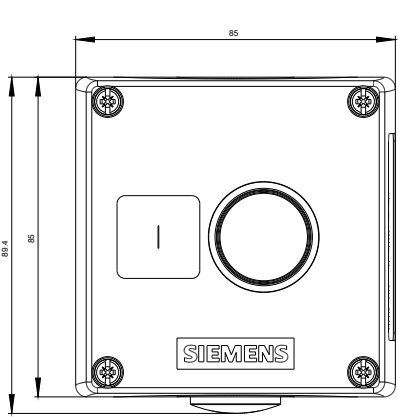
<http://support.automation.siemens.com/WW/CAXorder/default.aspx?lang=en&mlfb=3SU1851-0AD00-2AB1>

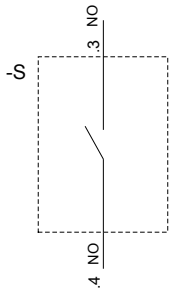
Service&Support (Manuals, Certificates, Characteristics, FAQs,...)

<https://support.industry.siemens.com/cs/ww/en/ps/3SU1851-0AD00-2AB1>

Image database (product images, 2D dimension drawings, 3D models, device circuit diagrams, EPLAN macros, ...)

http://www.automation.siemens.com/bilddb/cax_de.aspx?mlfb=3SU1851-0AD00-2AB1&lang=en





SIEMENS

3SU18.1.(AB,AD)0_01_4_IEC_V.DXF

Format / Size: Hybrid quer

last modified:

03/06/2020