

Enclosure for command devices, 22 mm, round, Enclosure material metal, Enclosure top part yellow, 1 control point, without equipment, Control point in center, floor mounting, 1xM20 each on top and bottom



Product brand name	SIRIUS ACT
Product designation	Enclosures
Product type designation	3SU1

Enclosure	
Design of the housing	Command point in center
Shape of the enclosure front	Square
Material of the enclosure	metal
Number of command points	1
Product component	
• protective collar	No
Color	
• of top part of the enclosure	yellow
Mounting type of the enclosure	Vertical / horizontal

General technical data	
Protection class IP	IP66, IP67, IP69(IP69K)
Degree of protection NEMA rating	1, 2, 3, 3R, 4, 4X, 12, 13
Shock resistance	
• for railway applications acc. to DIN EN 61373	Category 1, Class B
Vibration resistance	

- for railway applications acc. to DIN EN 61373

Category 1, Class B

Cable entry type

Without

Connections/ Terminals

Type of electrical connection on enclosure

Cable routing above and below, both 1 x M20

Tightening torque of mounting screws in the enclosure cover

1.5 ... 1.7 N·m

Ambient conditions

Ambient temperature

- during operation
- during storage

-25 ... +70 °C

-40 ... +80 °C

Installation/ mounting/ dimensions

Mounting type

- of modules and accessories

Floor mounting

Height

89.4 mm

Width

85 mm

Depth

64 mm

Mounting diameter

22.3 mm

Positive tolerance of installation diameter

0.4 mm

Certificates/ approvals

General Product Approval

Declaration of Conformity



Declaration of Conformity

Test Certificates

Marine / Shipping

[Miscellaneous](#)

[Special Test Certificate](#)

[Type Test Certificates/Test Report](#)



Marine / Shipping

other



[Confirmation](#)

Further information

Information- and Downloadcenter (Catalogs, Brochures,...)

<https://www.siemens.com/ic10>

Industry Mall (Online ordering system)

<https://mall.industry.siemens.com/mall/en/en/Catalog/product?mfb=3SU1851-0AA00-0AA2>

Cax online generator

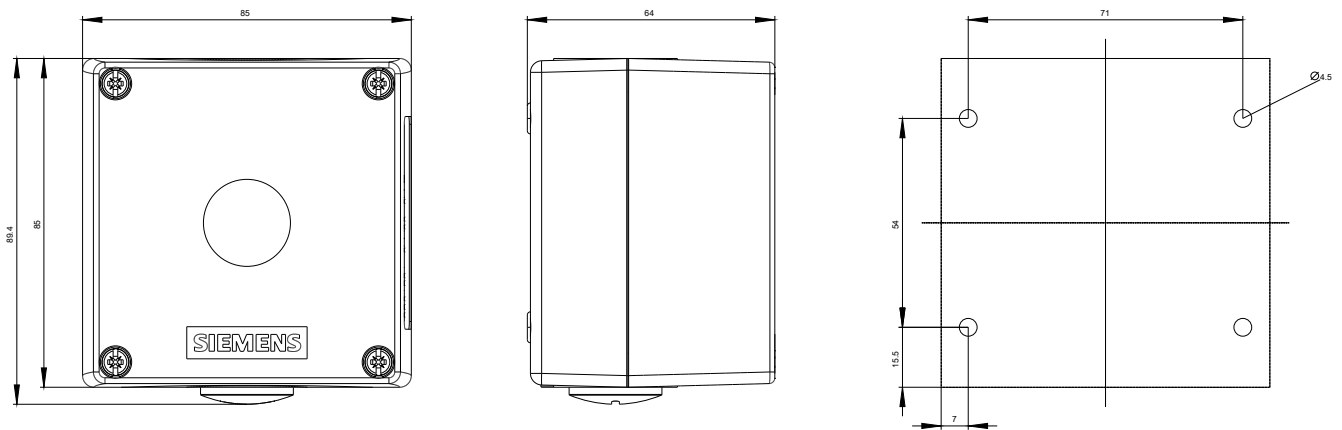
<http://support.automation.siemens.com/WW/CAXorder/default.aspx?lang=en&mfb=3SU1851-0AA00-0AA2>

Service&Support (Manuals, Certificates, Characteristics, FAQs,...)

<https://support.industry.siemens.com/cs/ww/en/ps/3SU1851-0AA00-0AA2>

Image database (product images, 2D dimension drawings, 3D models, device circuit diagrams, EPLAN macros, ...)

http://www.automation.siemens.com/bilddb/cax_de.aspx?mfb=3SU1851-0AA00-0AA2&lang=en



last modified:

03/06/2020