

Two-hand operation console for command devices, 22 mm, round, Enclosure material plastic, enclosure top part gray, 3 control points plastic, 8 additional reference holes for 22 mm command devices 2 mushroom pushbuttons black 40 mm, 2x1NO+1NC, screw terminal, 1 EMERGENCY STOP red, 40 mm, 2 NC, screw terminal, Front mounting, with cable cut-outs for metric screw connections



<b>Product brand name</b>	SIRIUS ACT
<b>Product designation</b>	Two-hand operation console
<b>Product type designation</b>	3SU1
<b>Manufacturer's article number</b>	<ul style="list-style-type: none"> <li>• of supplied contact module R2 = 3SU1400-1AA10-1BA0 / L2 = 3SU1400-1AA10-1BA0 / M1 = 3SU1400-1AA10-1CA0 / R1 = 3SU1400-1AA10-1CA0 / L1 = 3SU1400-1AA10-1CA0 / M2 = 3SU1400-1AA10-1CA0 <a href="#">3SU1400-1AA10-1CA0</a></li> <li>• of supplied contact module at the command point A 1 <a href="#">3SU1400-1AA10-1BA0</a></li> <li>• of supplied contact module at the command point A 3 <a href="#">3SU1400-1AA10-1CA0</a></li> <li>• of supplied contact module at the command point B 1 <a href="#">3SU1400-1AA10-1CA0</a></li> <li>• of supplied contact module at the command point B 3 <a href="#">3SU1400-1AA10-1CA0</a></li> <li>• of supplied contact module at the command point C 1 <a href="#">3SU1400-1AA10-1CA0</a></li> <li>• of supplied contact module at the command point C 3 <a href="#">3SU1400-1AA10-1BA0</a></li> <li>• of the supplied holder at the command point A <a href="#">3SU1550-0AA10-0AA0</a></li> </ul>

- of the supplied holder at the command point B
- of the supplied holder at the command point C
- of the supplied actuator at the command point A
- of the supplied actuator at the command point B
- of the supplied actuator at the command point C
- of supplied empty enclosure
- of the supplied accessories at the command point B

[3SU1550-0AA10-0AA0](#)

[3SU1550-0AA10-0AA0](#)

[3SU1000-1BD10-0AA0](#)

[3SU1000-1HB20-0AA0](#)

[3SU1000-1BD10-0AA0](#)

[3SU1803-3AA00-0AA1](#)

[3SU1900-0BB31-0ATO](#)

## Enclosure

<b>Design of the housing</b>	Two-hand operating console with standard components
<b>Material of the enclosure</b>	plastic
<b>Number of command points</b>	3
<b>Color</b>	
<ul style="list-style-type: none"> <li>• of top part of the enclosure</li> </ul>	grey
<b>Delivery state</b>	
<ul style="list-style-type: none"> <li>• as a kit</li> <li>• pre-wired on strip terminal</li> </ul>	No No
<b>Mounting type of the enclosure</b>	Horizontal

## Actuator

<b>Design of the operating mechanism</b>	A = mushroom pushbutton / B = EMERGENCY STOP mushroom pushbutton / C = mushroom pushbutton
<b>Manner of function of the actuating element</b>	A = momentary contact / B = latching / C = momentary contact
<b>Product feature</b>	
<ul style="list-style-type: none"> <li>• lockout</li> <li>• staggered switching</li> </ul>	No No
<b>Color</b>	
<ul style="list-style-type: none"> <li>• of the actuating element</li> </ul>	A = black / B = red / C = black
<b>Material of the actuating element</b>	plastic
<b>Shape of the actuating element</b>	round
<b>Number of contact modules</b>	6
<b>Type of unlocking device</b>	A = none / B = rotate to unlock / C = none

## Front ring

<b>Product component front ring</b>	Yes
<b>Material of the front ring</b>	plastic
<b>Color of the front ring</b>	black

## Holder

<b>Material of the holder</b>	Plastic
-------------------------------	---------

## General technical data

<b>Product function</b>	
• positive opening	Yes
• EMERGENCY OFF function	Yes
• EMERGENCY STOP function	Yes
<b>Product component</b>	
• Stand/pedestal	No
<b>Protection class IP</b>	IP66
<b>Degree of protection NEMA rating</b>	1, 4X, 12K, indoor use only, 13
<b>Shock resistance</b>	
• acc. to IEC 60068-2-27	Sinusoidal half-wave 50 g / 11 ms
<b>Vibration resistance</b>	
• acc. to IEC 60068-2-6	10 ... 500 Hz: 5g
<b>Reference code acc. to DIN EN 81346-2</b>	S
<b>Reference code acc. to DIN EN 61346-2</b>	S
<b>Continuous current of the C characteristic MCB</b>	10 A; for a short-circuit current smaller than 400 A
<b>Continuous current of the quick DIAZED fuse link</b>	10 A
<b>Continuous current of the DIAZED fuse link gG</b>	10 A

#### Auxiliary circuit

<b>Design of the contact of auxiliary contacts</b>	Silver alloy
<b>Number of NC contacts for auxiliary contacts</b>	4
<b>Number of NO contacts for auxiliary contacts</b>	2

#### Connections/ Terminals

<b>Type of electrical connection on enclosure</b>	Cable routing at the rear 2 x M25
---	-----------------------------------

#### Safety related data

<b>B10 value</b>	
• with high demand rate acc. to SN 31920	100 000
<b>Proportion of dangerous failures</b>	
• with low demand rate acc. to SN 31920	20 %
• with high demand rate acc. to SN 31920	20 %
<b>Failure rate [FIT]</b>	
• with low demand rate acc. to SN 31920	100 FIT
<b>T1 value for proof test interval or service life acc. to IEC 61508</b>	20 y

#### Ambient conditions

<b>Ambient temperature</b>	
• during operation	-25 ... +70 °C
• during storage	-40 ... +80 °C
<b>Environmental category during operation acc. to IEC 60721</b>	3M6, 3S2, 3B2, 3C3, 3K6 (with relative air humidity of 10 ... 95 %, no condensation in operation permitted for all devices behind front panel)

#### Installation/ mounting/ dimensions



<b>Mounting type</b>	Front plate mounting
• of modules and accessories	
<b>Height</b>	185.3 mm
<b>Width</b>	469.2 mm
<b>Depth</b>	137.4 mm

<b>Accessories</b>	
<b>Number of backing plates</b>	1
<b>Marking of backing plate</b>	EMERGENCY-STOP
<b>Color of backing plate</b>	Yellow

**Certificates/ approvals**

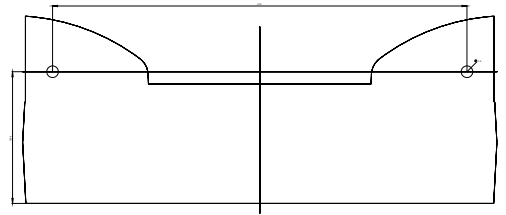
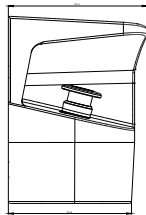
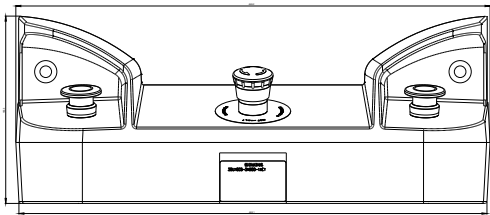
<b>General Product Approval</b>	<b>Declaration of Conformity</b>
 CCC	 UL
 VDE	 EAC
	 EG-Konf.
	<a href="#">Miscellaneous</a>

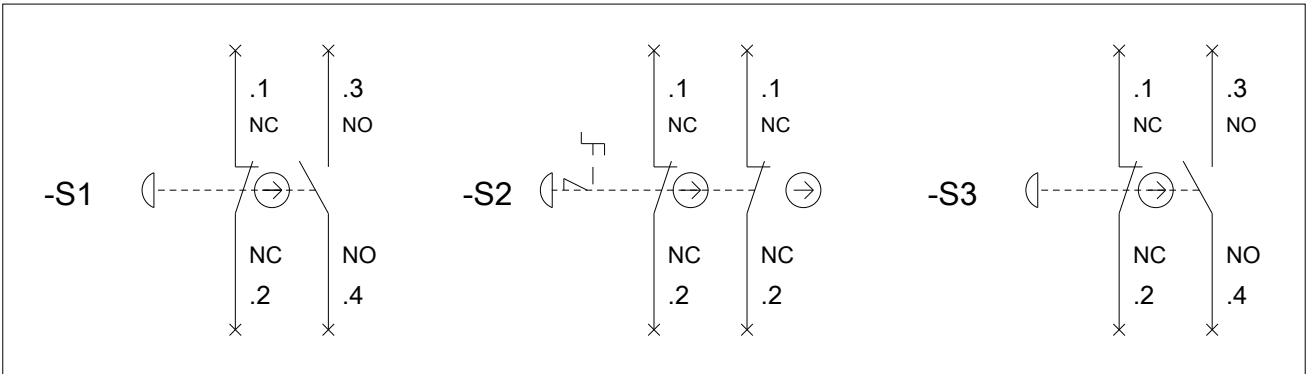
<b>Test Certificates</b>	<b>Marine / Shipping</b>
<a href="#">Type Test Certificates/Test Report</a>	<a href="#">Special Test Certificate</a>
	 ABS
	 LRS
	 PRS
	 RINA

<b>Marine / Shipping</b>	<b>other</b>
 RMRS	 DNV-GL DNVGL.COM/AF
	<a href="#">Confirmation</a>

**Further information**

- Information- and Downloadcenter (Catalogs, Brochures,...)**  
<https://www.siemens.com/ic10>
- Industry Mall (Online ordering system)**  
<https://mall.industry.siemens.com/mall/en/en/Catalog/product?mlfb=3SU1803-3NB00-1AE1>
- Cax online generator**  
<http://support.automation.siemens.com/WW/CAXorder/default.aspx?lang=en&mlfb=3SU1803-3NB00-1AE1>
- Service&Support (Manuals, Certificates, Characteristics, FAQs,...)**  
<https://support.industry.siemens.com/cs/ww/en/ps/3SU1803-3NB00-1AE1>
- Image database (product images, 2D dimension drawings, 3D models, device circuit diagrams, EPLAN macros, ...)**  
[http://www.automation.siemens.com/bilddb/cax\\_de.aspx?mlfb=3SU1803-3NB00-1AE1&lang=en](http://www.automation.siemens.com/bilddb/cax_de.aspx?mlfb=3SU1803-3NB00-1AE1&lang=en)





last modified:

02/22/2020