

Enclosure for command devices, 22 mm, round, Enclosure material plastic, enclosure top part gray, 1 control point plastic, Recess for label, without equipment



Product brand name	SIRIUS ACT
Product designation	Enclosures
Product type designation	3SU1

### Enclosure

Design of the housing	with recess for label
Shape of the enclosure front	Square
Material of the enclosure	plastic
Number of command points	1
Product component	
• protective collar	No
Color	
• of top part of the enclosure	grey
Mounting type of the enclosure	Vertical / horizontal

### General technical data

Protection class IP	IP66, IP67, IP69(IP69K)
Degree of protection NEMA rating	1, 2, 3, 3R, 4, 4X, 12, 13
Shock resistance	
• for railway applications acc. to DIN EN 61373	Category 1, Class B
Vibration resistance	

- for railway applications acc. to DIN EN 61373

Category 1, Class B

**Cable entry type**

Without

**Connections/ Terminals**

**Type of electrical connection on enclosure**

Cable routing above and below, both 1 x M20

**Tightening torque of mounting screws in the enclosure cover**

1.5 ... 1.7 N·m

**Ambient conditions**

**Ambient temperature**

- during operation
- during storage

-25 ... +70 °C

-40 ... +80 °C

**Installation/ mounting/ dimensions**

**Mounting type**

- of modules and accessories

Floor mounting

**Height**

85 mm

**Width**

85 mm

**Depth**

64 mm

**Mounting diameter**

22.3 mm

**Positive tolerance of installation diameter**

0.4 mm

**Certificates/ approvals**

**General Product Approval**

**Declaration of Conformity**



**Declaration of Conformity**

**Test Certificates**

**Marine / Shipping**

[Miscellaneous](#)

[Special Test Certificate](#)

[Type Test Certificates/Test Report](#)



**Marine / Shipping**

**other**



[Confirmation](#)

**Further information**

**Information- and Downloadcenter (Catalogs, Brochures,...)**

<https://www.siemens.com/ic10>

**Industry Mall (Online ordering system)**

<https://mall.industry.siemens.com/mall/en/en/Catalog/product?mfb=3SU1801-0AA00-0AB1>

**Cax online generator**

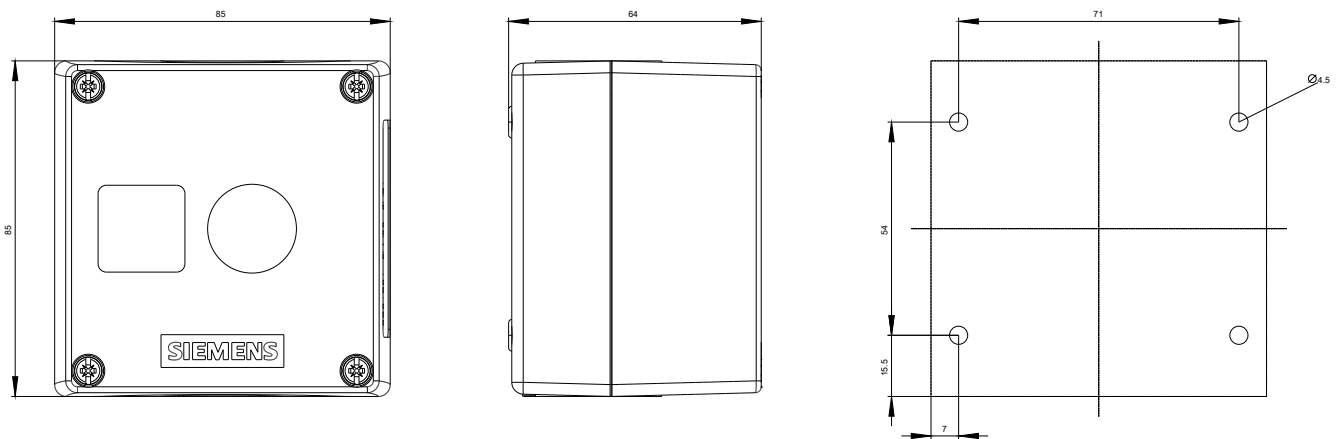
<http://support.automation.siemens.com/WW/CAXorder/default.aspx?lang=en&mfb=3SU1801-0AA00-0AB1>

**Service&Support (Manuals, Certificates, Characteristics, FAQs,...)**

<https://support.industry.siemens.com/cs/ww/en/ps/3SU1801-0AA00-0AB1>

**Image database (product images, 2D dimension drawings, 3D models, device circuit diagrams, EPLAN macros, ...)**

[http://www.automation.siemens.com/bilddb/cax\\_de.aspx?mfb=3SU1801-0AA00-0AB1&lang=en](http://www.automation.siemens.com/bilddb/cax_de.aspx?mfb=3SU1801-0AA00-0AB1&lang=en)



last modified:

03/06/2020