

Holder for 3 modules, plastic, 1 NO+1 NC, LED module, red, 6-24 V AC/DC, screw terminal



|  |  |
|--|--|
| <b>Product brand name</b>  | SIRIUS ACT   |
| <b>Product designation</b>   | Holders  |
| <b>Product type designation</b>  | 3SU1   |
| <b>Manufacturer's article number</b>   |  |
| <ul style="list-style-type: none"> <li>• of supplied contact module</li> <li>• 1 of supplied contact module</li> <li>• of supplied LED module</li> <li>• of the supplied holder</li> </ul> | <ul style="list-style-type: none"> <li><a href="#">3SU1400-1AA10-1FA0</a></li> <li><a href="#">3SU1400-1AA10-1FA0</a></li> <li><a href="#">3SU1401-1BG20-1AA0</a></li> <li><a href="#">3SU1500-0AA10-0AA0</a></li> </ul> |
| <b>Actuator</b>  |  |
| <b>Design of the operating mechanism</b>   | 3-way with module  |
| <b>Number of contact modules</b>   | 1  |
| <b>Holder</b>  |  |
| <b>Material of the holder</b>  | Plastic  |
| <b>Display</b>   |  |
| <b>Number of LED modules</b>   | 1  |
| <b>General technical data</b>  |  |
| <b>Product function</b>  |  |

|   |  |
|---|--|
| <ul style="list-style-type: none"> <li>• positive opening</li> </ul>  | Yes  |
| <b>Product component</b>  |  |
| <ul style="list-style-type: none"> <li>• diode</li> </ul>   | Yes  |
| <ul style="list-style-type: none"> <li>• lamp transformer</li> </ul>  | No   |
| <ul style="list-style-type: none"> <li>• Light source</li> </ul>  | Yes  |
| <ul style="list-style-type: none"> <li>• series resistor</li> </ul>   | No   |
| <b>Insulation voltage</b>   |  |
| <ul style="list-style-type: none"> <li>• rated value</li> </ul>   | 320 V  |
| <b>Degree of pollution</b>  | 3  |
| <b>Surge voltage resistance rated value</b>   | 4 kV   |
| <b>Protection class IP</b>  |  |
| <ul style="list-style-type: none"> <li>• of the terminal</li> </ul>   | IP20   |
| <b>Shock resistance</b>   |  |
| <ul style="list-style-type: none"> <li>• acc. to IEC 60068-2-27</li> </ul>  | Sinusoidal half-wave 50 g / 11 ms                    |
| <ul style="list-style-type: none"> <li>• for railway applications acc. to DIN EN 61373</li> </ul>   | Category 1, Class B                                  |
| <b>Vibration resistance</b>   |  |
| <ul style="list-style-type: none"> <li>• acc. to IEC 60068-2-6</li> </ul>   | 10 ... 500 Hz: 5g                                    |
| <ul style="list-style-type: none"> <li>• for railway applications acc. to DIN EN 61373</li> </ul>   | Category 1, Class B                                  |
| <b>Operating frequency maximum</b>  | 3 600 1/h  |
| <b>Mechanical service life (switching cycles)</b>   |  |
| <ul style="list-style-type: none"> <li>• typical</li> </ul>   | 10   |
| <b>Thermal current</b>  | 10 A   |
| <b>Reference code acc. to DIN EN 81346-2</b>  | U  |
| <b>Reference code acc. to DIN EN 61346-2</b>  | U  |
| <b>Continuous current of the C characteristic MCB</b>   | 10 A; for a short-circuit current smaller than 400 A |
| <b>Continuous current of the quick DIAZED fuse link</b>   | 10 A   |
| <b>Continuous current of the DIAZED fuse link gG</b>  | 10 A   |
| <b>Operating voltage</b>  |  |
| <ul style="list-style-type: none"> <li>• at AC <ul style="list-style-type: none"> <li>— at 50 Hz rated value</li> <li>— at 60 Hz rated value</li> </ul> </li> </ul> | 6 ... 24 V   |
| <ul style="list-style-type: none"> <li>• at DC <ul style="list-style-type: none"> <li>— rated value</li> </ul> </li> </ul>  | 6 ... 24 V   |

## Power Electronics

|                            |  |
|----------------------------|--|
| <b>Contact reliability</b> | One maloperation per 100 million (17 V, 5 mA), one maloperation per 10 million (5 V, 1 mA) |
|----------------------------|--|

## Control circuit/ Control

|   |     |
|---|-----|
| <b>Inrush current of LED module maximum</b> | 2 A |
|---|-----|

## Auxiliary circuit

|   |              |
|---|--------------|
| <b>Design of the contact of auxiliary contacts</b>  | Silver alloy |
| <b>Number of NC contacts for auxiliary contacts</b> | 1            |

|   |     |
|---|-----|
| <b>Number of NO contacts for auxiliary contacts</b> | 1   |
| <b>Operating current at AC-15</b>                   | 6 A |
| • at 230 V rated value                              |     |

### Connections/ Terminals

|   |   |
|---|---|
| <b>Type of electrical connection</b>                  | Screw-type terminal   |
| • of modules and accessories                          |   |
| <b>Type of connectable conductor cross-sections</b>   | 2x (0.5 ... 0.75 mm <sup>2</sup> )<br>2x (1.0 ... 1.5 mm <sup>2</sup> )<br>2x (0.5 ... 1.5 mm <sup>2</sup> )<br>2x (1.0 ... 1.5 mm <sup>2</sup> )<br>2x (18 ... 14) |
| • solid with core end processing                      |   |
| • solid without core end processing                   |   |
| • finely stranded with core end processing            |   |
| • finely stranded without core end processing         |   |
| • at AWG conductors                                   |   |
| <b>Tightening torque of the screws in the bracket</b> | 1 ... 1.2 N·m   |
| <b>Tightening torque</b>                              | 0.8 ... 0.9 N·m   |
| • with screw-type terminals                           |   |

### Lamp

|                                  |                   |
|----------------------------------|-------------------|
| <b>Type of light source</b>      | LED               |
| <b>Color of the light source</b> | red               |
| <b>Light intensity</b>           | 450 ... 1 120 mcd |





### Ambient conditions

|   |  |
|---|--|
| <b>Ambient temperature</b>                                | -25 ... +70 °C<br>-40 ... +80 °C   |
| • during operation  |  |
| • during storage  |  |
| Environmental category during operation acc. to IEC 60721 | 3M6, 3S2, 3B2, 3K6 (with relative air humidity of 10 ... 95 %, no condensation in operation permitted) |

### Installation/ mounting/ dimensions

|  |                      |
|--|----------------------|
| <b>Mounting type</b>                     | front panel mounting |
| • of modules and accessories             | Front plate mounting |
| <b>Height</b>                            | 40 mm                |
| <b>Width</b>                             | 30 mm                |
| <b>Shape of the installation opening</b> | round                |
| <b>Installation width</b>                | 30 mm                |
| <b>Installation depth</b>                | 71.8 mm              |

### Certificates/ approvals

|  |  |   |   |   |
|--|--|---|---|---|
| General Product Approval   |  | Declaration of Conformity   |   | Test Certificates   |
| <br>CCC | <br>CSA |  | <br>EG-Konf. | <a href="#">Miscellaneous</a><br><a href="#">Type Test Certificates/Test Report</a> |

|  |                              |
|--|------------------------------|
| Test Certificates                        | other                        |
| <a href="#">Special Test Certificate</a> | <a href="#">Confirmation</a> |

#### Further information

**Information- and Downloadcenter (Catalogs, Brochures,...)**

<https://www.siemens.com/ic10>

**Industry Mall (Online ordering system)**

<https://mall.industry.siemens.com/mall/en/en/Catalog/product?mlfb=3SU1501-1AG20-1FA0>

**Cax online generator**

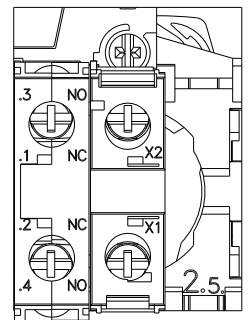
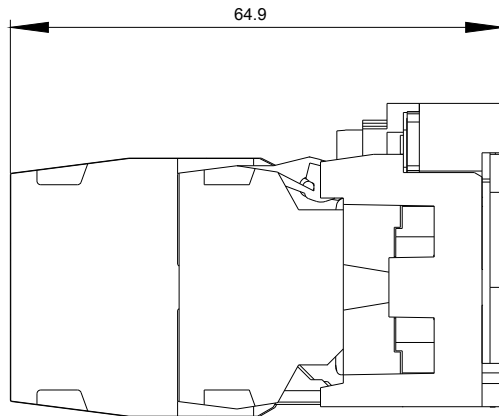
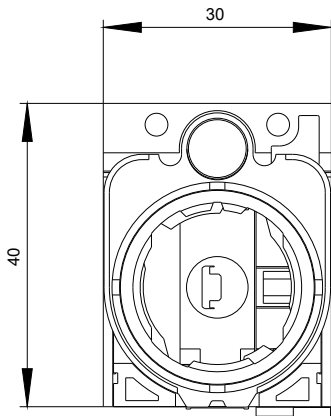
<http://support.automation.siemens.com/WW/CAXorder/default.aspx?lang=en&mlfb=3SU1501-1AG20-1FA0>

**Service&Support (Manuals, Certificates, Characteristics, FAQs,...)**

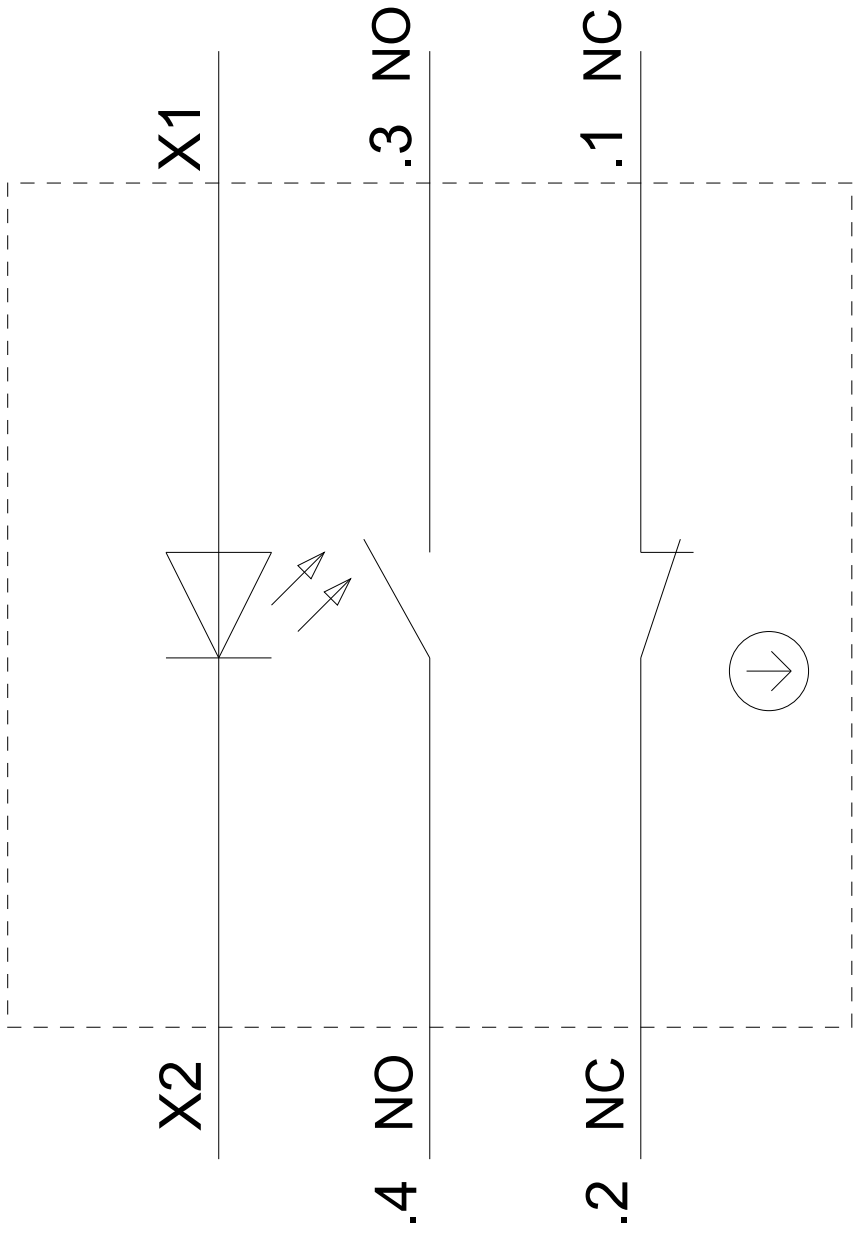
<https://support.industry.siemens.com/cs/ww/en/ps/3SU1501-1AG20-1FA0>

**Image database (product images, 2D dimension drawings, 3D models, device circuit diagrams, EPLAN macros, ...)**

[http://www.automation.siemens.com/bilddb/cax\\_de.aspx?mlfb=3SU1501-1AG20-1FA0&lang=en](http://www.automation.siemens.com/bilddb/cax_de.aspx?mlfb=3SU1501-1AG20-1FA0&lang=en)



6-24 V AC/DC  $\bar{P}$



last modified:

03/12/2020