

Holder for 3 modules, plastic, 1 NC, LED module, amber, 6-24 V AC/DC, screw terminal



Product brand name	SIRIUS ACT
Product designation	Holders
Product type designation	3SU1
Manufacturer's article number	
<ul style="list-style-type: none"> • of supplied contact module • 1 of supplied contact module • of supplied LED module • of the supplied holder 	<ul style="list-style-type: none"> 3SU1400-1AA10-1CA0 3SU1400-1AA10-1CA0 3SU1401-1BG00-1AA0 3SU1500-0AA10-0AA0
Actuator	
Design of the operating mechanism	3-way with module
Number of contact modules	1
Holder	
Material of the holder	Plastic
Display	
Number of LED modules	1
General technical data	
Product function	

<ul style="list-style-type: none"> • positive opening 	Yes
Product component	
<ul style="list-style-type: none"> • diode 	Yes
<ul style="list-style-type: none"> • lamp transformer 	No
<ul style="list-style-type: none"> • Light source 	Yes
<ul style="list-style-type: none"> • series resistor 	No
Insulation voltage	
<ul style="list-style-type: none"> • rated value 	320 V
Degree of pollution	3
Surge voltage resistance rated value	4 kV
Protection class IP	
<ul style="list-style-type: none"> • of the terminal 	IP20
Shock resistance	
<ul style="list-style-type: none"> • acc. to IEC 60068-2-27 	Sinusoidal half-wave 50 g / 11 ms
<ul style="list-style-type: none"> • for railway applications acc. to DIN EN 61373 	Category 1, Class B
Vibration resistance	
<ul style="list-style-type: none"> • acc. to IEC 60068-2-6 	10 ... 500 Hz: 5g
<ul style="list-style-type: none"> • for railway applications acc. to DIN EN 61373 	Category 1, Class B
Operating frequency maximum	3 600 1/h
Mechanical service life (switching cycles)	
<ul style="list-style-type: none"> • typical 	10
Thermal current	10 A
Reference code acc. to DIN EN 81346-2	U
Reference code acc. to DIN EN 61346-2	U
Continuous current of the C characteristic MCB	10 A; for a short-circuit current smaller than 400 A
Continuous current of the quick DIAZED fuse link	10 A
Continuous current of the DIAZED fuse link gG	10 A
Operating voltage	
<ul style="list-style-type: none"> • at AC <ul style="list-style-type: none"> — at 50 Hz rated value — at 60 Hz rated value 	6 ... 24 V
<ul style="list-style-type: none"> • at DC <ul style="list-style-type: none"> — rated value 	6 ... 24 V

Power Electronics

Contact reliability	One maloperation per 100 million (17 V, 5 mA), one maloperation per 10 million (5 V, 1 mA)
----------------------------	--

Control circuit/ Control

Inrush current of LED module maximum	2 A
---	-----

Auxiliary circuit

Design of the contact of auxiliary contacts	Silver alloy
Number of NC contacts for auxiliary contacts	1

Number of NO contacts for auxiliary contacts	0
Operating current at AC-15	6 A
• at 230 V rated value	

Connections/ Terminals

Type of electrical connection	Screw-type terminal
• of modules and accessories	
Type of connectable conductor cross-sections	2x (0.5 ... 0.75 mm ²) 2x (1.0 ... 1.5 mm ²) 2x (0.5 ... 1.5 mm ²) 2x (1,0 ... 1,5 mm ²) 2x (18 ... 14)
• solid with core end processing	
• solid without core end processing	
• finely stranded with core end processing	
• finely stranded without core end processing	
• at AWG conductors	
Tightening torque of the screws in the bracket	1 ... 1.2 N·m
Tightening torque	0.8 ... 0.9 N·m
• with screw-type terminals	

Lamp

Type of light source	LED
Color of the light source	amber
Light intensity	450 ... 1 120 mcd

Ambient conditions

Ambient temperature	-25 ... +70 °C
• during operation	
• during storage	-40 ... +80 °C
Environmental category during operation acc. to IEC 60721	3M6, 3S2, 3B2, 3K6 (with relative air humidity of 10 ... 95 %, no condensation in operation permitted)

Installation/ mounting/ dimensions

Mounting type	front panel mounting
• of modules and accessories	Front plate mounting
Height	40 mm
Width	30 mm
Shape of the installation opening	round
Installation width	30 mm
Installation depth	49.8 mm

Certificates/ approvals



CCC



CSA



UL



EG-Konf.

[Miscellaneous](#)

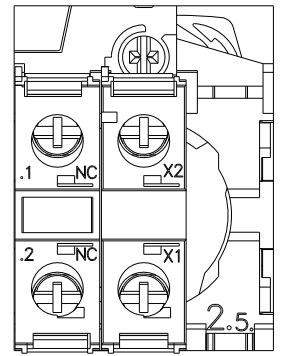
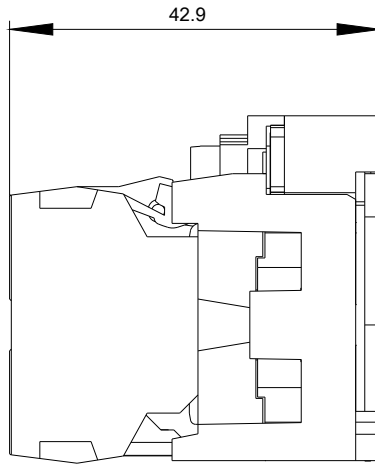
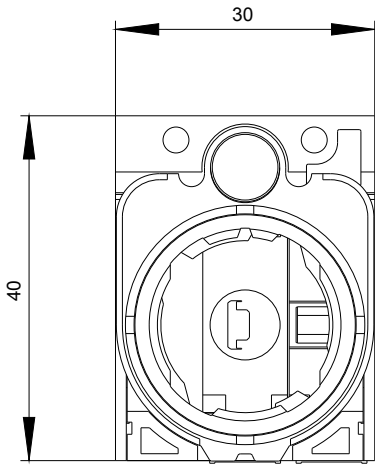
Test Certificates

other

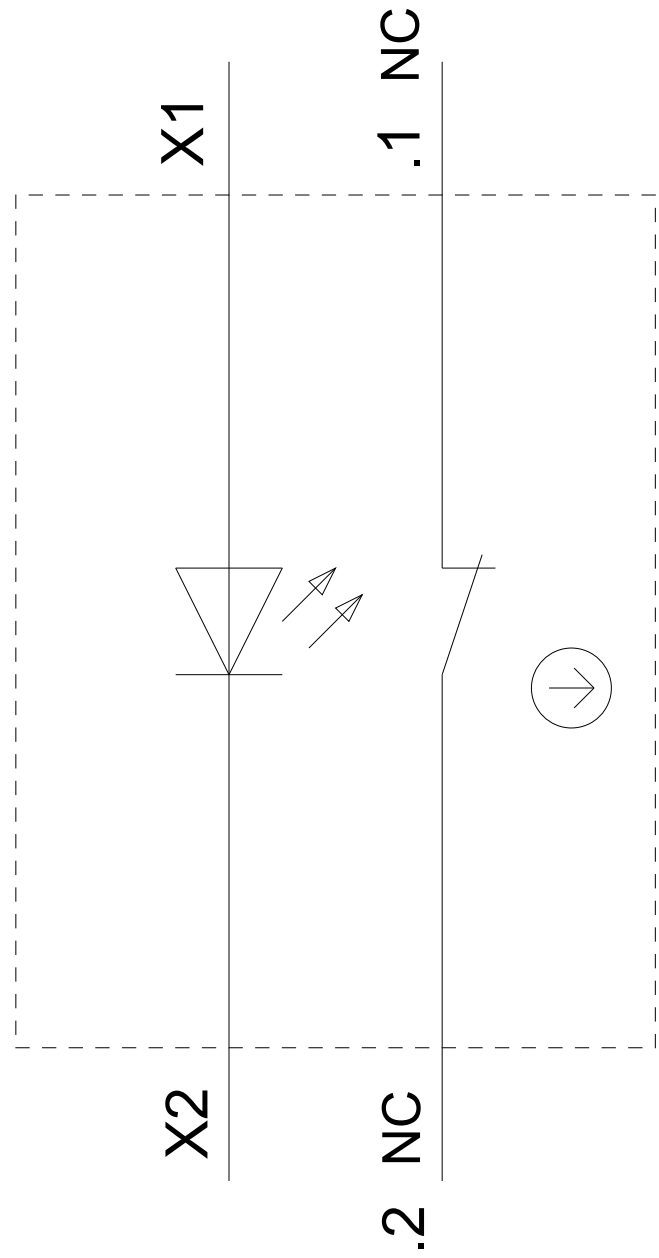
[Special Test Certificate](#)[Type Test Certificates/Test Report](#)[Confirmation](#)

Further information

Information- and Downloadcenter (Catalogs, Brochures,...)<https://www.siemens.com/ic10>**Industry Mall (Online ordering system)**<https://mall.industry.siemens.com/mall/en/en/Catalog/product?mlfb=3SU1501-1AG00-1CA0>**Cax online generator**<http://support.automation.siemens.com/WW/CAXorder/default.aspx?lang=en&mlfb=3SU1501-1AG00-1CA0>**Service&Support (Manuals, Certificates, Characteristics, FAQs,...)**<https://support.industry.siemens.com/cs/ww/en/ps/3SU1501-1AG00-1CA0>**Image database (product images, 2D dimension drawings, 3D models, device circuit diagrams, EPLAN macros, ...)**http://www.automation.siemens.com/bilddb/cax_de.aspx?mlfb=3SU1501-1AG00-1CA0&lang=en



6-24 V AC/DC
-P



last modified:

03/19/2020