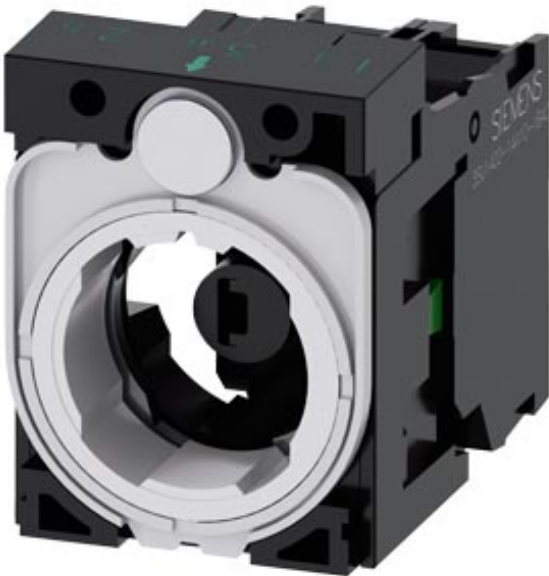


Holder for 3 modules, plastic, 1 NO, LED module, amber, 6-24 V AC/DC, screw terminal



| | |
|--|--|
| Product brand name | SIRIUS ACT |
| Product designation | Holders |
| Product type designation | 3SU1 |
| Manufacturer's article number | |
| <ul style="list-style-type: none"> • of supplied contact module • 1 of supplied contact module • of supplied LED module • of the supplied holder | <ul style="list-style-type: none"> 3SU1400-1AA10-1BA0 3SU1400-1AA10-1BA0 3SU1401-1BG00-1AA0 3SU1500-0AA10-0AA0 |
| Actuator | |
| Design of the operating mechanism | 3-way with module |
| Number of contact modules | 1 |
| Holder | |
| Material of the holder | Plastic |
| Display | |
| Number of LED modules | 1 |
| General technical data | |
| Product function | |

| | |
|---|--|
| <ul style="list-style-type: none"> • positive opening | No |
| Product component | |
| <ul style="list-style-type: none"> • diode | Yes |
| <ul style="list-style-type: none"> • lamp transformer | No |
| <ul style="list-style-type: none"> • Light source | Yes |
| <ul style="list-style-type: none"> • series resistor | No |
| Insulation voltage | |
| <ul style="list-style-type: none"> • rated value | 320 V |
| Degree of pollution | 3 |
| Surge voltage resistance rated value | 4 kV |
| Protection class IP | |
| <ul style="list-style-type: none"> • of the terminal | IP20 |
| Shock resistance | |
| <ul style="list-style-type: none"> • acc. to IEC 60068-2-27 | Sinusoidal half-wave 50 g / 11 ms |
| <ul style="list-style-type: none"> • for railway applications acc. to DIN EN 61373 | Category 1, Class B |
| Vibration resistance | |
| <ul style="list-style-type: none"> • acc. to IEC 60068-2-6 | 10 ... 500 Hz: 5g |
| <ul style="list-style-type: none"> • for railway applications acc. to DIN EN 61373 | Category 1, Class B |
| Operating frequency maximum | 3 600 1/h |
| Mechanical service life (switching cycles) | |
| <ul style="list-style-type: none"> • typical | 10 |
| Thermal current | 10 A |
| Reference code acc. to DIN EN 81346-2 | U |
| Reference code acc. to DIN EN 61346-2 | U |
| Continuous current of the C characteristic MCB | 10 A; for a short-circuit current smaller than 400 A |
| Continuous current of the quick DIAZED fuse link | 10 A |
| Continuous current of the DIAZED fuse link gG | 10 A |
| Operating voltage | |
| <ul style="list-style-type: none"> • at AC <ul style="list-style-type: none"> — at 50 Hz rated value — at 60 Hz rated value | 6 ... 24 V |
| <ul style="list-style-type: none"> • at DC <ul style="list-style-type: none"> — rated value | 6 ... 24 V |

Power Electronics

| | |
|----------------------------|--|
| Contact reliability | One maloperation per 100 million (17 V, 5 mA), one maloperation per 10 million (5 V, 1 mA) |
|----------------------------|--|

Control circuit/ Control

| | |
|---|-----|
| Inrush current of LED module maximum | 2 A |
|---|-----|

Auxiliary circuit

| | |
|---|--------------|
| Design of the contact of auxiliary contacts | Silver alloy |
| Number of NC contacts for auxiliary contacts | 0 |

| | |
|--|-----|
| Number of NO contacts for auxiliary contacts | 1 |
| Operating current at AC-15 | 6 A |
| <ul style="list-style-type: none"> • at 230 V rated value | |

Connections/ Terminals

| | |
|---|---|
| Type of electrical connection | Screw-type terminal |
| <ul style="list-style-type: none"> • of modules and accessories | |
| Type of connectable conductor cross-sections | 2x (0.5 ... 0.75 mm ²) 2x (1.0 ... 1.5 mm ²) 2x (0.5 ... 1.5 mm ²) 2x (1,0 ... 1,5 mm ²) 2x (18 ... 14) |
| <ul style="list-style-type: none"> • solid with core end processing | |
| <ul style="list-style-type: none"> • solid without core end processing | |
| <ul style="list-style-type: none"> • finely stranded with core end processing | |
| <ul style="list-style-type: none"> • finely stranded without core end processing | |
| <ul style="list-style-type: none"> • at AWG conductors | |
| Tightening torque of the screws in the bracket | 1 ... 1.2 N·m |
| Tightening torque | 0.8 ... 0.9 N·m |
| <ul style="list-style-type: none"> • with screw-type terminals | |

Lamp

| | |
|----------------------------------|-------------------|
| Type of light source | LED |
| Color of the light source | amber |
| Light intensity | 450 ... 1 120 mcd |

Ambient conditions

| | |
|--|--|
| Ambient temperature | -25 ... +70 °C |
| <ul style="list-style-type: none"> • during operation | |
| <ul style="list-style-type: none"> • during storage | -40 ... +80 °C |
| Environmental category during operation acc. to IEC 60721 | 3M6, 3S2, 3B2, 3K6 (with relative air humidity of 10 ... 95 %, no condensation in operation permitted) |

Installation/ mounting/ dimensions

| | |
|--|----------------------|
| Mounting type | front panel mounting |
| <ul style="list-style-type: none"> • of modules and accessories | Front plate mounting |
| Height | 40 mm |
| Width | 30 mm |
| Shape of the installation opening | round |
| Installation width | 30 mm |
| Installation depth | 49.8 mm |

Certificates/ approvals

General Product Approval**Declaration of Conformity**

CCC



CSA

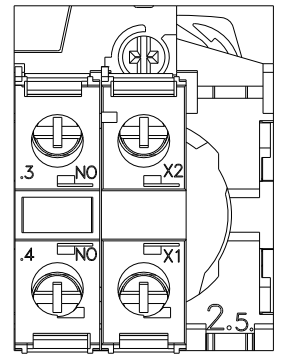
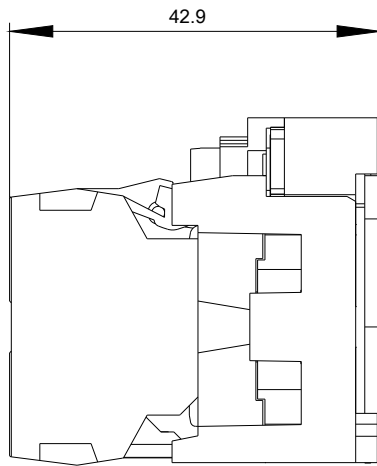
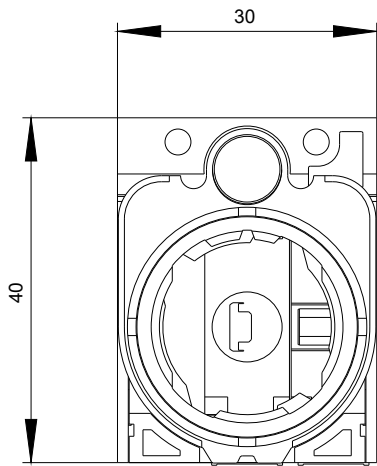


UL



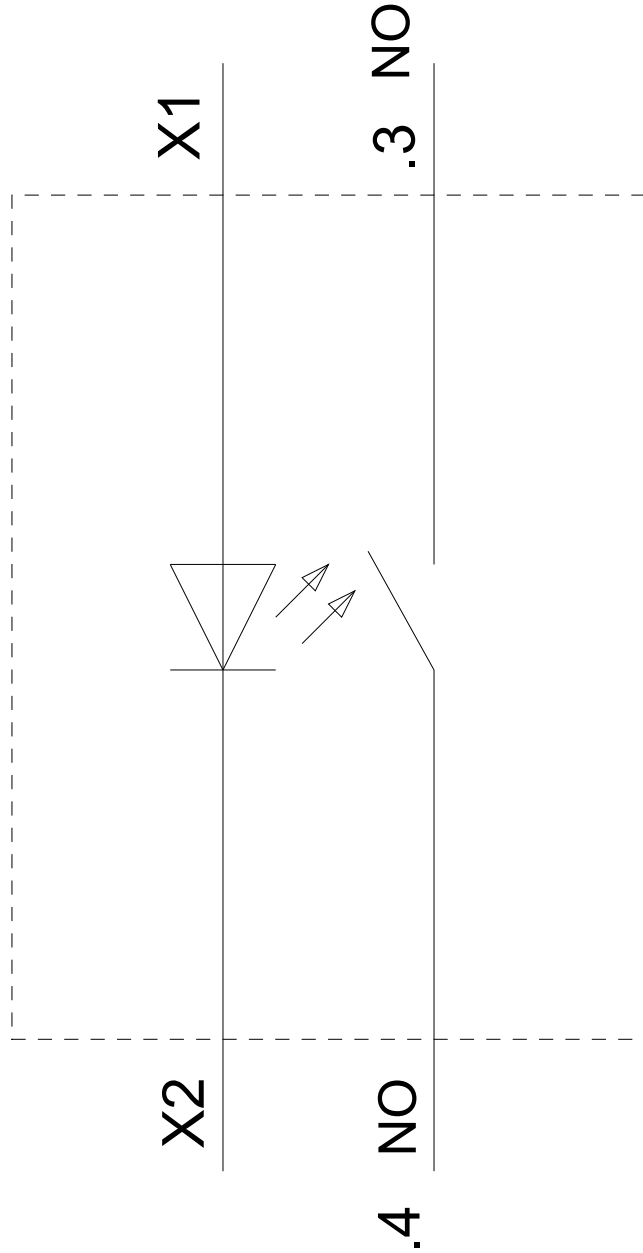
EG-Konf.

[Miscellaneous](#)**Test Certificates****other**[Special Test Certificate](#)[Type Test Certificates/Test Report](#)[Confirmation](#)**Further information****Information- and Downloadcenter (Catalogs, Brochures,...)**<https://www.siemens.com/ic10>**Industry Mall (Online ordering system)**<https://mall.industry.siemens.com/mall/en/en/Catalog/product?mlfb=3SU1501-1AG00-1BA0>**Cax online generator**<http://support.automation.siemens.com/WW/CAXorder/default.aspx?lang=en&mlfb=3SU1501-1AG00-1BA0>**Service&Support (Manuals, Certificates, Characteristics, FAQs,...)**<https://support.industry.siemens.com/cs/ww/en/ps/3SU1501-1AG00-1BA0>**Image database (product images, 2D dimension drawings, 3D models, device circuit diagrams, EPLAN macros, ...)**http://www.automation.siemens.com/bilddb/cax_de.aspx?mlfb=3SU1501-1AG00-1BA0&lang=en



6-24 V AC/DC

-P



last modified:

03/23/2020