

SIRIUS ACT: Terminal module (LED module), integrated LED red, for front plate mounting



Product brand name	SIRIUS ACT
Product designation	Terminal module
Design of the product	with integrated LED
Product type designation	3SU1

Display	
Display version	
<ul style="list-style-type: none"> <li>for diagnostic function: Supply voltage monitoring Power LED</li> </ul>	Yes
<ul style="list-style-type: none"> <li>status Tx/Rx link</li> </ul>	No

General technical data	
Product function	
<ul style="list-style-type: none"> <li>Reverse polarity protection</li> </ul>	Yes; Ribbon cable can be rotated 180°.
<ul style="list-style-type: none"> <li>Diagnostics function</li> </ul>	Yes
Firmware version	1.0.0
Hardware version	1
Software version with STEP 7 in the TIA Portal required	V13 SP1 (V13 SP1 and V14 with HSP0132)
Power loss [W] typical	0.115 W
Degree of pollution	3

<b>Type of voltage</b>	
• of the operating voltage	DC
• of the input voltage	DC
<b>Surge voltage resistance rated value</b>	0.8 kV
<b>Consumed current</b>	
• maximum	27 mA
• Rated value	23 mA
<b>Protection class IP</b>	IP20
<b>Reference code acc. to DIN EN 81346-2</b>	K

#### Communication/ Protocol

<b>Protocol is supported</b>	
• PROFI-safe protocol	No

#### Connections/ Terminals

<b>Type of electrical connection</b>	Insulation displacement connection
<b>Type of connectable conductor cross-sections</b>	Ribbon cable 7-pole, 7 x 0.08 mm <sup>2</sup>
<b>Connectable conductor cross-section for auxiliary contacts</b>	
• single or multi-stranded	0.08 ... 0.08 mm <sup>2</sup>
• finely stranded with core end processing	0.08 mm <sup>2</sup>
<b>Connectable conductor cross-section</b>	
• solid	0.08 ... 0.08 mm <sup>2</sup>
• solid with core end processing	0.08 ... 0.08 mm <sup>2</sup>
• finely stranded with core end processing	0.08 ... 0.08 mm <sup>2</sup>
• finely stranded without core end processing	0.08 ... 0.08 mm <sup>2</sup>
<b>AWG number as coded connectable conductor cross section</b>	28 ... 28

#### Lamp

<b>Color of the light source</b>	red
----------------------------------	-----

#### Safety related data

<b>Service life maximum</b>	20 y
-----------------------------	------

#### Ambient conditions

Environmental category during operation acc. to IEC 60721	3M6, 3S2, 3B2, 3K6 (with relative air humidity of 10 ... 95 %, no condensation in operation permitted)
<b>Explosion protection marking for intrinsic safety of related equipment EEx ia</b>	No
<b>Explosion protection marking for intrinsic safety of related equipment EEx ib</b>	No

#### Installation/ mounting/ dimensions

Mounting type of modules and accessories	Front plate mounting
<b>Height</b>	32.6 mm
<b>Width</b>	30 mm

Depth

31.5 mm

## Certificates/ approvals

### General Product Approval



EG-Konf.

EG-Konf.

EG-Konf.

EG-Konf.

[Miscellaneous](#)

[Type Test Certificates/Test Report](#)

[Special Test Certificate](#)

### other

[Confirmation](#)

## Further information

### Information- and Downloadcenter (Catalogs, Brochures,...)

<https://www.siemens.com/ic10>

### Industry Mall (Online ordering system)

<https://mall.industry.siemens.com/mall/en/en/Catalog/product?mlfb=3SU1401-1ME20-1DA1>

### Cax online generator

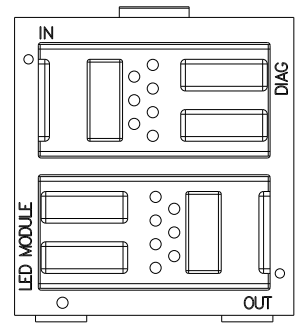
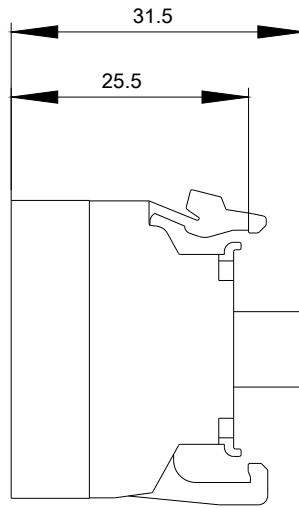
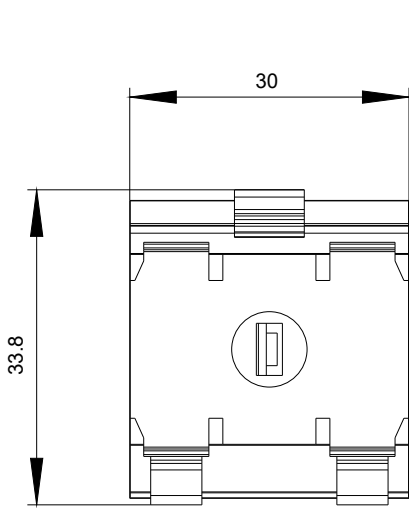
<http://support.automation.siemens.com/WW/CAXorder/default.aspx?lang=en&mlfb=3SU1401-1ME20-1DA1>

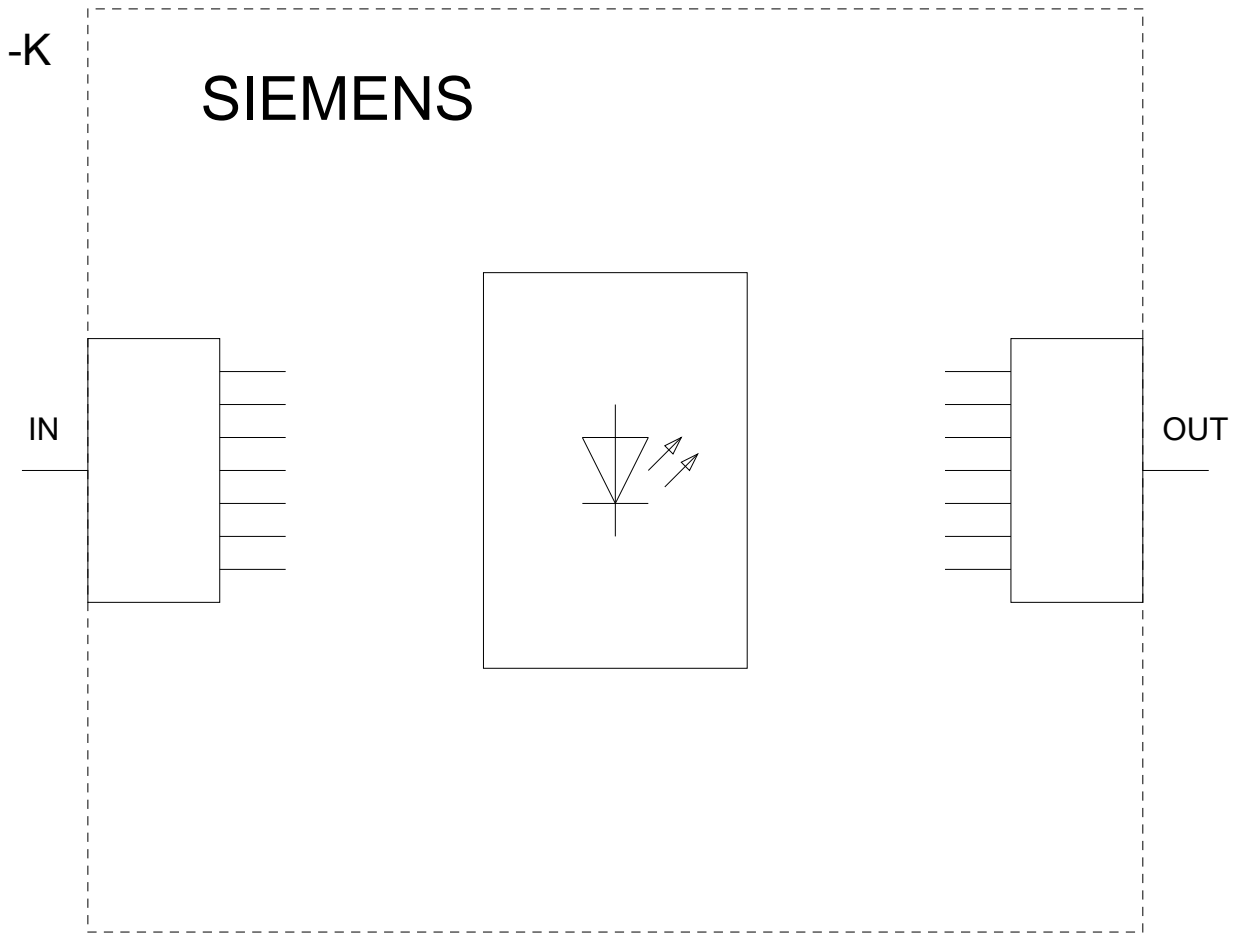
### Service&Support (Manuals, Certificates, Characteristics, FAQs,...)

<https://support.industry.siemens.com/cs/ww/en/ps/3SU1401-1ME20-1DA1>

### Image database (product images, 2D dimension drawings, 3D models, device circuit diagrams, EPLAN macros, ...)

[http://www.automation.siemens.com/bilddb/cax\\_de.aspx?mlfb=3SU1401-1ME20-1DA1&lang=en](http://www.automation.siemens.com/bilddb/cax_de.aspx?mlfb=3SU1401-1ME20-1DA1&lang=en)





last modified:

03/08/2020