

LED test module Operating voltage 6-240 V AC/DC, screw terminal, for floor mounting, for LED modules (6-24 V AC/DC, 24 V AC/DC, 24-240 V AC/DC)



|                                 |                 |
|---------------------------------|-----------------|
| <b>Product brand name</b>       | SIRIUS ACT      |
| <b>Product designation</b>      | LED test module |
| <b>Product type designation</b> | 3SU1            |

**General technical data**

|                                                                                                                                          |                                                                                           |
|------------------------------------------------------------------------------------------------------------------------------------------|-------------------------------------------------------------------------------------------|
| <b>Product component</b>                                                                                                                 |                                                                                           |
| <ul style="list-style-type: none"> <li>• diode</li> <li>• lamp transformer</li> <li>• Light source</li> <li>• series resistor</li> </ul> | <ul style="list-style-type: none"> <li>Yes</li> <li>No</li> <li>No</li> <li>No</li> </ul> |
| <b>Insulation voltage</b>                                                                                                                |                                                                                           |
| <ul style="list-style-type: none"> <li>• rated value</li> </ul>                                                                          | 320 V                                                                                     |
| <b>Degree of pollution</b>                                                                                                               | 3                                                                                         |
| <b>Type of voltage</b>                                                                                                                   |                                                                                           |
| <ul style="list-style-type: none"> <li>• of the operating voltage</li> <li>• for actuation</li> </ul>                                    | <ul style="list-style-type: none"> <li>AC/DC</li> <li>AC/DC</li> </ul>                    |
| <b>Surge voltage resistance rated value</b>                                                                                              | 4 kV                                                                                      |
| <b>Consumed current</b>                                                                                                                  |                                                                                           |
| <ul style="list-style-type: none"> <li>• maximum</li> </ul>                                                                              | 0 mA                                                                                      |
| <b>Protection class IP</b>                                                                                                               |                                                                                           |

|                                                                                                                                                                                                                                                                                |                                                                     |
|--------------------------------------------------------------------------------------------------------------------------------------------------------------------------------------------------------------------------------------------------------------------------------|---------------------------------------------------------------------|
| <ul style="list-style-type: none"> <li>• of the enclosure</li> <li>• of the terminal</li> </ul>                                                                                                                                                                                | <p>IP40</p> <p>IP20</p>                                             |
| <b>Shock resistance</b> <ul style="list-style-type: none"> <li>• acc. to IEC 60068-2-27</li> <li>• for railway applications acc. to DIN EN 61373</li> </ul>                                                                                                                    | <p>Sinusoidal half-wave 50 g / 11 ms</p> <p>Category 1, Class B</p> |
| <b>Vibration resistance</b> <ul style="list-style-type: none"> <li>• acc. to IEC 60068-2-6</li> <li>• for railway applications acc. to DIN EN 61373</li> </ul>                                                                                                                 | <p>10 ... 500 Hz: 5g</p> <p>Category 1, Class B</p>                 |
| <b>Operating period typical</b>                                                                                                                                                                                                                                                | 100 000 h                                                           |
| <b>Reference code acc. to DIN EN 81346-2</b>                                                                                                                                                                                                                                   | W                                                                   |
| <b>Reference code acc. to DIN EN 61346-2</b>                                                                                                                                                                                                                                   | W                                                                   |
| <b>Operating voltage</b> <ul style="list-style-type: none"> <li>• at AC <ul style="list-style-type: none"> <li>— at 50 Hz rated value</li> <li>— at 60 Hz rated value</li> </ul> </li> <li>• at DC <ul style="list-style-type: none"> <li>— rated value</li> </ul> </li> </ul> | <p>24 ... 240 V</p> <p>6 ... 240 V</p> <p>24 ... 240 V</p>          |
| <b>Relative positive tolerance of the operating voltage</b>                                                                                                                                                                                                                    | 20 %                                                                |
| <b>Relative negative tolerance of the operating voltage</b>                                                                                                                                                                                                                    | 20 %                                                                |

#### Control circuit/ Control

|                               |     |
|-------------------------------|-----|
| <b>Inrush current maximum</b> | 3 A |
|-------------------------------|-----|

#### Connections/ Terminals

|                                                                                                                                                                                                                                                                                                                             |                                                                                                                                                                                    |
|-----------------------------------------------------------------------------------------------------------------------------------------------------------------------------------------------------------------------------------------------------------------------------------------------------------------------------|------------------------------------------------------------------------------------------------------------------------------------------------------------------------------------|
| <b>Type of electrical connection</b>                                                                                                                                                                                                                                                                                        | screw-type terminals                                                                                                                                                               |
| <b>Type of connectable conductor cross-sections</b> <ul style="list-style-type: none"> <li>• solid with core end processing</li> <li>• solid without core end processing</li> <li>• finely stranded with core end processing</li> <li>• finely stranded without core end processing</li> <li>• at AWG conductors</li> </ul> | <p>2x (0.5 ... 0.75 mm<sup>2</sup>)</p> <p>2x (1.0 ... 1.5 mm<sup>2</sup>)</p> <p>2x (0.5 ... 1.5 mm<sup>2</sup>)</p> <p>2x (1,0 ... 1,5 mm<sup>2</sup>)</p> <p>2x (18 ... 14)</p> |
| <b>Tightening torque</b> <ul style="list-style-type: none"> <li>• with screw-type terminals</li> </ul>                                                                                                                                                                                                                      | 0.8 ... 0.9 N·m                                                                                                                                                                    |
| <b>Certificate of suitability</b> <ul style="list-style-type: none"> <li>• ATEX</li> <li>• IECEx</li> </ul>                                                                                                                                                                                                                 | <p>No</p> <p>No</p>                                                                                                                                                                |

#### Ambient conditions

|                                                                                                                           |                                                                                                        |
|---------------------------------------------------------------------------------------------------------------------------|--------------------------------------------------------------------------------------------------------|
| <b>Ambient temperature</b> <ul style="list-style-type: none"> <li>• during operation</li> <li>• during storage</li> </ul> | <p>-25 ... +70 °C</p> <p>-40 ... +80 °C</p>                                                            |
| Environmental category during operation acc. to IEC 60721                                                                 | 3M6, 3S2, 3B2, 3K6 (with relative air humidity of 10 ... 95 %, no condensation in operation permitted) |

#### Installation/ mounting/ dimensions

|                                                      |                |
|------------------------------------------------------|----------------|
| <b>Mounting type</b><br>• of modules and accessories | Floor mounting |
| <b>Height</b>                                        | 36 mm          |
| <b>Width</b>                                         | 9.8 mm         |
| <b>Depth</b>                                         | 25 mm          |

### Certificates/ approvals

|                                 |            |                                  |
|---------------------------------|------------|----------------------------------|
| <b>General Product Approval</b> | <b>EMC</b> | <b>Declaration of Conformity</b> |
|---------------------------------|------------|----------------------------------|



|                                  |                          |                          |
|----------------------------------|--------------------------|--------------------------|
| <b>Declaration of Conformity</b> | <b>Test Certificates</b> | <b>Marine / Shipping</b> |
|----------------------------------|--------------------------|--------------------------|

[Miscellaneous](#)

[Type Test Certificates/Test Report](#)

[Special Test Certificate](#)



|                          |              |
|--------------------------|--------------|
| <b>Marine / Shipping</b> | <b>other</b> |
|--------------------------|--------------|



[Confirmation](#)

### Further information

**Information- and Downloadcenter (Catalogs, Brochures,...)**

<https://www.siemens.com/ic10>

**Industry Mall (Online ordering system)**

<https://mall.industry.siemens.com/mall/en/en/Catalog/product?mlfb=3SU1400-2CK10-1AA0>

**Cax online generator**

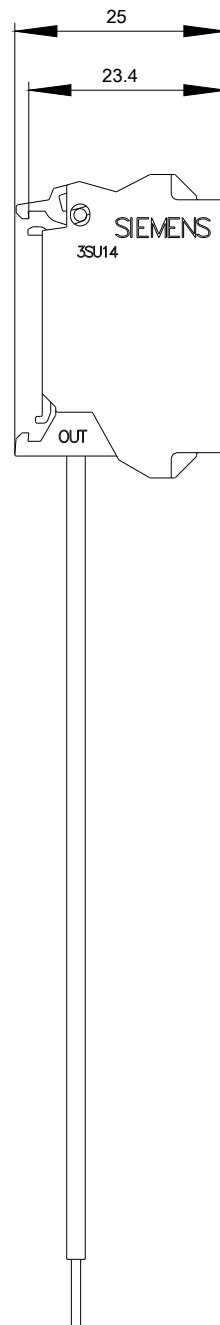
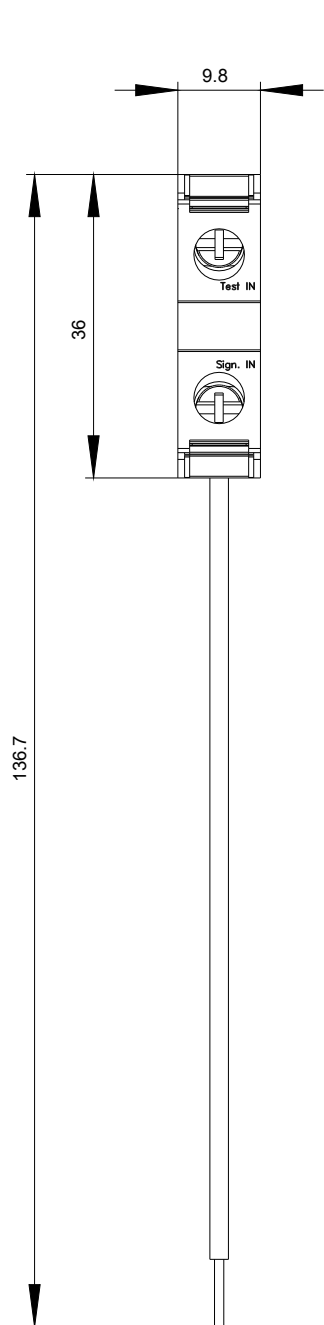
<http://support.automation.siemens.com/WW/CAXorder/default.aspx?lang=en&mlfb=3SU1400-2CK10-1AA0>

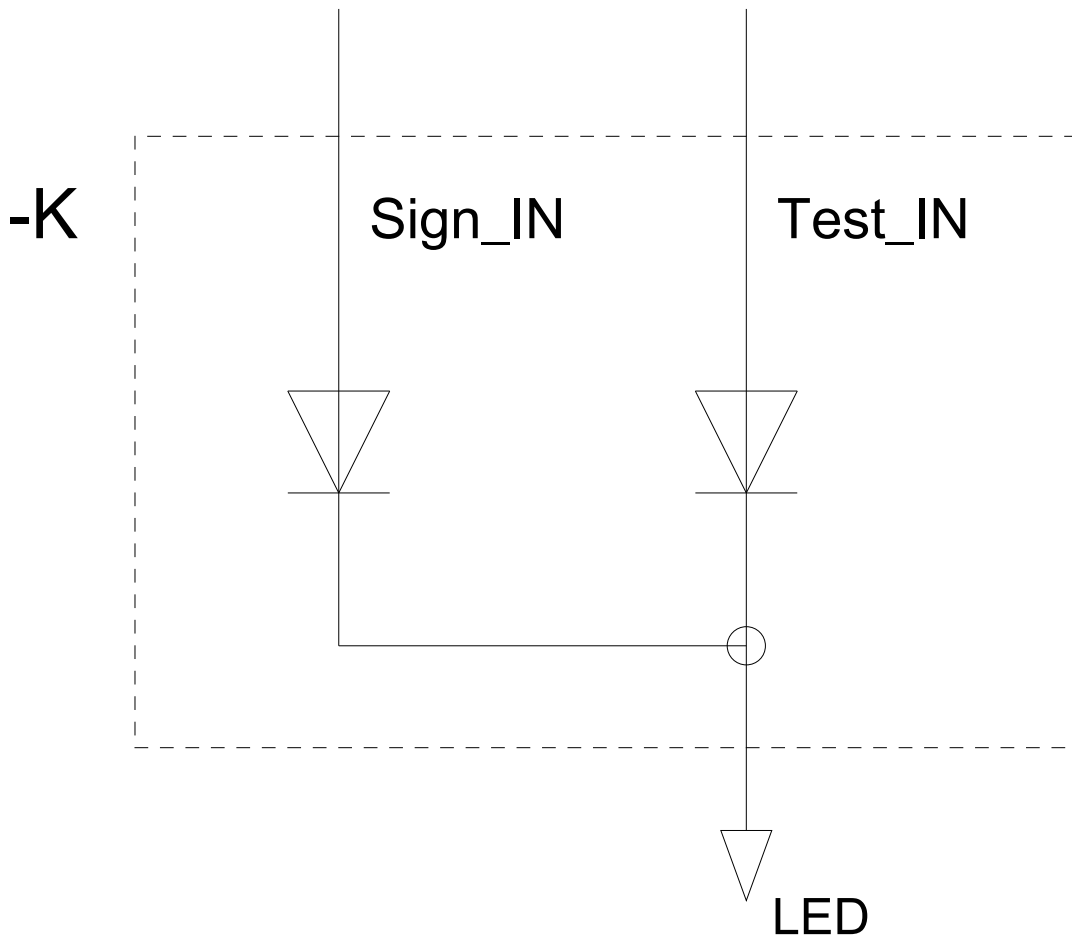
**Service&Support (Manuals, Certificates, Characteristics, FAQs,...)**

<https://support.industry.siemens.com/cs/ww/en/ps/3SU1400-2CK10-1AA0>

**Image database (product images, 2D dimension drawings, 3D models, device circuit diagrams, EPLAN macros, ...)**

[http://www.automation.siemens.com/bilddb/cax\\_de.aspx?mlfb=3SU1400-2CK10-1AA0&lang=en](http://www.automation.siemens.com/bilddb/cax_de.aspx?mlfb=3SU1400-2CK10-1AA0&lang=en)





last modified:

03/10/2020