

Support terminal, black, spring-type terminal, for front plate mounting



| | |
|--------------------------|------------------|
| Product brand name | SIRIUS ACT |
| Product designation | Support terminal |
| Product type designation | 3SU1 |

General technical data

| | |
|---------------------------------------|------|
| Suitability for integration | yes |
| Degree of pollution | 3 |
| Surge voltage resistance rated value | 6 kV |
| Protection class IP | |
| • of the enclosure | IP40 |
| • of the terminal | IP20 |
| Reference code acc. to DIN EN 81346-2 | S |
| Reference code acc. to DIN EN 61346-2 | S |

Connections/ Terminals

| | |
|-------------------------------|-------------------------|
| Type of electrical connection | spring-loaded terminals |
| • of modules and accessories | Spring-type terminal |

Ambient conditions

| | |
|---------------------|----------------|
| Ambient temperature | |
| • during operation | -25 ... +70 °C |

- during storage

-40 ... +80 °C

Installation/ mounting/ dimensions

| | |
|------------------------------|----------------------|
| Mounting type | Front plate mounting |
| • of modules and accessories | |
| Height | 36 mm |
| Width | 9.8 mm |
| Depth | 23.4 mm |

Certificates/ approvals

| General Product Approval | Declaration of Conformity | Test Certificates | Marine / Shipping |
|--------------------------|---------------------------|-------------------|-------------------|
|--------------------------|---------------------------|-------------------|-------------------|



[Miscellaneous](#)

[Type Test Certificates/Test Report](#)



| Marine / Shipping | other |
|-------------------|-------|
|-------------------|-------|



[Confirmation](#)

Further information

Information- and Downloadcenter (Catalogs, Brochures,...)

<https://www.siemens.com/ic10>

Industry Mall (Online ordering system)

<https://mall.industry.siemens.com/mall/en/en/Catalog/product?mfb=3SU1400-1DA10-3AA0>

Cax online generator

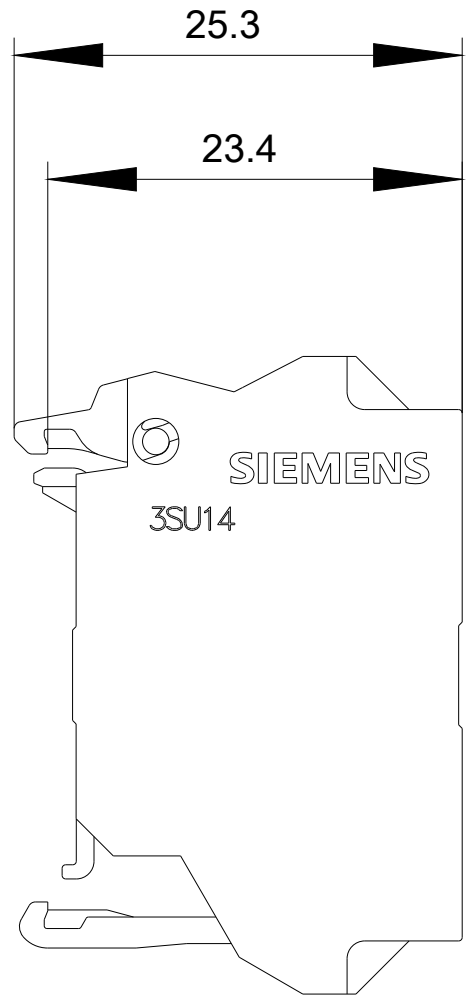
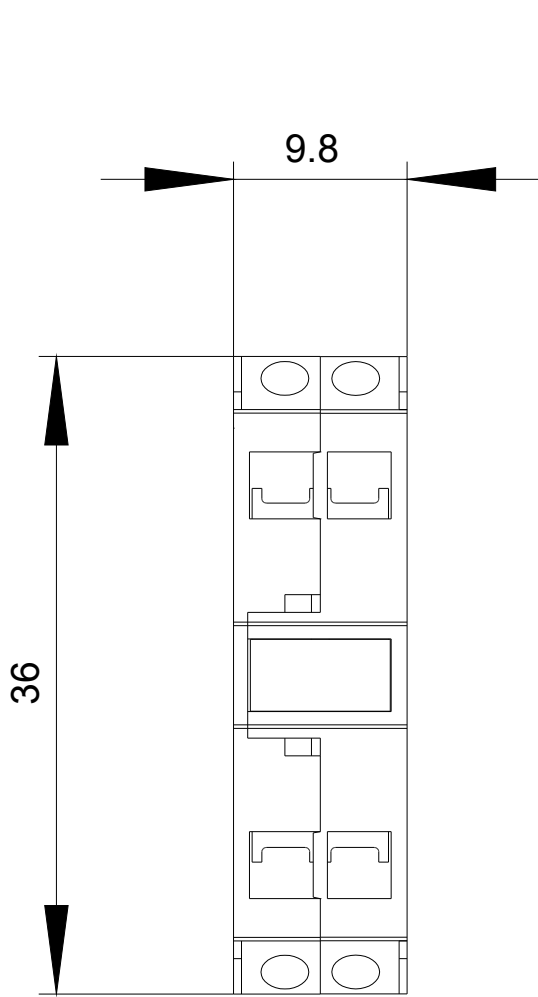
<http://support.automation.siemens.com/WW/CAXorder/default.aspx?lang=en&mfb=3SU1400-1DA10-3AA0>

Service&Support (Manuals, Certificates, Characteristics, FAQs,...)

<https://support.industry.siemens.com/cs/ww/en/ps/3SU1400-1DA10-3AA0>

Image database (product images, 2D dimension drawings, 3D models, device circuit diagrams, EPLAN macros, ...)

http://www.automation.siemens.com/bilddb/cax_de.aspx?mfb=3SU1400-1DA10-3AA0&lang=en



last modified:

02/22/2020