

Pushbutton, compact, with extended stroke (12 mm), 22 mm, round, metal, red, pushbutton, flat, momentary contact type, with holder



|   |                                  |
|---|----------------------------------|
| Product brand name                          | SIRIUS ACT                       |
| Product designation                         | Pushbuttons                      |
| Design of the product                       | Complete unit                    |
| Product type designation                    | 3SU1                             |
| Product line                                | Metal, shiny, 22 mm              |
| <b>Enclosure</b>                            |                                  |
| Number of command points                    | 1                                |
| <b>Actuator</b>                             |                                  |
| Design of the operating mechanism           | Flat button with extended stroke |
| Manner of function of the actuating element | momentary contact type           |
| Product extension optional Light source     | No                               |
| Color                                       |                                  |
| • of the actuating element                  | red                              |
| Material of the actuating element           | plastic                          |
| Shape of the actuating element              | round                            |
| Outer diameter of the actuating element     | 29.5 mm                          |
| <b>Front ring</b>                           |                                  |
| Product component front ring                | Yes                              |

|                                   |                   |
|-----------------------------------|-------------------|
| <b>Design of the front ring</b>   | Standard          |
| <b>Material of the front ring</b> | Metal, high gloss |
| <b>Color of the front ring</b>    | silver            |

### General technical data

|   |  |
|---|--|
| <b>Protection class IP</b>  | IP66, IP67, IP69(IP69K)                                  |
| <b>Degree of protection NEMA rating</b>   | 1, 2, 3, 3R, 4, 4X, 12, 13                               |
| <b>Shock resistance</b>   |  |
| <ul style="list-style-type: none"> <li>• acc. to IEC 60068-2-27</li> <li>• for railway applications acc. to DIN EN 61373</li> </ul> | Sinusoidal half-wave 50 g / 11 ms<br>Category 1, Class B |
| <b>Vibration resistance</b>   |  |
| <ul style="list-style-type: none"> <li>• acc. to IEC 60068-2-6</li> <li>• for railway applications acc. to DIN EN 61373</li> </ul>  | 10 ... 500 Hz: 5g<br>Category 1, Class B                 |
| <b>Operating frequency maximum</b>  | 3 600 1/h  |
| <b>Mechanical service life (switching cycles)</b>   |  |
| <ul style="list-style-type: none"> <li>• typical</li> </ul>   | 5 000 000  |
| <b>Reference code acc. to DIN EN 81346-2</b>  | S  |
| <b>Reference code acc. to DIN EN 61346-2</b>  | S  |

### Ambient conditions

|  |   |
|--|---|
| <b>Ambient temperature</b>   |   |
| <ul style="list-style-type: none"> <li>• during operation</li> <li>• during storage</li> </ul> | -25 ... +70 °C<br>-40 ... +80 °C                                    |
| Environmental category during operation acc. to IEC 60721                                      | 3M6, 3S2, 3B2, 3C3, 3K6 (with relative air humidity of 10 ... 95 %) |

### Installation/ mounting/ dimensions

|  |         |
|--|---------|
| <b>Height</b>                                      | 40 mm   |
| <b>Width</b>                                       | 30 mm   |
| <b>Shape of the installation opening</b>           | round   |
| <b>Mounting diameter</b>                           | 22.3 mm |
| <b>Positive tolerance of installation diameter</b> | 0.4 mm  |
| <b>Mounting height</b>                             | 20.3 mm |
| <b>Installation width</b>                          | 29.5 mm |
| <b>Installation depth</b>                          | 30.9 mm |

### Certificates/ approvals

|   |   |   |   |   |
|---|---|---|---|---|
| General Product Approval  |   | Declaration of Conformity   |   | Test Certificates   |
|  |  |  |  | <a href="#">Miscellaneous</a><br><a href="#">Type Test Certificates/Test Report</a> |

|  |                              |
|--|------------------------------|
| Test Certificates                        | other                        |
| <a href="#">Special Test Certificate</a> | <a href="#">Confirmation</a> |

#### Further information

**Information- and Downloadcenter (Catalogs, Brochures,...)**

<https://www.siemens.com/ic10>

**Industry Mall (Online ordering system)**

<https://mall.industry.siemens.com/mall/en/en/Catalog/product?mlfb=3SU1250-0EB20-0AA0>

**Cax online generator**

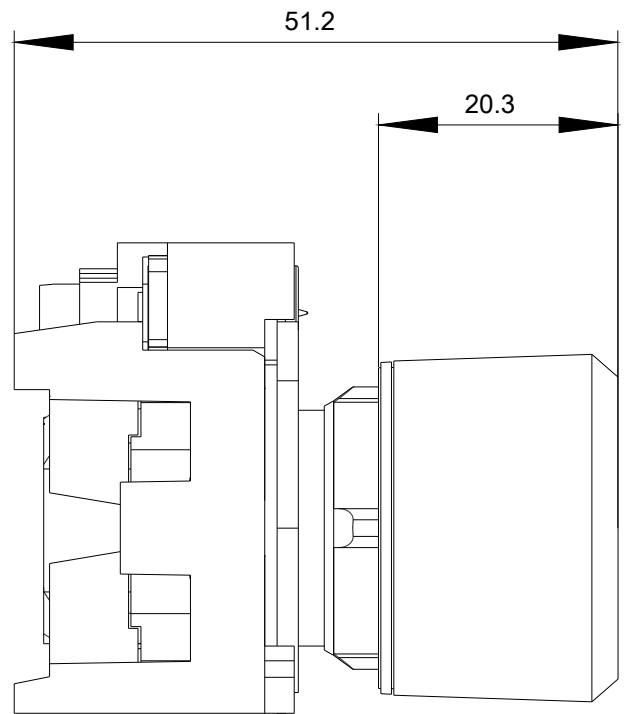
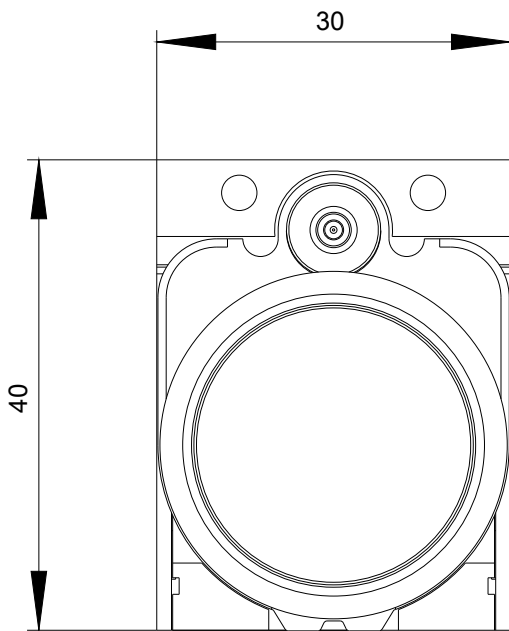
<http://support.automation.siemens.com/WW/CAXorder/default.aspx?lang=en&mlfb=3SU1250-0EB20-0AA0>

**Service&Support (Manuals, Certificates, Characteristics, FAQs,...)**

<https://support.industry.siemens.com/cs/ww/en/ps/3SU1250-0EB20-0AA0>

**Image database (product images, 2D dimension drawings, 3D models, device circuit diagrams, EPLAN macros, ...)**

[http://www.automation.siemens.com/bilddb/cax\\_de.aspx?mlfb=3SU1250-0EB20-0AA0&lang=en](http://www.automation.siemens.com/bilddb/cax_de.aspx?mlfb=3SU1250-0EB20-0AA0&lang=en)



last modified:

02/18/2020