

EMERGENCY STOP mushroom pushbutton, 22 mm, round, metal, shiny, red, 40 mm, positive latching, acc. to EN ISO 13850, rotate-to-unlatch, with yellow backing plate, inscription: EMERGENCY STOP, with holder, 1 NO+1 NC, screw terminal



| | |
|--------------------------------------|---|
| Product brand name | SIRIUS ACT |
| Product designation | EMERGENCY STOP mushroom pushbuttons |
| Design of the product | Complete unit |
| Product type designation | 3SU1 |
| Product line | Metal, shiny, 22 mm |
| Manufacturer's article number | <ul style="list-style-type: none"> • 1 of supplied contact module 3SU1400-1AA10-1FA0 • of the supplied holder 3SU1550-0AA10-0AA0 • of the supplied actuator 3SU1050-1HB20-0AA0 • of supplied accessory 3SU1900-0BC31-0DA0 |

| | |
|---------------------------------|---|
| Enclosure | |
| Number of command points | 1 |

| | |
|--|--|
| Actuator | |
| Design of the operating mechanism | positive latching |
| Manner of function of the actuating element | latching |
| Product extension optional Light source | No |
| Color | <ul style="list-style-type: none"> • of the actuating element red |

| | |
|---|-----------------------------|
| Material of the actuating element | plastic |
| Shape of the actuating element | round |
| Outer diameter of the actuating element | 40 mm |
| Number of contact modules | 1 |
| Type of unlocking device | rotate-to-unlatch mechanism |

Front ring

| | |
|------------------------------|----|
| Product component front ring | No |
|------------------------------|----|

Holder

| | |
|------------------------|-------|
| Material of the holder | Metal |
|------------------------|-------|

Display

| | |
|-----------------------|---|
| Number of LED modules | 0 |
|-----------------------|---|

General technical data

| | |
|---|--|
| Product function | |
| • positive opening | Yes |
| • EMERGENCY OFF function | Yes |
| • EMERGENCY STOP function | Yes |
| Product component | |
| • Light source | No |
| Insulation voltage | |
| • rated value | 500 V |
| Degree of pollution | 3 |
| Type of voltage | |
| • of the operating voltage | AC/DC |
| Surge voltage resistance rated value | 6 kV |
| Protection class IP | IP66, IP67, IP69(IP69K) |
| • of the terminal | IP20 |
| Degree of protection NEMA rating | 1, 2, 3, 3R, 4, 4X, 12, 13 |
| Shock resistance | |
| • acc. to IEC 60068-2-27 | Sinusoidal half-wave 50 g / 11 ms |
| Vibration resistance | |
| • acc. to IEC 60068-2-6 | 10 ... 500 Hz: 5g |
| Operating frequency maximum | 600 1/h |
| Mechanical service life (switching cycles) | |
| • typical | 300 000 |
| Electrical endurance (switching cycles) | |
| • typical | 300 000 |
| Thermal current | 10 A |
| Reference code acc. to DIN EN 81346-2 | S |
| Reference code acc. to DIN EN 61346-2 | S |
| Continuous current of the C characteristic MCB | 10 A; for a short-circuit current smaller than 400 A |
| Continuous current of the quick DIAZED fuse link | 10 A |

| | |
|---|---|
| Continuous current of the DIAZED fuse link gG | 10 A |
| Operating voltage | |
| <ul style="list-style-type: none"> • at AC <ul style="list-style-type: none"> — at 50 Hz rated value — at 60 Hz rated value • at DC <ul style="list-style-type: none"> — rated value | 5 ... 500 V 5 ... 500 V 5 ... 500 V |

| | |
|----------------------------|--|
| Power Electronics | |
| Contact reliability | One maloperation per 100 million (17 V, 5 mA), one maloperation per 10 million (5 V, 1 mA) |

| | |
|---|--------------|
| Auxiliary circuit | |
| Design of the contact of auxiliary contacts | Silver alloy |
| Number of NC contacts for auxiliary contacts | 1 |
| Number of NO contacts for auxiliary contacts | 1 |

| | |
|---|---|
| Connections/ Terminals | |
| Type of electrical connection | |
| <ul style="list-style-type: none"> • of modules and accessories | Screw-type terminal |
| Type of connectable conductor cross-sections | |
| <ul style="list-style-type: none"> • solid with core end processing • solid without core end processing • finely stranded with core end processing • finely stranded without core end processing • at AWG conductors | 2x (0.5 ... 0.75 mm ²) 2x (1.0 ... 1.5 mm ²) 2x (0.5 ... 1.5 mm ²) 2x (1,0 ... 1,5 mm ²) 2x (18 ... 14) |
| Tightening torque of the screws in the bracket | 1 ... 1.2 N·m |
| Tightening torque | |
| <ul style="list-style-type: none"> • for auxiliary contacts with screw-type terminals | 0.8 ... 0.9 N·m |

| | |
|---|--------------|
| Safety related data | |
| B10 value | |
| <ul style="list-style-type: none"> • with high demand rate acc. to SN 31920 | 100 000 |
| Proportion of dangerous failures | |
| <ul style="list-style-type: none"> • with low demand rate acc. to SN 31920 • with high demand rate acc. to SN 31920 | 20 % 20 % |
| Failure rate [FIT] | |
| <ul style="list-style-type: none"> • with low demand rate acc. to SN 31920 | 100 FIT |
| T1 value for proof test interval or service life acc. to IEC 61508 | 20 y |

| | |
|--|----------------------------------|
| Ambient conditions | |
| Ambient temperature | |
| <ul style="list-style-type: none"> • during operation • during storage | -25 ... +70 °C -40 ... +80 °C |

| | |
|---|--|
| Environmental category during operation acc. to IEC 60721 | 3M6, 3S2, 3B2, 3C3, 3K6 (with relative air humidity of 10 ... 95 %, no condensation in operation permitted for all devices behind front panel) |
|---|--|

Installation/ mounting/ dimensions

| | |
|--|----------------------|
| Mounting type | front panel mounting |
| • of modules and accessories | Front plate mounting |
| Height | 40 mm |
| Width | 30 mm |
| Shape of the installation opening | round |
| Mounting diameter | 22.3 mm |
| Positive tolerance of installation diameter | 0.4 mm |
| Mounting height | 46.4 mm |
| Installation width | 75 mm |
| Installation depth | 70.6 mm |

Accessories

| | |
|---------------------------------|----------------|
| Number of backing plates | 1 |
| Marking of backing plate | EMERGENCY STOP |
| Color of backing plate | Yellow |

Certificates/ approvals

| General Product Approval | Declaration of Conformity |
|--------------------------|---------------------------|
|--------------------------|---------------------------|



[Miscellaneous](#)

| Test Certificates | Marine / Shipping |
|-------------------|-------------------|
|-------------------|-------------------|

[Type Test Certificates/Test Report](#)

[Special Test Certificate](#)



| Marine / Shipping | other |
|-------------------|-------|
|-------------------|-------|



[Confirmation](#)

Further information

Information- and Downloadcenter (Catalogs, Brochures,...)

<https://www.siemens.com/ic10>

Industry Mall (Online ordering system)

<https://mall.industry.siemens.com/mall/en/en/Catalog/product?mlfb=3SU1150-1HB20-1FG0>

Cax online generator

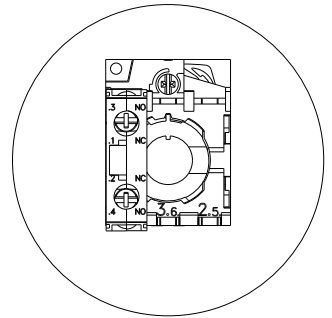
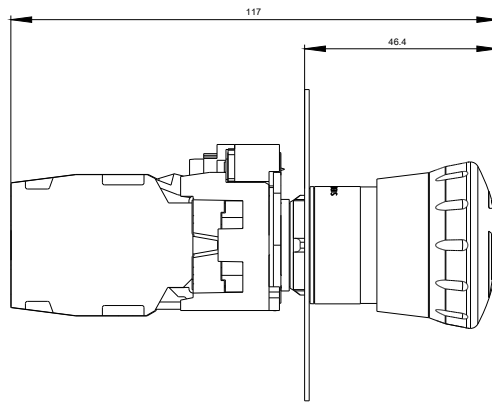
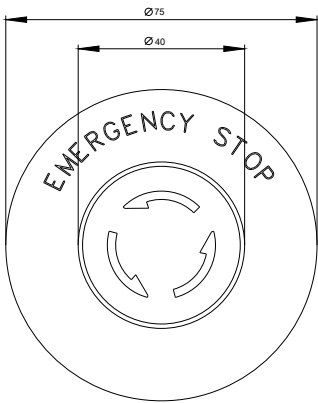
<http://support.automation.siemens.com/WW/CAXorder/default.aspx?lang=en&mlfb=3SU1150-1HB20-1FG0>

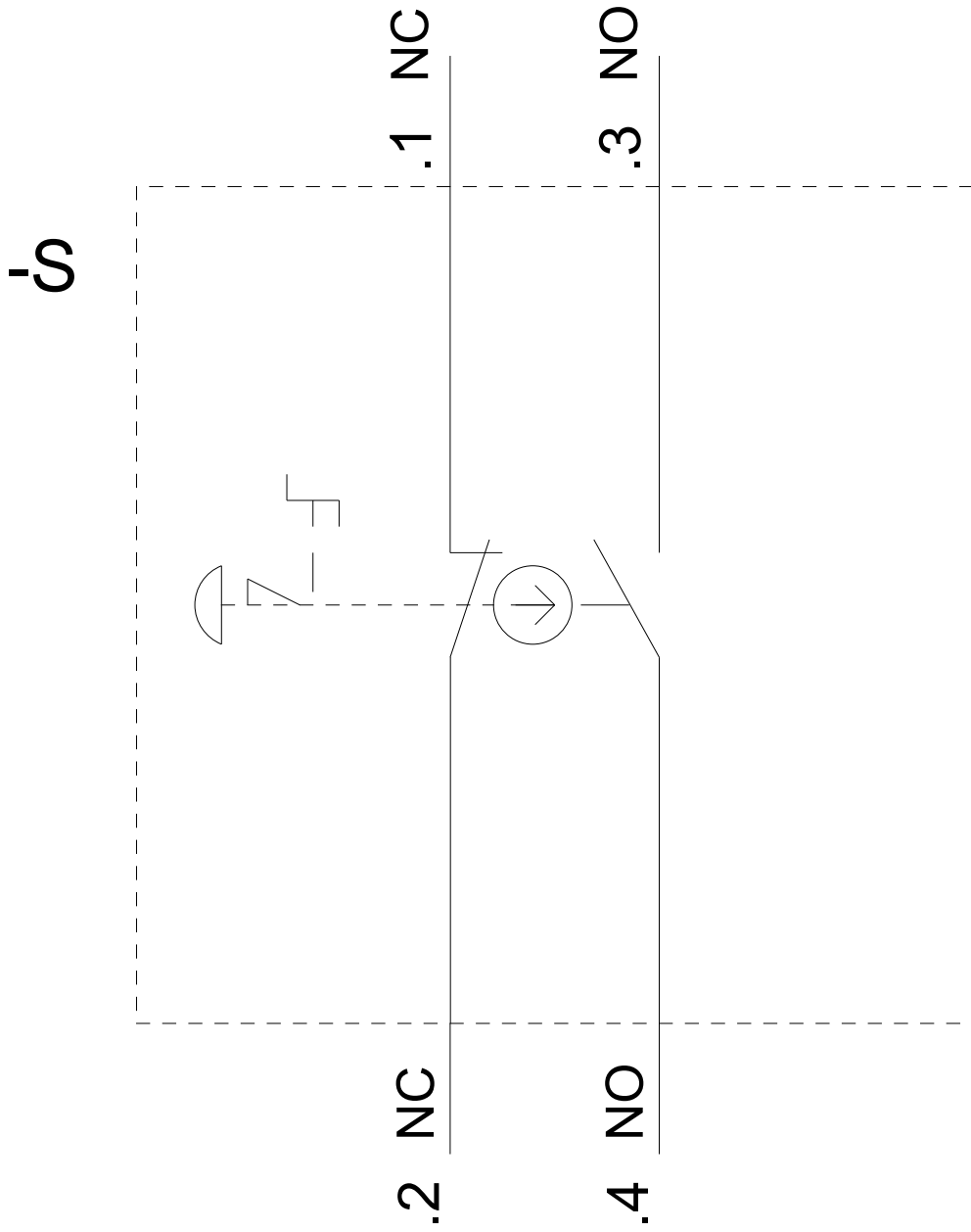
Service&Support (Manuals, Certificates, Characteristics, FAQs,...)

<https://support.industry.siemens.com/cs/ww/en/ps/3SU1150-1HB20-1FG0>

Image database (product images, 2D dimension drawings, 3D models, device circuit diagrams, EPLAN macros, ...)

http://www.automation.siemens.com/bilddb/cax_de.aspx?mlfb=3SU1150-1HB20-1FG0&lang=en





last modified:

03/10/2020