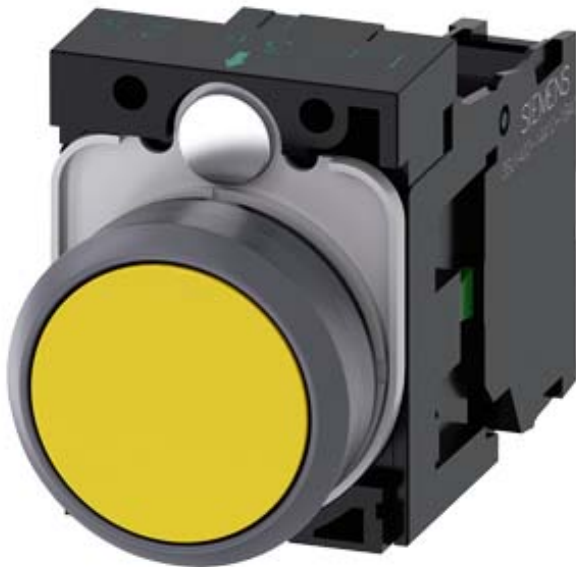


Pushbutton, 22 mm, round, plastic with metal front ring, yellow, pushbutton, flat, momentary contact type, with holder, 1 NO, screw terminal



|                                      |   |
|--------------------------------------|---|
| <b>Product brand name</b>            | SIRIUS ACT  |
| <b>Product designation</b>           | Pushbuttons   |
| <b>Design of the product</b>         | Complete unit   |
| <b>Product type designation</b>      | 3SU1  |
| <b>Product line</b>                  | Plastic with metal front ring, matt, 22 mm  |
| <b>Manufacturer's article number</b> | <ul style="list-style-type: none"> <li>• 1 of supplied contact module <a href="#">3SU1400-1AA10-1BA0</a></li> <li>• of the supplied holder <a href="#">3SU1500-0AA10-0AA0</a></li> <li>• of the supplied actuator <a href="#">3SU1030-0AB30-0AA0</a></li> </ul> |
| <b>Number of command points</b>      | 1   |

| Actuator   |   |
|--|---|
| <b>Design of the operating mechanism</b>           | Button, flat  |
| <b>Manner of function of the actuating element</b> | momentary contact type  |
| <b>Product extension optional Light source</b>     | No  |
| <b>Color</b>                                       | <ul style="list-style-type: none"> <li>• of the actuating element yellow</li> </ul> |
| <b>Material of the actuating element</b>           | plastic   |
| <b>Shape of the actuating element</b>              | round   |
| <b>Outer diameter of the actuating element</b>     | 29.45 mm  |

|   |  |
|---|--|
| Number of contact modules                               | 1  |
| <b>Front ring</b>                                       |  |
| Product component front ring                            | Yes  |
| Design of the front ring                                | Standard   |
| Material of the front ring                              | Metal, matt  |
| Color of the front ring                                 | sand gray  |
| <b>Holder</b>   |  |
| Material of the holder                                  | Plastic  |
| <b>Display</b>  |  |
| Number of LED modules                                   | 0  |
| <b>General technical data</b>                           |  |
| <b>Product function</b>                                 |  |
| • positive opening                                      | No   |
| <b>Product component</b>                                |  |
| • Light source  | No   |
| <b>Insulation voltage</b>                               |  |
| • rated value   | 500 V  |
| <b>Degree of pollution</b>                              | 3  |
| <b>Type of voltage</b>                                  |  |
| • of the operating voltage                              | AC/DC  |
| <b>Surge voltage resistance rated value</b>             | 6 kV   |
| <b>Protection class IP</b>                              | IP66, IP67, IP69(IP69K)                              |
| • of the terminal                                       | IP20   |
| <b>Degree of protection NEMA rating</b>                 | 1, 2, 3, 3R, 4, 4X, 12, 13                           |
| <b>Shock resistance</b>                                 |  |
| • acc. to IEC 60068-2-27                                | Sinusoidal half-wave 50 g / 11 ms                    |
| • for railway applications acc. to DIN EN 61373         | Category 1, Class B                                  |
| <b>Vibration resistance</b>                             |  |
| • acc. to IEC 60068-2-6                                 | 10 ... 500 Hz: 5g                                    |
| • for railway applications acc. to DIN EN 61373         | Category 1, Class B                                  |
| <b>Operating frequency maximum</b>                      | 3 600 1/h  |
| <b>Mechanical service life (switching cycles)</b>       |  |
| • typical   | 10 000 000   |
| <b>Electrical endurance (switching cycles)</b>          |  |
| • typical   | 10 000 000   |
| <b>Thermal current</b>                                  | 10 A   |
| <b>Reference code acc. to DIN EN 81346-2</b>            | S  |
| <b>Reference code acc. to DIN EN 61346-2</b>            | S  |
| <b>Continuous current of the C characteristic MCB</b>   | 10 A; for a short-circuit current smaller than 400 A |
| <b>Continuous current of the quick DIAZED fuse link</b> | 10 A   |
| <b>Continuous current of the DIAZED fuse link gG</b>    | 10 A   |

|   |  |
|---|--|
| <b>Operating voltage</b>  |  |
| <ul style="list-style-type: none"> <li>• at AC <ul style="list-style-type: none"> <li>— at 50 Hz rated value</li> <li>— at 60 Hz rated value</li> </ul> </li> <li>• at DC <ul style="list-style-type: none"> <li>— rated value</li> </ul> </li> </ul> | <p>5 ... 500 V</p> <p>5 ... 500 V</p> <p>5 ... 500 V</p> |

### Power Electronics

|                            |  |
|----------------------------|--|
| <b>Contact reliability</b> | One maloperation per 100 million (17 V, 5 mA), one maloperation per 10 million (5 V, 1 mA) |
|----------------------------|--|

### Auxiliary circuit

|   |              |
|---|--------------|
| <b>Design of the contact of auxiliary contacts</b>  | Silver alloy |
| <b>Number of NC contacts for auxiliary contacts</b> | 0            |
| <b>Number of NO contacts for auxiliary contacts</b> | 1            |

### Connections/ Terminals

|   |  |
|---|--|
| <b>Type of electrical connection</b>  |  |
| <ul style="list-style-type: none"> <li>• of modules and accessories</li> </ul>  | Screw-type terminal  |
| <b>Type of connectable conductor cross-sections</b>   |  |
| <ul style="list-style-type: none"> <li>• solid with core end processing</li> <li>• solid without core end processing</li> <li>• finely stranded with core end processing</li> <li>• finely stranded without core end processing</li> <li>• at AWG conductors</li> </ul> | <p>2x (0.5 ... 0.75 mm<sup>2</sup>)</p> <p>2x (1.0 ... 1.5 mm<sup>2</sup>)</p> <p>2x (0.5 ... 1.5 mm<sup>2</sup>)</p> <p>2x (1,0 ... 1,5 mm<sup>2</sup>)</p> <p>2x (18 ... 14)</p> |
| <b>Tightening torque of the screws in the bracket</b>   | 1 ... 1.2 N·m  |
| <b>Tightening torque</b>  |  |
| <ul style="list-style-type: none"> <li>• with screw-type terminals</li> </ul>   | 0.8 ... 0.9 N·m  |

### Ambient conditions

|  |  |
|--|--|
| <b>Ambient temperature</b>   |  |
| <ul style="list-style-type: none"> <li>• during operation</li> <li>• during storage</li> </ul> | <p>-25 ... +70 °C</p> <p>-40 ... +80 °C</p>  |
| Environmental category during operation acc. to IEC 60721                                      | 3M6, 3S2, 3B2, 3C3, 3K6 (with relative air humidity of 10 ... 95 %, no condensation in operation permitted for all devices behind front panel) |

### Installation/ mounting/ dimensions

|  |                      |
|--|----------------------|
| <b>Mounting type</b>   | front panel mounting |
| <ul style="list-style-type: none"> <li>• of modules and accessories</li> </ul> | Front plate mounting |
| <b>Height</b>  | 40 mm                |
| <b>Width</b>   | 30 mm                |
| <b>Shape of the installation opening</b>                                       | round                |
| <b>Mounting diameter</b>   | 22.3 mm              |
| <b>Positive tolerance of installation diameter</b>                             | 0.4 mm               |
| <b>Mounting height</b>   | 11 mm                |

|                    |         |
|--------------------|---------|
| Installation width | 29.5 mm |
| Installation depth | 49.7 mm |

### Certificates/ approvals

|                          |                           |
|--------------------------|---------------------------|
| General Product Approval | Declaration of Conformity |
|--------------------------|---------------------------|



CCC



CSA



UL



EG-Konf.

[Miscellaneous](#)

|                   |                   |
|-------------------|-------------------|
| Test Certificates | Marine / Shipping |
|-------------------|-------------------|

[Special Test Certificate](#)

[Type Test Certificates/Test Report](#)



ABS



LRS



PRS



RINA

|                   |       |
|-------------------|-------|
| Marine / Shipping | other |
|-------------------|-------|



RMRS



DNV-GL  
DNVGL.COM/AF

[Confirmation](#)

### Further information

**Information- and Downloadcenter (Catalogs, Brochures,...)**

<https://www.siemens.com/ic10>

**Industry Mall (Online ordering system)**

<https://mall.industry.siemens.com/mall/en/en/Catalog/product?mlfb=3SU1130-0AB30-1BA0>

**Cax online generator**

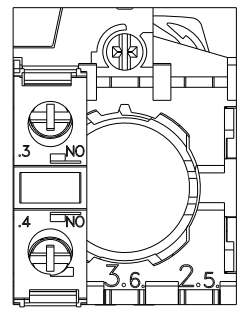
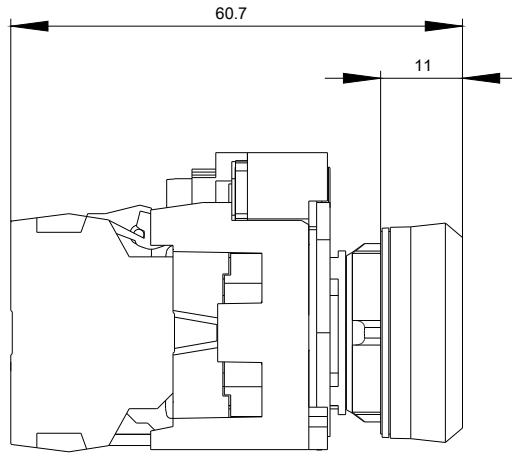
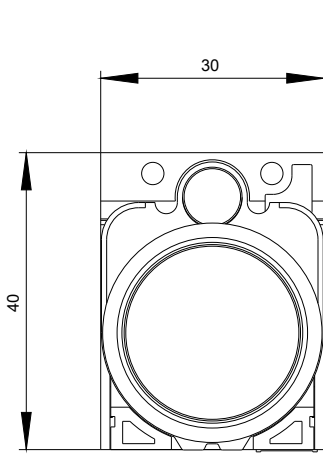
<http://support.automation.siemens.com/WW/CAXorder/default.aspx?lang=en&mlfb=3SU1130-0AB30-1BA0>

**Service&Support (Manuals, Certificates, Characteristics, FAQs,...)**

<https://support.industry.siemens.com/cs/ww/en/ps/3SU1130-0AB30-1BA0>

**Image database (product images, 2D dimension drawings, 3D models, device circuit diagrams, EPLAN macros, ...)**

[http://www.automation.siemens.com/bilddb/cax\\_de.aspx?mlfb=3SU1130-0AB30-1BA0&lang=en](http://www.automation.siemens.com/bilddb/cax_de.aspx?mlfb=3SU1130-0AB30-1BA0&lang=en)





last modified:

03/10/2020