

Indicator lights, 30 mm, round, metal, matte, yellow, front ring for flush installation,



|                          |                             |
|--------------------------|-----------------------------|
| Product brand name       | SIRIUS ACT                  |
| Product designation      | Indicator lights            |
| Design of the product    | Actuating/signaling element |
| Product type designation | 3SU1                        |
| Product line             | Metal, matt, flat, 30 mm    |

| Enclosure                |   |
|--------------------------|---|
| Number of command points | 1 |

| Actuator                                    |                               |
|---|-------------------------------|
| Design of the operating mechanism           | Illuminated pushbutton design |
| Manner of function of the actuating element | Fixed key                     |
| Product extension optional Light source     | Yes                           |
| Color                                       |                               |
| • of the actuating element                  | yellow                        |
| Material of the actuating element           | plastic                       |
| Shape of the actuating element              | round                         |
| Outer diameter of the actuating element     | 38 mm                         |

| Front ring                   |     |
|------------------------------|-----|
| Product component front ring | Yes |

|                                   |             |
|-----------------------------------|-------------|
| <b>Design of the front ring</b>   | Flat        |
| <b>Material of the front ring</b> | Metal, matt |
| <b>Color of the front ring</b>    | sand gray   |

### General technical data

|   |  |
|---|--|
| <b>Protection class IP</b>  | IP66, IP67, IP69(IP69K)                                  |
| <b>Degree of protection NEMA rating</b>   | 1, 2, 3, 3R, 4, 4X, 12, 13                               |
| <b>Shock resistance</b>   |  |
| <ul style="list-style-type: none"> <li>• acc. to IEC 60068-2-27</li> <li>• for railway applications acc. to DIN EN 61373</li> </ul> | Sinusoidal half-wave 50 g / 11 ms<br>Category 1, Class B |
| <b>Vibration resistance</b>   |  |
| <ul style="list-style-type: none"> <li>• acc. to IEC 60068-2-6</li> <li>• for railway applications acc. to DIN EN 61373</li> </ul>  | 10 ... 500 Hz: 5g<br>Category 1, Class B                 |
| <b>Reference code acc. to DIN EN 81346-2</b>  | S  |
| <b>Reference code acc. to DIN EN 61346-2</b>  | S  |

### Ambient conditions

|  |   |
|--|---|
| <b>Ambient temperature</b>   |   |
| <ul style="list-style-type: none"> <li>• during operation</li> <li>• during storage</li> </ul> | -25 ... +70 °C<br>-40 ... +80 °C                                    |
| Environmental category during operation acc. to IEC 60721                                      | 3M6, 3S2, 3B2, 3C3, 3K6 (with relative air humidity of 10 ... 95 %) |

### Installation/ mounting/ dimensions

|  |         |
|--|---------|
| <b>Height</b>                                      | 38 mm   |
| <b>Width</b>                                       | 38 mm   |
| <b>Shape of the installation opening</b>           | round   |
| <b>Mounting diameter</b>                           | 30.5 mm |
| <b>Positive tolerance of installation diameter</b> | 0.5 mm  |
| <b>Mounting height</b>                             | 4.2 mm  |
| <b>Installation width</b>                          | 38 mm   |
| <b>Installation depth</b>                          | 31.1 mm |

### Certificates/ approvals

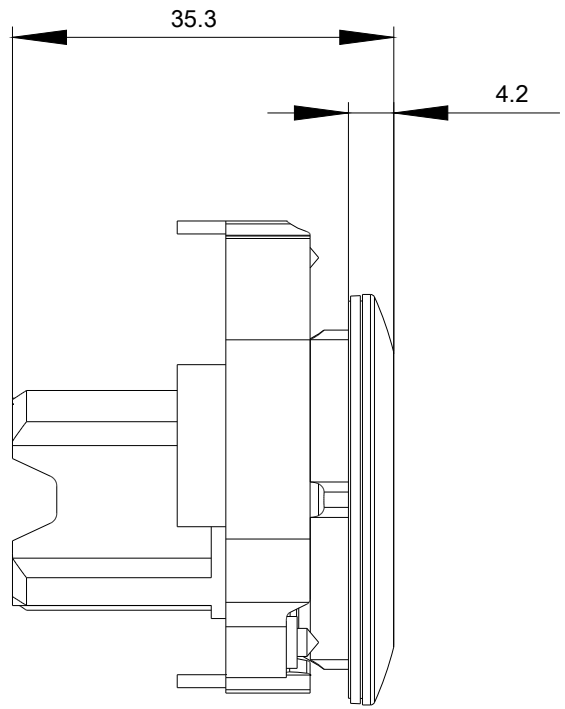
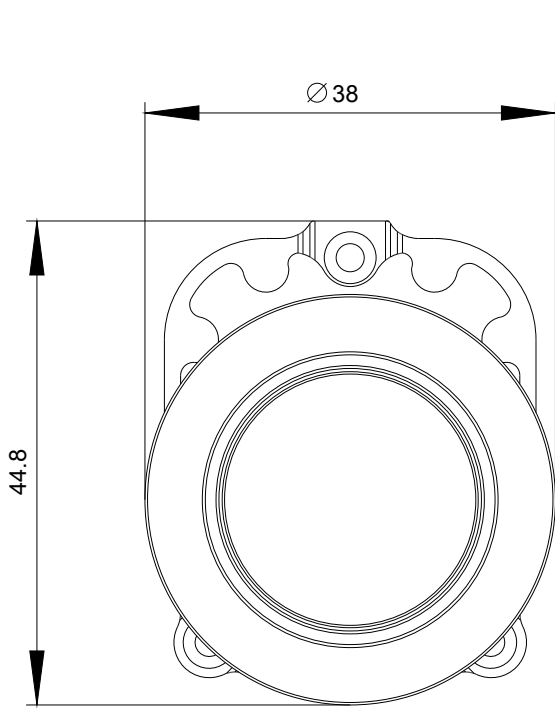
|  |   |   |   |                               |  |
|--|---|---|---|-------------------------------|--|
| General Product Approval   |   |   | Declaration of Conformity   |                               | Test Certificates                        |
| <br>CSA | <br>UL |  | <br>EG-Konf. | <a href="#">Miscellaneous</a> | <a href="#">Special Test Certificate</a> |

|  |  |  |  |   |   |
|--|--|--|--|---|---|
| Test Certificates                                  | Marine / Shipping  |  |  |   |   |
| <a href="#">Type Test Certificates/Test Report</a> | <br>ABS | <br>LRS | <br>PRS | <br>RINA | <br>RMRS |

|   |                              |
|---|------------------------------|
| Marine / Shipping   | other                        |
|  | <a href="#">Confirmation</a> |

**Further information**

- Information- and Downloadcenter (Catalogs, Brochures,...)**  
<https://www.siemens.com/ic10>
- Industry Mall (Online ordering system)**  
<https://mall.industry.siemens.com/mall/en/en/Catalog/product?mlfb=3SU1061-0JD30-0AA0>
- Cax online generator**  
<http://support.automation.siemens.com/WW/CAXorder/default.aspx?lang=en&mlfb=3SU1061-0JD30-0AA0>
- Service&Support (Manuals, Certificates, Characteristics, FAQs,...)**  
<https://support.industry.siemens.com/cs/ww/en/ps/3SU1061-0JD30-0AA0>
- Image database (product images, 2D dimension drawings, 3D models, device circuit diagrams, EPLAN macros, ...)**  
[http://www.automation.siemens.com/bilddb/cax\\_de.aspx?mlfb=3SU1061-0JD30-0AA0&lang=en](http://www.automation.siemens.com/bilddb/cax_de.aspx?mlfb=3SU1061-0JD30-0AA0&lang=en)



last modified:

03/09/2020