

Illuminable selector switch, 22 mm, round, metal shiny, white,
Selector switch short, 2 switch positions O-I, latching, actuating angle
90°, 13:30h/16:30h



| | |
|---|---|
| Product brand name | SIRIUS ACT |
| Product designation | Selector switches |
| Design of the product | Actuating/signaling element |
| Product type designation | 3SU1 |
| Product line | Metal, shiny, 22 mm |
| Enclosure | |
| Number of command points | 1 |
| Actuator | |
| Design of the operating mechanism | Selector, short, handle rotated by 90° to the right |
| Manner of function of the actuating element | latching, 90° (10:30 h/13:30 h) |
| Product extension optional Light source | Yes |
| Color of the actuating element | white |
| Material of the actuating element | plastic |
| Shape of the actuating element | Handle |
| Outer diameter of the actuating element | 32.3 mm |
| Number of switching positions | 2 |
| Actuating angle | |
| • clockwise | 45° |
| • anticlockwise | 45° |

| Front ring | |
|------------------------------|-------------------|
| Product component front ring | Yes |
| Design of the front ring | standard |
| Material of the front ring | Metal, high gloss |
| Color of the front ring | silver |

| General technical data | |
|--|-----------------------------------|
| Protection class IP | IP66, IP67, IP69(IP69K) |
| Degree of protection NEMA rating | 1, 2, 3, 3R, 4, 4X, 12, 13 |
| Shock resistance | |
| <ul style="list-style-type: none"> acc. to IEC 60068-2-27 | Sinusoidal half-wave 50 g / 11 ms |
| Vibration resistance | |
| <ul style="list-style-type: none"> acc. to IEC 60068-2-6 | 10 ... 500 Hz: 5g |
| Operating frequency maximum | 1 800 1/h |
| Mechanical service life (switching cycles) | |
| <ul style="list-style-type: none"> typical | 1 000 000 |
| Reference code acc. to DIN EN 81346-2 | S |
| Reference code acc. to DIN EN 61346-2 | S |

| Safety related data | |
|--|---------|
| B10 value | |
| <ul style="list-style-type: none"> with high demand rate acc. to SN 31920 | 100 000 |
| Proportion of dangerous failures | |
| <ul style="list-style-type: none"> with low demand rate acc. to SN 31920 | 20 % |
| <ul style="list-style-type: none"> with high demand rate acc. to SN 31920 | 20 % |
| Failure rate [FIT] | |
| <ul style="list-style-type: none"> with low demand rate acc. to SN 31920 | 100 FIT |
| T1 value for proof test interval or service life acc. to IEC 61508 | 20 y |





| Ambient conditions | |
|--|---|
| Ambient temperature | |
| <ul style="list-style-type: none"> during operation | -25 ... +70 °C |
| <ul style="list-style-type: none"> during storage | -40 ... +80 °C |
| Environmental category during operation acc. to IEC 60721 | 3M6, 3S2, 3B2, 3C3, 3K6 (with relative air humidity of 10 ... 95 %) |





| Installation/ mounting/ dimensions | |
|---|---------|
| Height | 32.3 mm |
| Width | 32.3 mm |
| Shape of the installation opening | round |
| Mounting diameter | 22.3 mm |
| Positive tolerance of installation diameter | 0.4 mm |
| Mounting height | 28.8 mm |
| Installation width | 32.3 mm |

Installation depth

25.4 mm

Certificates/ approvals

| General Product Approval | Declaration of Conformity | Test Certificates |
|---|---|---|
|  CSA |  UL |  |
|  EG-Konf. | Miscellaneous | Type Test Certificates/Test Report |

| Test Certificates | Marine / Shipping |
|--|---|
| Special Test Certificate |  ABS |
| |  LRS |
| |  PRS |
| |  RINA |
| |  RMRS |

| Marine / Shipping | other |
|--|------------------------------|
|  DNV-GL DNVGL.COM/AF | Confirmation |

Further information

Information- and Downloadcenter (Catalogs, Brochures,...)

<https://www.siemens.com/ic10>

Industry Mall (Online ordering system)

<https://mall.industry.siemens.com/mall/en/en/Catalog/product?mlfb=3SU1052-2FF60-0AA0>

Cax online generator

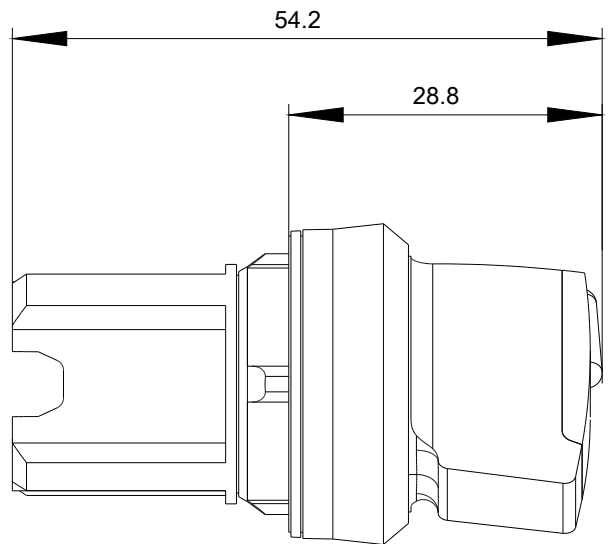
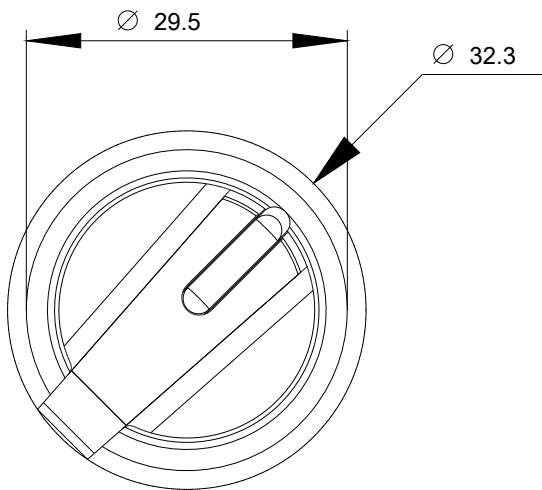
<http://support.automation.siemens.com/WW/CAXorder/default.aspx?lang=en&mlfb=3SU1052-2FF60-0AA0>

Service&Support (Manuals, Certificates, Characteristics, FAQs,...)

<https://support.industry.siemens.com/cs/ww/en/ps/3SU1052-2FF60-0AA0>

Image database (product images, 2D dimension drawings, 3D models, device circuit diagrams, EPLAN macros, ...)

http://www.automation.siemens.com/bilddb/cax_de.aspx?mlfb=3SU1052-2FF60-0AA0&lang=en



last modified:

03/06/2020