

Illuminable selector switch, 22 mm, round, metal shiny, black,
 Selector switch short, 3 switch positions I>O<II, momentary contact
 on the left, latching on the right, actuating angle 2x45°,
 10:30h/12h/13:30h



| | |
|--------------------------|-----------------------------|
| Product brand name | SIRIUS ACT |
| Product designation | Selector switches |
| Design of the product | Actuating/signaling element |
| Product type designation | 3SU1 |
| Product line | Metal, shiny, 22 mm |

| Enclosure | |
|--------------------------|---|
| Number of command points | 1 |

| Actuator | |
|---|--|
| Design of the operating mechanism | Selector, short |
| Manner of function of the actuating element | momentary contact/latching, 2x45° (10:30 h/12 h/13:30 h), return from left, right latching |
| Product extension optional Light source | Yes |
| Color of the actuating element | black |
| Material of the actuating element | plastic |
| Shape of the actuating element | Handle |
| Outer diameter of the actuating element | 32.3 mm |
| Number of switching positions | 3 |
| Actuating angle | 45° |
| <ul style="list-style-type: none"> clockwise | |

- anticlockwise

45°

Front ring

| | |
|------------------------------|-------------------|
| Product component front ring | Yes |
| Design of the front ring | standard |
| Material of the front ring | Metal, high gloss |
| Color of the front ring | silver |

General technical data

| | |
|--|-----------------------------------|
| Protection class IP | IP66, IP67, IP69(IP69K) |
| Degree of protection NEMA rating | 1, 2, 3, 3R, 4, 4X, 12, 13 |
| Shock resistance | |
| <ul style="list-style-type: none"> • acc. to IEC 60068-2-27 | Sinusoidal half-wave 50 g / 11 ms |
| Vibration resistance | |
| <ul style="list-style-type: none"> • acc. to IEC 60068-2-6 | 10 ... 500 Hz: 5g |
| Operating frequency maximum | 1 800 1/h |
| Mechanical service life (switching cycles) | |
| <ul style="list-style-type: none"> • typical | 1 000 000 |
| Reference code acc. to DIN EN 81346-2 | S |
| Reference code acc. to DIN EN 61346-2 | S |

Safety related data

| | |
|--|---------|
| B10 value | |
| <ul style="list-style-type: none"> • with high demand rate acc. to SN 31920 | 300 000 |
| Proportion of dangerous failures | |
| <ul style="list-style-type: none"> • with low demand rate acc. to SN 31920 | 20 % |
| <ul style="list-style-type: none"> • with high demand rate acc. to SN 31920 | 20 % |
| Failure rate [FIT] | |
| <ul style="list-style-type: none"> • with low demand rate acc. to SN 31920 | 100 FIT |
| T1 value for proof test interval or service life acc. to IEC 61508 | 20 y |

Ambient conditions





| | |
|--|---|
| Ambient temperature | |
| <ul style="list-style-type: none"> • during operation | -25 ... +70 °C |
| <ul style="list-style-type: none"> • during storage | -40 ... +80 °C |
| Environmental category during operation acc. to IEC 60721 | 3M6, 3S2, 3B2, 3C3, 3K6 (with relative air humidity of 10 ... 95 %) |

Installation/ mounting/ dimensions

| | |
|---|---------|
| Height | 32.3 mm |
| Width | 32.3 mm |
| Shape of the installation opening | round |
| Mounting diameter | 22.3 mm |
| Positive tolerance of installation diameter | 0.4 mm |
| Mounting height | 28.8 mm |

| | |
|--------------------|---------|
| Installation width | 32.3 mm |
| Installation depth | 25.4 mm |

Certificates/ approvals

| General Product Approval | Declaration of Conformity | Test Certificates |
|--|---|---|
|  CSA |  UL |  |
| |  EG-Konf. | Miscellaneous Type Test Certificates/Test Report |

| Test Certificates | Marine / Shipping |
|-------------------|-------------------|
|-------------------|-------------------|

[Special Test Certificate](#)



| Marine / Shipping | other |
|-------------------|-------|
|-------------------|-------|



[Confirmation](#)

Further information

Information- and Downloadcenter (Catalogs, Brochures,...)

<https://www.siemens.com/ic10>

Industry Mall (Online ordering system)

<https://mall.industry.siemens.com/mall/en/en/Catalog/product?mlfb=3SU1052-2BP10-0AA0>

Cax online generator

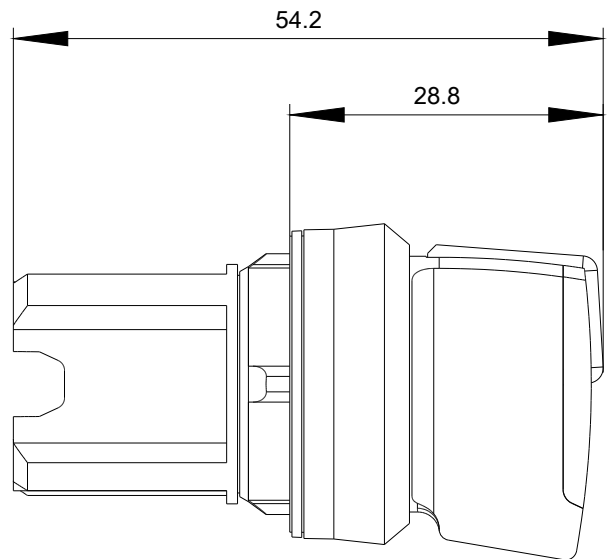
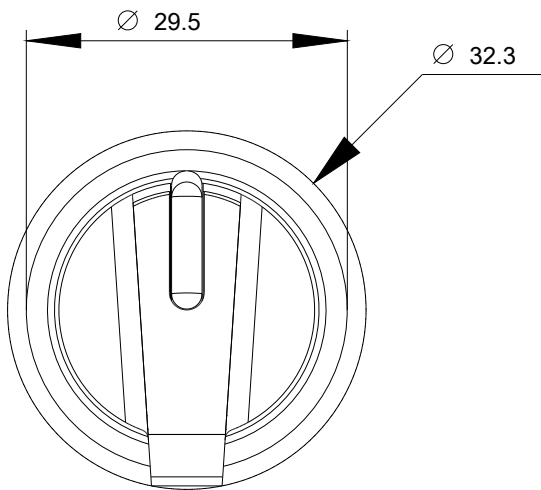
<http://support.automation.siemens.com/WW/CAXorder/default.aspx?lang=en&mlfb=3SU1052-2BP10-0AA0>

Service&Support (Manuals, Certificates, Characteristics, FAQs,...)

<https://support.industry.siemens.com/cs/ww/en/ps/3SU1052-2BP10-0AA0>

Image database (product images, 2D dimension drawings, 3D models, device circuit diagrams, EPLAN macros, ...)

http://www.automation.siemens.com/bilddb/cax_de.aspx?mlfb=3SU1052-2BP10-0AA0&lang=en



last modified:

03/06/2020