

Key-operated switch BKS, 22 mm, round, metal, shiny, lock number S1, with 2 keys, 3 switch positions I>O<II, momentary contact on the left, latching on the right, actuating angle 2x45°, 10:30h/12h/13:30h, Key removal O



| | |
|-------------------------------|------------------------------------|
| Product brand name | SIRIUS ACT |
| Product designation | Key-operated switches |
| Design of the product | Actuating/signaling element |
| Product type designation | 3SU1 |
| Product line | Metal, shiny, 22 mm |
| Manufacturer's article number | |
| • of included key | 3SU1950-0FD80-0AA0 |

| Actuator | |
|---|--|
| Manner of function of the actuating element | momentary contact/latching, 2x45° (10:30 h/12 h/13:30 h), return from left, right latching |
| Product extension optional Light source | No |
| Color | |
| • of the actuating element | silver |
| Material of the actuating element | metal |
| Shape of the actuating element | Key |
| Outer diameter of the actuating element | 29.5 mm |
| Number of switching positions | 3 |
| Switch position for key distraction | O |
| Actuating angle | |

| | |
|-------------------|-----|
| • clockwise | 45° |
| • anticlockwise | 45° |
| Lock make | BCS |
| Key number | S1 |

| Front ring | |
|-------------------------------------|-------------------|
| Product component front ring | Yes |
| Design of the front ring | Standard |
| Material of the front ring | Metal, high gloss |
| Color of the front ring | silver |

| General technical data | |
|---|-----------------------------------|
| Protection class IP | IP66, IP67, IP69(IP69K) |
| • of the terminal | IP20 |
| Degree of protection NEMA rating | 1, 2, 3, 3R, 4, 4X, 12, 13 |
| Shock resistance | |
| • acc. to IEC 60068-2-27 | Sinusoidal half-wave 50 g / 11 ms |
| Vibration resistance | |
| • acc. to IEC 60068-2-6 | 10 ... 500 Hz: 5g |
| Operating frequency maximum | 1 800 1/h |
| Mechanical service life (switching cycles) | |
| • typical | 300 000 |
| Reference code acc. to DIN EN 81346-2 | S |
| Reference code acc. to DIN EN 61346-2 | S |

| Ambient conditions | |
|---|---|
| Ambient temperature | |
| • during operation | -25 ... +70 °C |
| • during storage | -40 ... +80 °C |
| Environmental category during operation acc. to IEC 60721 | 3M6, 3S2, 3B2, 3C3, 3K6 (with relative air humidity of 10 ... 95 %) |

| Installation/ mounting/ dimensions | |
|--|---------|
| Height | 29.5 mm |
| Width | 29.5 mm |
| Shape of the installation opening | round |
| Mounting diameter | 22.3 mm |
| Positive tolerance of installation diameter | 0.4 mm |
| Mounting height | 56.3 mm |
| Installation width | 29.5 mm |
| Installation depth | 25.4 mm |

Certificates/ approvals

| | | | | | |
|--|---|---|---|-------------------------------|--|
| General Product Approval | | | Declaration of Conformity | | Test Certificates |
|  CSA |  UL |  |  EG-Konf. | Miscellaneous | Type Test Certificates/Test Report |

| | |
|-------------------|-------------------|
| Test Certificates | Marine / Shipping |
|-------------------|-------------------|

[Special Test Certificate](#)



ABS



LRS



PRS



RINA



RMRS

| | |
|-------------------|-------|
| Marine / Shipping | other |
|-------------------|-------|



[Confirmation](#)

Further information

Information- and Downloadcenter (Catalogs, Brochures,...)

<https://www.siemens.com/ic10>

Industry Mall (Online ordering system)

<https://mall.industry.siemens.com/mall/en/en/Catalog/product?mlfb=3SU1050-5PP01-0AA0>

Cax online generator

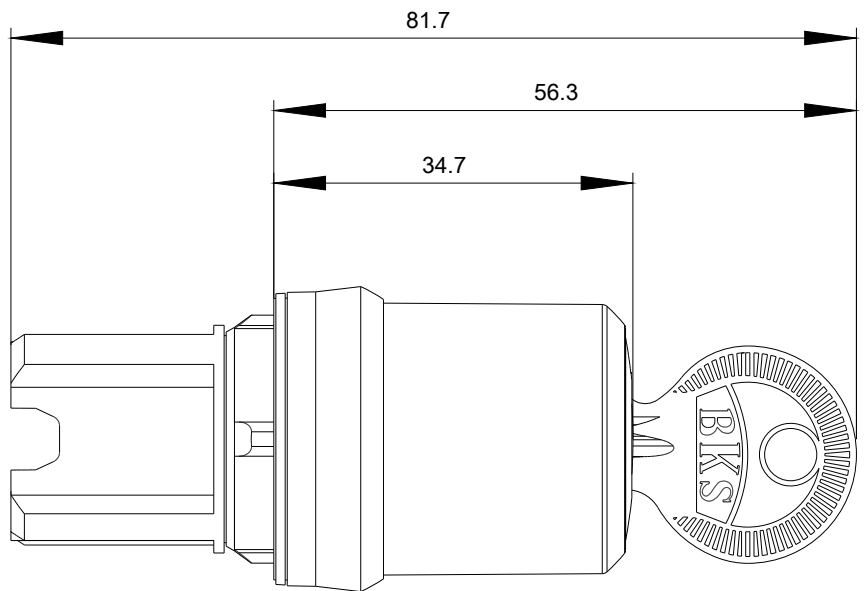
<http://support.automation.siemens.com/WW/CAXorder/default.aspx?lang=en&mlfb=3SU1050-5PP01-0AA0>

Service&Support (Manuals, Certificates, Characteristics, FAQs,...)

<https://support.industry.siemens.com/cs/ww/en/ps/3SU1050-5PP01-0AA0>

Image database (product images, 2D dimension drawings, 3D models, device circuit diagrams, EPLAN macros, ...)

http://www.automation.siemens.com/bilddb/cax_de.aspx?mlfb=3SU1050-5PP01-0AA0&lang=en



last modified:

03/06/2020