

Key-operated switch BKS, 22 mm, round, metal, shiny, lock number S1, with 2 keys, 2 switch positions O<I, momentary contact type, Actuating angle 45°, 10:30h/12h, Key removal O



|                               |                                    |
|-------------------------------|------------------------------------|
| Product brand name            | SIRIUS ACT                         |
| Product designation           | Key-operated switches              |
| Design of the product         | Actuating/signaling element        |
| Product type designation      | 3SU1                               |
| Product line                  | Metal, shiny, 22 mm                |
| Manufacturer's article number |                                    |
| • of included key             | <a href="#">3SU1950-0FD80-0AA0</a> |

| Actuator                                    |   |
|---|---|
| Manner of function of the actuating element | momentary contact, 45° (10:30 h/12 h), return from center to left |
| Product extension optional Light source     | No  |
| Color                                       |   |
| • of the actuating element                  | silver  |
| Material of the actuating element           | metal   |
| Shape of the actuating element              | Key   |
| Outer diameter of the actuating element     | 29.5 mm   |
| Number of switching positions               | 2   |
| Switch position for key distraction         | O   |
| Actuating angle                             |   |
| • clockwise                                 | 45°   |

|            |     |
|------------|-----|
| Lock make  | BCS |
| Key number | S1  |

| Front ring                   |                   |
|------------------------------|-------------------|
| Product component front ring | Yes               |
| Design of the front ring     | Standard          |
| Material of the front ring   | Metal, high gloss |
| Color of the front ring      | silver            |

| General technical data                     |                                   |
|--|-----------------------------------|
| Protection class IP                        | IP66, IP67, IP69(IP69K)           |
| • of the terminal                          | IP20                              |
| Degree of protection NEMA rating           | 1, 2, 3, 3R, 4, 4X, 12, 13        |
| Shock resistance                           |                                   |
| • acc. to IEC 60068-2-27                   | Sinusoidal half-wave 50 g / 11 ms |
| Vibration resistance                       |                                   |
| • acc. to IEC 60068-2-6                    | 10 ... 500 Hz: 5g                 |
| Operating frequency maximum                | 1 800 1/h                         |
| Mechanical service life (switching cycles) |                                   |
| • typical                                  | 300 000                           |
| Reference code acc. to DIN EN 81346-2      | S                                 |
| Reference code acc. to DIN EN 61346-2      | S                                 |

| Ambient conditions  |   |
|---|---|
| Ambient temperature                                       |   |
| • during operation  | -25 ... +70 °C  |
| • during storage  | -40 ... +80 °C  |
| Environmental category during operation acc. to IEC 60721 | 3M6, 3S2, 3B2, 3C3, 3K6 (with relative air humidity of 10 ... 95 %) |

| Installation/ mounting/ dimensions          |         |
|---|---------|
| Height                                      | 29.5 mm |
| Width                                       | 29.5 mm |
| Shape of the installation opening           | round   |
| Mounting diameter                           | 22.3 mm |
| Positive tolerance of installation diameter | 0.4 mm  |
| Mounting height                             | 56.3 mm |
| Installation width                          | 29.5 mm |
| Installation depth                          | 25.4 mm |

#### Certificates/ approvals

|                          |                           |                   |
|--------------------------|---------------------------|-------------------|
| General Product Approval | Declaration of Conformity | Test Certificates |
|--------------------------|---------------------------|-------------------|



[Miscellaneous](#)

[Type Test Certificates/Test Report](#)

|                   |                   |
|-------------------|-------------------|
| Test Certificates | Marine / Shipping |
|-------------------|-------------------|

[Special Test Certificate](#)



LRS



PRS



RINA



RMRS

|                   |       |
|-------------------|-------|
| Marine / Shipping | other |
|-------------------|-------|



[Confirmation](#)

## Further information

**Information- and Downloadcenter (Catalogs, Brochures,...)**

<https://www.siemens.com/ic10>

**Industry Mall (Online ordering system)**

<https://mall.industry.siemens.com/mall/en/en/Catalog/product?mlfb=3SU1050-5PC01-0AA0>

**Cax online generator**

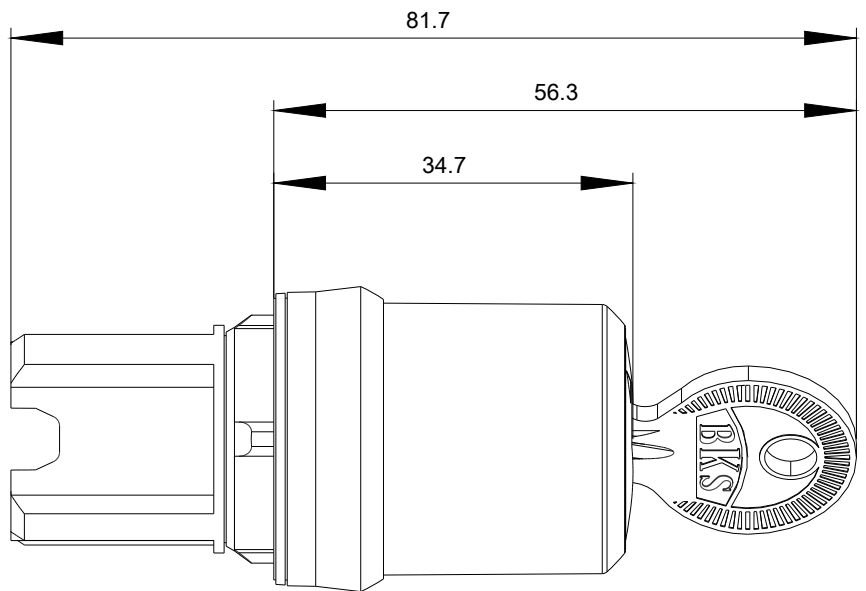
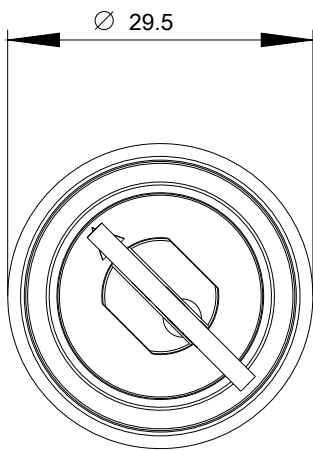
<http://support.automation.siemens.com/WW/CAXorder/default.aspx?lang=en&mlfb=3SU1050-5PC01-0AA0>

**Service&Support (Manuals, Certificates, Characteristics, FAQs,...)**

<https://support.industry.siemens.com/cs/ww/en/ps/3SU1050-5PC01-0AA0>

**Image database (product images, 2D dimension drawings, 3D models, device circuit diagrams, EPLAN macros, ...)**

[http://www.automation.siemens.com/bilddb/cax\\_de.aspx?mlfb=3SU1050-5PC01-0AA0&lang=en](http://www.automation.siemens.com/bilddb/cax_de.aspx?mlfb=3SU1050-5PC01-0AA0&lang=en)



last modified:

03/06/2020