

Pushbutton, 22 mm, round, plastic, yellow, pushbutton, raised, momentary contact type



|                                             |                             |
|---------------------------------------------|-----------------------------|
| Product brand name                          | SIRIUS ACT                  |
| Product designation                         | Pushbuttons                 |
| Design of the product                       | Actuating/signaling element |
| Product type designation                    | 3SU1                        |
| Product line                                | Plastic, black, 22 mm       |
| <b>Enclosure</b>                            |                             |
| Number of command points                    | 1                           |
| <b>Actuator</b>                             |                             |
| Design of the operating mechanism           | Raised button               |
| Manner of function of the actuating element | momentary contact type      |
| Product extension optional Light source     | No                          |
| Color                                       |                             |
| • of the actuating element                  | yellow                      |
| Material of the actuating element           | plastic                     |
| Shape of the actuating element              | round                       |
| Outer diameter of the actuating element     | 29.5 mm                     |
| <b>Front ring</b>                           |                             |
| Product component front ring                | Yes                         |

|                                   |          |
|-----------------------------------|----------|
| <b>Design of the front ring</b>   | Standard |
| <b>Material of the front ring</b> | plastic  |
| <b>Color of the front ring</b>    | black    |

#### General technical data

|                                                                                                                                     |                                                          |
|-------------------------------------------------------------------------------------------------------------------------------------|----------------------------------------------------------|
| <b>Protection class IP</b>                                                                                                          | IP66, IP67, IP69(IP69K)                                  |
| <b>Degree of protection NEMA rating</b>                                                                                             | 1, 2, 3, 3R, 4, 4X, 12, 13                               |
| <b>Shock resistance</b>                                                                                                             |                                                          |
| <ul style="list-style-type: none"> <li>• acc. to IEC 60068-2-27</li> <li>• for railway applications acc. to DIN EN 61373</li> </ul> | Sinusoidal half-wave 50 g / 11 ms<br>Category 1, Class B |
| <b>Vibration resistance</b>                                                                                                         |                                                          |
| <ul style="list-style-type: none"> <li>• acc. to IEC 60068-2-6</li> <li>• for railway applications acc. to DIN EN 61373</li> </ul>  | 10 ... 500 Hz: 5g<br>Category 1, Class B                 |
| <b>Operating frequency maximum</b>                                                                                                  | 3 600 1/h                                                |
| <b>Mechanical service life (switching cycles)</b>                                                                                   |                                                          |
| <ul style="list-style-type: none"> <li>• typical</li> </ul>                                                                         | 10 000 000                                               |
| <b>Reference code acc. to DIN EN 81346-2</b>                                                                                        | S                                                        |
| <b>Reference code acc. to DIN EN 61346-2</b>                                                                                        | S                                                        |





#### Ambient conditions

|                                                                                                |                                                                     |
|------------------------------------------------------------------------------------------------|---------------------------------------------------------------------|
| <b>Ambient temperature</b>                                                                     |                                                                     |
| <ul style="list-style-type: none"> <li>• during operation</li> <li>• during storage</li> </ul> | -25 ... +70 °C<br>-40 ... +80 °C                                    |
| Environmental category during operation acc. to IEC 60721                                      | 3M6, 3S2, 3B2, 3C3, 3K6 (with relative air humidity of 10 ... 95 %) |

#### Installation/ mounting/ dimensions

|                                                    |         |
|----------------------------------------------------|---------|
| <b>Height</b>                                      | 29.5 mm |
| <b>Width</b>                                       | 29.5 mm |
| <b>Shape of the installation opening</b>           | round   |
| <b>Mounting diameter</b>                           | 22.3 mm |
| <b>Positive tolerance of installation diameter</b> | 0.4 mm  |
| <b>Mounting height</b>                             | 16.2 mm |
| <b>Installation width</b>                          | 29.5 mm |
| <b>Installation depth</b>                          | 24.3 mm |

#### Certificates/ approvals

|                                                                                          |                                                                                         |                                                                                   |                                                                                               |                               |                                          |
|------------------------------------------------------------------------------------------|-----------------------------------------------------------------------------------------|-----------------------------------------------------------------------------------|-----------------------------------------------------------------------------------------------|-------------------------------|------------------------------------------|
| General Product Approval                                                                 |                                                                                         |                                                                                   | Declaration of Conformity                                                                     |                               | Test Certificates                        |
| <br>CSA | <br>UL |  | <br>EG-Konf. | <a href="#">Miscellaneous</a> | <a href="#">Special Test Certificate</a> |

|                   |                   |
|-------------------|-------------------|
| Test Certificates | Marine / Shipping |
|-------------------|-------------------|

[Type Test Certificates/Test Report](#)



ABS



LRS



PRS



RINA



RMRS

|                   |       |
|-------------------|-------|
| Marine / Shipping | other |
|-------------------|-------|

[Confirmation](#)



## Further information

### Information- and Downloadcenter (Catalogs, Brochures,...)

<https://www.siemens.com/ic10>

### Industry Mall (Online ordering system)

<https://mall.industry.siemens.com/mall/en/en/Catalog/product?mlfb=3SU1000-0BB30-0AA0>

### Cax online generator

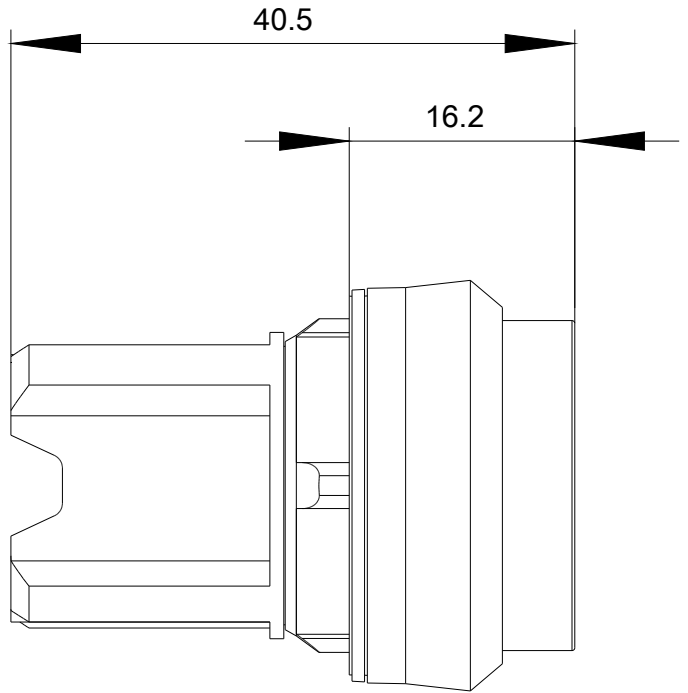
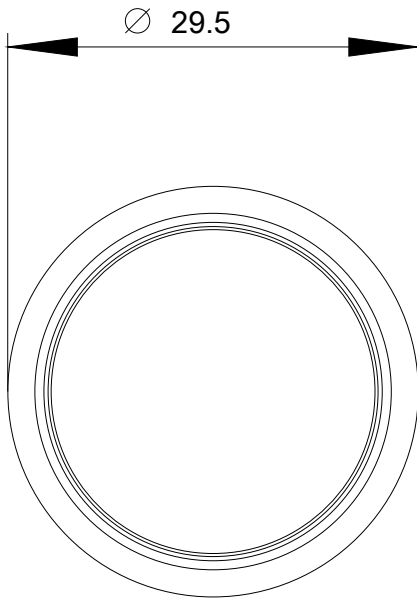
<http://support.automation.siemens.com/WW/CAXorder/default.aspx?lang=en&mlfb=3SU1000-0BB30-0AA0>

### Service&Support (Manuals, Certificates, Characteristics, FAQs,...)

<https://support.industry.siemens.com/cs/ww/en/ps/3SU1000-0BB30-0AA0>

### Image database (product images, 2D dimension drawings, 3D models, device circuit diagrams, EPLAN macros, ...)

[http://www.automation.siemens.com/bilddb/cax\\_de.aspx?mlfb=3SU1000-0BB30-0AA0&lang=en](http://www.automation.siemens.com/bilddb/cax_de.aspx?mlfb=3SU1000-0BB30-0AA0&lang=en)



last modified:

02/18/2020