

Safety cable-operated switch Metal enclosure, Rope length 50m 2 x M25 x 1.5 1 NO/1 NC, without latching only Bowden wire function, white LED, 115 V AC



Figure similar

Product brand name	SIRIUS
Product designation	cable-operated switch
Product type designation	3SE7

General technical data	
Product function	
• EMERGENCY STOP function	No
Product component Light source	Yes
Insulation voltage	
• rated value	400 V
Degree of pollution	class 3
Surge voltage resistance rated value	6 kV
Protection class IP	IP65
Mechanical service life (switching cycles)	
• typical	1 000 000
Thermal current	6 A
Reference code acc. to DIN EN 81346-2	S
Reference code acc. to DIN EN 61346-2	S

Continuous current of the DIAZED fuse link gG	6 A
Number of NC contacts for auxiliary contacts	1
Number of NO contacts for auxiliary contacts	1
Operating current at AC-15	
• at 240 V rated value	6 A
• at 400 V rated value	6 A
Operating current at DC-13	
• at 24 V rated value	3 A
• at 250 V rated value	0.27 A

Enclosure

Material of the enclosure	metal
Material of the enclosure cover	Plastic
Product component	
• EMERGENCY STOP device	No
Color	
• of the enclosure	black
• of top part of the enclosure	grey
Coating of the enclosure	painted
Circuit principle	Jump function
Material of the contact	Silver
Number of switching contacts safety-related	1

Connections/ Terminals

Type of electrical connection	screw-type terminals
Type of connectable conductor cross-sections	
• solid	2x (0.5 ... 2.5 mm ²)
• finely stranded with core end processing	2x (0.5 ... 2.5 mm ²)
• at AWG conductors solid	2x (20 ... 14)
• at AWG conductors stranded	2x (20 ... 14)

Safety related data

B10 value	
• with high demand rate acc. to SN 31920	100 000
Proportion of dangerous failures	
• with high demand rate acc. to SN 31920	50 %
Cable entry type	2x M25 x 1,5

Ambient conditions

Ambient temperature	
• during operation	-25 ... +70 °C

Supply voltage

Type of voltage of the supply voltage	
• of the light source	AC

Supply voltage of the light source at AC	
• at 50 Hz rated value	115 V
Relative negative tolerance of the supply voltage	-15 %
Relative positive tolerance of the supply voltage	10 %




Display	
Product function status display	No

Lamp	
Color of the light source	white

Installation/ mounting/ dimensions	
Mounting type	screw fixing
Height	105 mm
Width	167 mm
Depth	89 mm

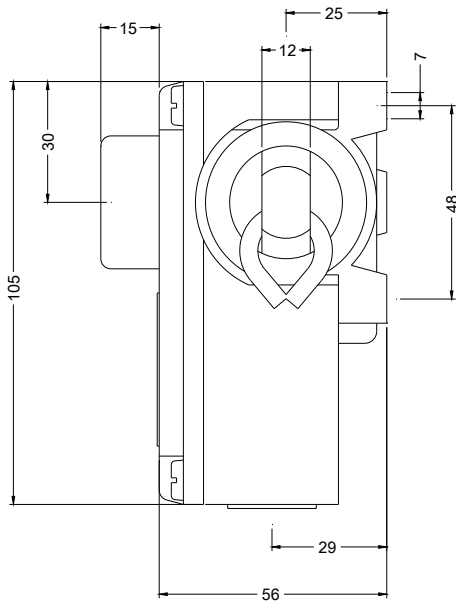
Certificates/ approvals

General Product Approval	Declaration of Conformity	Marine / Shipping
 CCC  CSA  UL	 EAC  CE EG-Konf.	 ABS

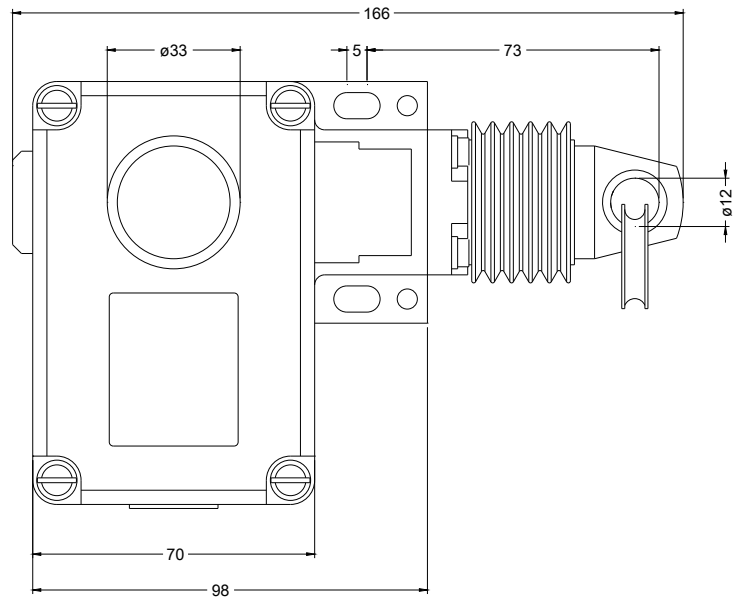
Marine / Shipping	other
 LRS  PRS  DNV-GL <small>DNVGL.COM/AF</small>	Confirmation

Further information

- Information- and Downloadcenter (Catalogs, Brochures,...)**
<https://www.siemens.com/ic10>
- Industry Mall (Online ordering system)**
<https://mall.industry.siemens.com/mall/en/en/Catalog/product?mlfb=3SE7140-2DD00-0AS2>
- Cax online generator**
<http://support.automation.siemens.com/WW/CAXorder/default.aspx?lang=en&mlfb=3SE7140-2DD00-0AS2>
- Service&Support (Manuals, Certificates, Characteristics, FAQs,...)**
<https://support.industry.siemens.com/cs/ww/en/ps/3SE7140-2DD00-0AS2>
- Image database (product images, 2D dimension drawings, 3D models, device circuit diagrams, EPLAN macros, ...)**
http://www.automation.siemens.com/bilddb/cax_de.aspx?mlfb=3SE7140-2DD00-0AS2&lang=en



last modified:



03/09/2020