

Cable-operated switch Metal enclosure, 1x M20x1.5; 1 NO+1 NC, latching EN ISO 13850 and pushbutton release, for wire lengths up to 50 m



| | |
|--------------------------|-----------------------|
| Product brand name | SIRIUS |
| Product designation | cable-operated switch |
| Product type designation | 3SE7 |

General technical data

| | |
|--|---------|
| Product function | |
| • EMERGENCY STOP function | Yes |
| Product component Light source | No |
| Insulation voltage | |
| • rated value | 400 V |
| Degree of pollution | class 3 |
| Surge voltage resistance rated value | 6 kV |
| Protection class IP | IP65 |
| Mechanical service life (switching cycles) | |
| • typical | 100 000 |
| Thermal current | 6 A |
| Reference code acc. to DIN EN 81346-2 | S |
| Reference code acc. to DIN EN 61346-2 | S |
| Continuous current of the DIAZED fuse link gG | 6 A |
| Number of NC contacts for auxiliary contacts | 1 |

| | |
|---|--------|
| Number of NO contacts for auxiliary contacts | 1 |
| Operating current at AC-15 | |
| • at 240 V rated value | 6 A |
| • at 400 V rated value | 6 A |
| Operating current at DC-13 | |
| • at 24 V rated value | 3 A |
| • at 250 V rated value | 0.27 A |

Enclosure

| | |
|---|---------------|
| Material of the enclosure | metal |
| Material of the enclosure cover | Plastic |
| Product component | |
| • EMERGENCY STOP device | No |
| Color | |
| • of the enclosure | black |
| • of top part of the enclosure | grey |
| Coating of the enclosure | painted |
| Circuit principle | Jump function |
| Material of the contact | Silver |
| Number of switching contacts safety-related | 1 |

Connections/ Terminals

| | |
|---|-----------------------------------|
| Type of electrical connection | screw-type terminals |
| Type of connectable conductor cross-sections | |
| • solid | 2x (0.5 ... 2.5 mm ²) |
| • finely stranded with core end processing | 2x (0.5 ... 2.5 mm ²) |
| • at AWG conductors solid | 2x (20 ... 14) |
| • at AWG conductors stranded | 2x (20 ... 14) |

Safety related data

| | |
|--|--------------|
| B10 value | |
| • with high demand rate acc. to SN 31920 | 100 000 |
| Proportion of dangerous failures | |
| • with high demand rate acc. to SN 31920 | 50 % |
| Cable entry type | 1x M20 x 1,5 |

Ambient conditions

| | |
|----------------------------|----------------|
| Ambient temperature | |
| • during operation | -25 ... +70 °C |

Display

| | |
|--|----|
| Product function status display | No |
|--|----|




Installation/ mounting/ dimensions

| | |
|----------------------|--------------|
| Mounting type | screw fixing |
| Height | 105 mm |

| | |
|-------|--------|
| Width | 167 mm |
| Depth | 71 mm |

Certificates/ approvals

| General Product Approval | | | Declaration of Conformity | Marine / Shipping | |
|--|--|---|--|---|--|
|  CCC |  CSA |  UL |  EAC |  EG-Konf. |  ABS |

| Marine / Shipping | other |
|--|------------------------------|
|  LRS  PRS  DNV-GL <small>TYPE APPROVED PRODUCT</small> <small>DNVGL.COM/AF</small> | Confirmation |

Further information

Information- and Downloadcenter (Catalogs, Brochures,...)

<https://www.siemens.com/ic10>

Industry Mall (Online ordering system)

<https://mall.industry.siemens.com/mall/en/en/Catalog/product?mlfb=3SE7140-1BD00>

Cax online generator

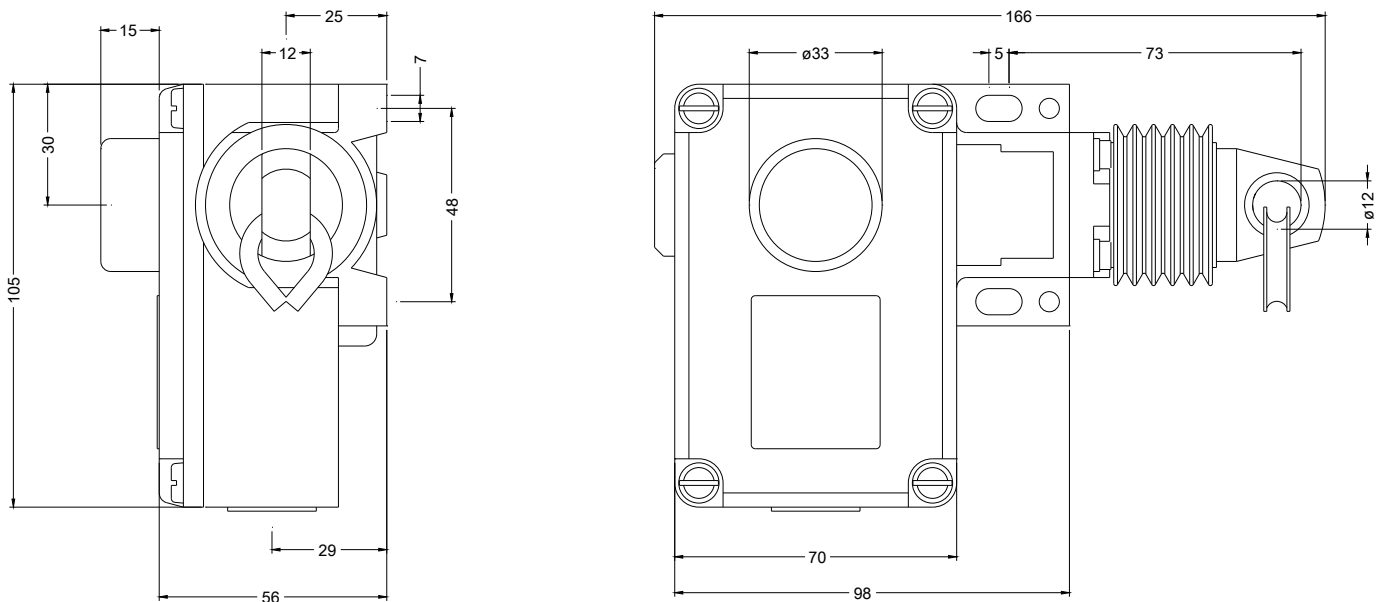
<http://support.automation.siemens.com/WW/CAXorder/default.aspx?lang=en&mlfb=3SE7140-1BD00>

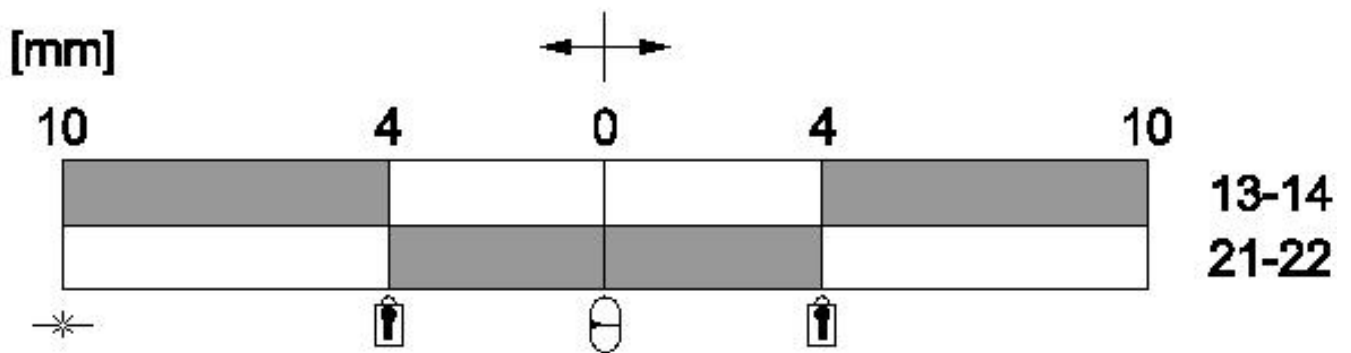
Service&Support (Manuals, Certificates, Characteristics, FAQs,...)

<https://support.industry.siemens.com/cs/ww/en/ps/3SE7140-1BD00>

Image database (product images, 2D dimension drawings, 3D models, device circuit diagrams, EPLAN macros, ...)

http://www.automation.siemens.com/bilddb/cax_de.aspx?mlfb=3SE7140-1BD00&lang=en





† Verriegelung / Locking

→ Betätigungsrichtung / Travel

⊔ Mittelstellung / Middle position

* Seilriss / Rope rip

■ Schaltglied geschlossen / Contact element closed

□ Schaltglied geöffnet / Contact element open

last modified:

02/22/2020