

Cable-operated switch Metal enclosure, 2x M20 x1.5; 1 NO+1 NC, without latching for wire lengths up to 5 m, only Bowden wire function, 55 N spring maximum actuating force 80 N



Product brand name	SIRIUS
Product designation	cable-operated switch
Product type designation	3SE7

### General technical data

<b>Product function</b>	
• EMERGENCY STOP function	No
Product component Light source	No
<b>Insulation voltage</b>	
• rated value	400 V
<b>Degree of pollution</b>	class 3
<b>Surge voltage resistance rated value</b>	6 kV
<b>Protection class IP</b>	IP65
<b>Mechanical service life (switching cycles)</b>	
• typical	1 000 000
<b>Thermal current</b>	6 A
<b>Reference code acc. to DIN EN 81346-2</b>	S
<b>Reference code acc. to DIN EN 61346-2</b>	S
<b>Continuous current of the DIAZED fuse link gG</b>	6 A
<b>Number of NC contacts for auxiliary contacts</b>	1

<b>Number of NO contacts for auxiliary contacts</b>	1
<b>Operating current at AC-15</b>	
• at 240 V rated value	6 A
• at 400 V rated value	6 A
<b>Operating current at DC-13</b>	
• at 24 V rated value	3 A
• at 250 V rated value	0.27 A

#### Enclosure

<b>Material of the enclosure</b>	metal
<b>Material of the enclosure cover</b>	Plastic
<b>Product component</b>	
• EMERGENCY STOP device	No
<b>Color</b>	
• of the enclosure	black
• of top part of the enclosure	grey
<b>Coating of the enclosure</b>	painted
<b>Circuit principle</b>	Jump function
<b>Material of the contact</b>	Silver
Number of switching contacts safety-related	1

#### Connections/ Terminals

<b>Type of electrical connection</b>	screw-type terminals
<b>Type of connectable conductor cross-sections</b>	
• solid	2x (0.5 ... 2.5 mm <sup>2</sup> )
• finely stranded with core end processing	2x (0.5 ... 2.5 mm <sup>2</sup> )
• at AWG conductors solid	2x (20 ... 14)
• at AWG conductors stranded	2x (20 ... 14)

#### Safety related data

<b>B10 value</b>	
• with high demand rate acc. to SN 31920	100 000
<b>Proportion of dangerous failures</b>	
• with high demand rate acc. to SN 31920	50 %
<b>Cable entry type</b>	1x M20 x 1,5

#### Ambient conditions

<b>Ambient temperature</b>	
• during operation	-25 ... +70 °C

#### Display

<b>Product function status display</b>	No
--	----

#### Installation/ mounting/ dimensions

<b>Mounting type</b>	screw fixing
<b>Height</b>	172 mm

Width	53 mm
Depth	43 mm

### Certificates/ approvals

General Product Approval	Declaration of Conformity	Marine / Shipping
--------------------------	---------------------------	-------------------



CCC



EG-Konf.

[Miscellaneous](#)



ABS



LRS

Marine / Shipping	other
-------------------	-------



PRS



DNVGL.COM/AF

[Confirmation](#)

### Further information

**Information- and Downloadcenter (Catalogs, Brochures,...)**

<https://www.siemens.com/ic10>

**Industry Mall (Online ordering system)**

<https://mall.industry.siemens.com/mall/en/en/Catalog/product?mfb=3SE7120-2DD01>

**Cax online generator**

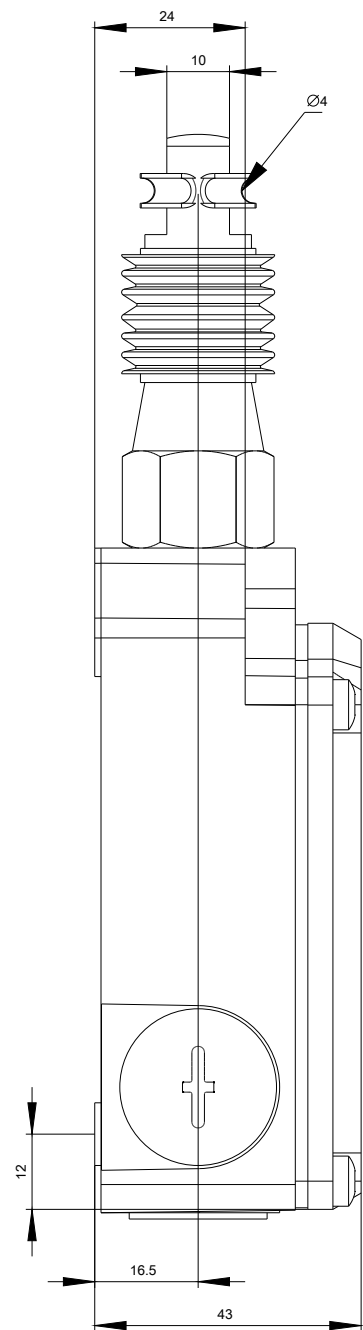
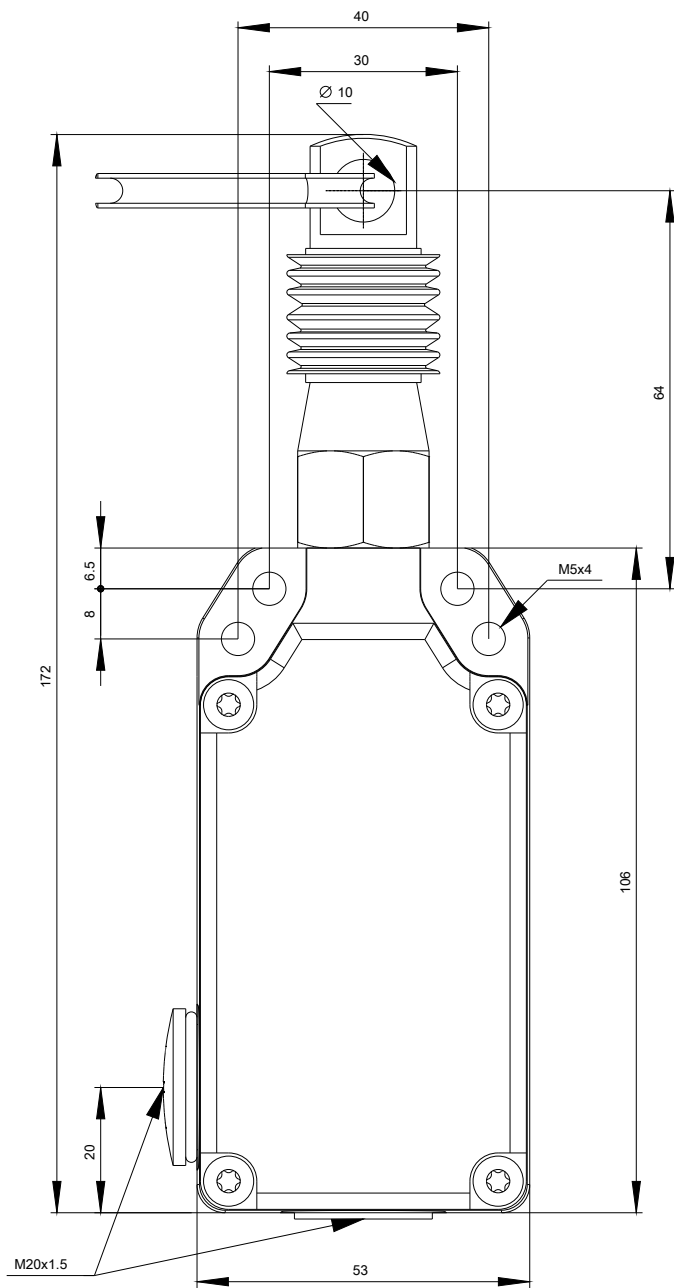
<http://support.automation.siemens.com/WW/CAXorder/default.aspx?lang=en&mfb=3SE7120-2DD01>

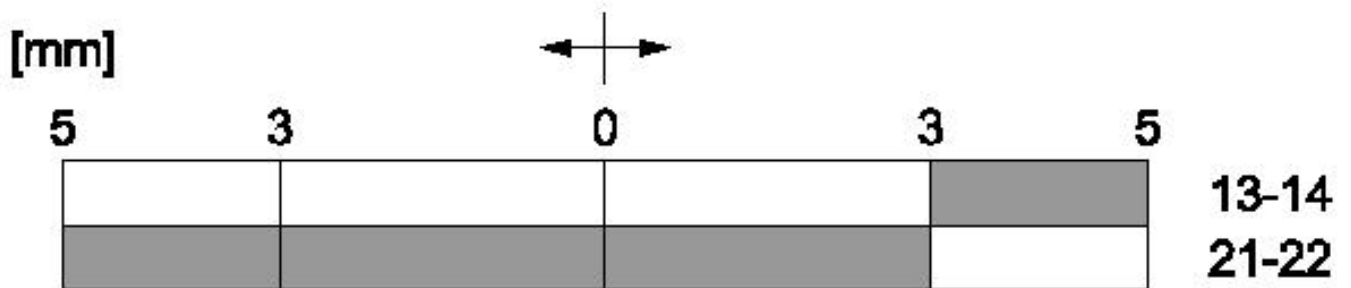
**Service&Support (Manuals, Certificates, Characteristics, FAQs,...)**

<https://support.industry.siemens.com/cs/ww/en/ps/3SE7120-2DD01>

**Image database (product images, 2D dimension drawings, 3D models, device circuit diagrams, EPLAN macros, ...)**

[http://www.automation.siemens.com/bilddb/cax\\_de.aspx?mfb=3SE7120-2DD01&lang=en](http://www.automation.siemens.com/bilddb/cax_de.aspx?mfb=3SE7120-2DD01&lang=en)





- **Betätigungsrichtung / Travel**
- Schaltglied geschlossen / Contact element closed**
- Schaltglied geöffnet / Contact element open**

last modified:

03/09/2020