

Fuseless motor starter Direct start 600VAC Size S00 9-12.5 Amp 110/120VAC 50/60HZ screw connection For screw mounting Or 35 mm rail-mounting Type of coordination 1 1NO+1NC (MSP) 1NO (contactor)



| | |
|--|---|
| Product brand name | SIRIUS |
| Product designation | non-fused motor starter 3RA2 |
| Design of the product | direct starter |
| Manufacturer's article number | |
| <ul style="list-style-type: none"> • of the supplied contactor • of the supplied circuit-breakers • of the supplied link module | 3RT2017-1AK61 3RV2011-1KA15 3RA1921-1DA00 |

| General technical data | |
|--|--------------|
| Size of the circuit-breaker | S00 |
| Size of load feeder | S00 |
| Product extension | |
| <ul style="list-style-type: none"> • Auxiliary switch | Yes |
| Insulation voltage | |
| <ul style="list-style-type: none"> • with degree of pollution 3 at AC rated value | 690 V |
| Degree of pollution | 3 |
| Surge voltage resistance rated value | 6 kV |
| Protection class IP | |
| <ul style="list-style-type: none"> • on the front • of the terminal | IP20 IP00 |

| | |
|--|------------|
| Shock resistance | |
| <ul style="list-style-type: none"> • acc. to IEC 60068-2-27 | 6g / 11 ms |
| Mechanical service life (switching cycles) | |
| <ul style="list-style-type: none"> • of contactor typical | 30 000 000 |
| Type of assignment | 1 |

Main circuit

| | |
|---|--------------------|
| Number of poles for main current circuit | 3 |
| Design of the switching contact | electromechanical |
| Adjustable pick-up value current of the current-dependent overload release | 9 ... 12.5 A |
| Operating voltage | |
| <ul style="list-style-type: none"> • rated value | 690 V |
| <ul style="list-style-type: none"> • at AC-3 rated value maximum | 690 V |
| Operating frequency rated value | 50 ... 60 Hz |
| Operating current | |
| <ul style="list-style-type: none"> • at AC-3 — at 400 V rated value | 11.5 A |
| Operating power | |
| <ul style="list-style-type: none"> • at AC-3 — at 400 V rated value — at 500 V rated value | 5 500 W 7 500 W |

Control circuit/ Control

| | |
|--|--|
| Control supply voltage at AC | |
| <ul style="list-style-type: none"> • at 50 Hz rated value • at 50 Hz rated value • at 60 Hz rated value • at 60 Hz rated value | 110 V 93.5 ... 121 V 120 V 96 ... 132 V |
| Apparent holding power of magnet coil at AC | 6.5 V·A |
| Inductive power factor with the holding power of the coil | 0.25 |

Auxiliary circuit

| | |
|---|---|
| Number of NC contacts for auxiliary contacts | 1 |
| Number of NO contacts for auxiliary contacts | 2 |

Protective and monitoring functions

| | |
|--|----------------------|
| Trip class | CLASS 10 |
| Design of the overload release | thermal (bimetallic) |
| Response value current | |
| <ul style="list-style-type: none"> • of instantaneous short-circuit trip unit | 162.5 A |

UL/CSA ratings

| | |
|--|------|
| Full-load current (FLA) for three-phase AC motor | |
| <ul style="list-style-type: none"> • at 480 V rated value | 11 A |

| | |
|---|---|
| <ul style="list-style-type: none"> • at 600 V rated value | 11 A |
| Yielded mechanical performance [hp] | |
| <ul style="list-style-type: none"> • for single-phase AC motor <ul style="list-style-type: none"> — at 110/120 V rated value — at 230 V rated value • for three-phase AC motor <ul style="list-style-type: none"> — at 200/208 V rated value — at 220/230 V rated value — at 460/480 V rated value — at 575/600 V rated value | 0.5 hp 2 hp 3 hp 3 hp 7.5 hp 10 hp |

| | |
|--|-----------|
| Short-circuit protection | |
| Product function Short circuit protection | Yes |
| Design of the short-circuit trip | magnetic |
| Conditional short-circuit current (I_q) | |
| <ul style="list-style-type: none"> • at 400 V acc. to IEC 60947-4-1 rated value | 153 000 A |

| | |
|--|--|
| Installation/ mounting/ dimensions | |
| Mounting position | vertical |
| Mounting type | Snap-mounted to DIN rail or screw-mounted with additional push-in lug |
| Height | 167.2 mm |
| Width | 45 mm |
| Depth | 97.1 mm |
| Required spacing | |
| <ul style="list-style-type: none"> • for grounded parts <ul style="list-style-type: none"> — forwards — Backwards — upwards — at the side — downwards • for live parts <ul style="list-style-type: none"> — forwards — Backwards — upwards — downwards — at the side | 0 mm 0 mm 20 mm 9 mm 10 mm 0 mm 0 mm 20 mm 10 mm 9 mm |

| | |
|---|--|
| Connections/ Terminals | |
| Type of electrical connection | |
| <ul style="list-style-type: none"> • for main current circuit | screw-type terminals |
| Type of connectable conductor cross-sections | |
| <ul style="list-style-type: none"> • for main contacts <ul style="list-style-type: none"> — stranded | 0.5 ... 4 mm ² , 2x (0.75 ... 2.5 mm ²) |

| | |
|--|--|
| <ul style="list-style-type: none"> at AWG conductors for main contacts | 2x (20 ... 16), only for contactor 2x (18 ... 14), 2x 12 |
| Connectable conductor cross-section for main contacts | |
| <ul style="list-style-type: none"> finely stranded with core end processing | 0.5 ... 2.5 mm ² |

Safety related data

| | |
|--|-----------|
| B10 value | |
| <ul style="list-style-type: none"> with high demand rate acc. to SN 31920 | 1 000 000 |
| Proportion of dangerous failures | |
| <ul style="list-style-type: none"> with high demand rate acc. to SN 31920 | 73 % |

Certificates/ approvals

| | | |
|---------------------------------|---------------------------------------|----------------------------------|
| General Product Approval | For use in hazardous locations | Declaration of Conformity |
|---------------------------------|---------------------------------------|----------------------------------|



[Miscellaneous](#)

| | |
|--------------------------|--------------------------|
| Test Certificates | Marine / Shipping |
|--------------------------|--------------------------|

[Special Test Certificate](#)

[Type Test Certificates/Test Report](#)



| | | |
|--------------------------|--------------|----------------|
| Marine / Shipping | other | Railway |
|--------------------------|--------------|----------------|



[Confirmation](#)

[Vibration and Shock](#)

Further information

Information- and Downloadcenter (Catalogs, Brochures,...)

<https://www.siemens.com/ic10>

Industry Mall (Online ordering system)

<https://mall.industry.siemens.com/mall/en/en/Catalog/product?mlfb=3RA2115-1KA17-1AK6>

Cax online generator

<http://support.automation.siemens.com/WW/CAXorder/default.aspx?lang=en&mlfb=3RA2115-1KA17-1AK6>

Service&Support (Manuals, Certificates, Characteristics, FAQs,...)

<https://support.industry.siemens.com/cs/ww/en/ps/3RA2115-1KA17-1AK6>

Image database (product images, 2D dimension drawings, 3D models, device circuit diagrams, EPLAN macros, ...)

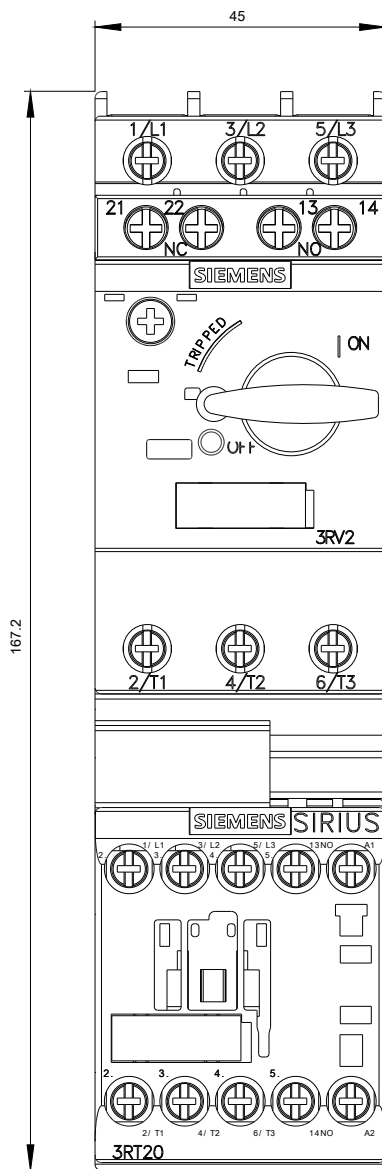
http://www.automation.siemens.com/bilddb/cax_de.aspx?mlfb=3RA2115-1KA17-1AK6&lang=en

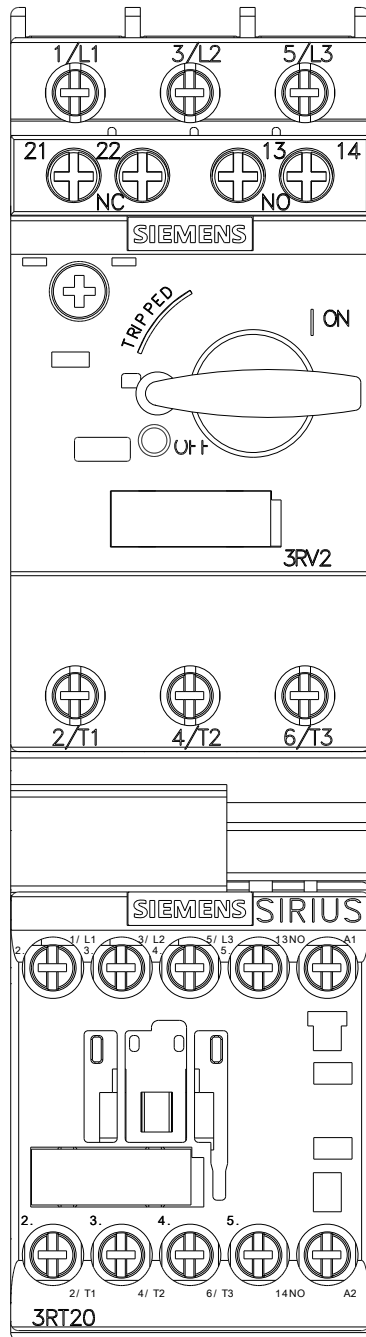
Characteristic: Tripping characteristics, I^t, Let-through current

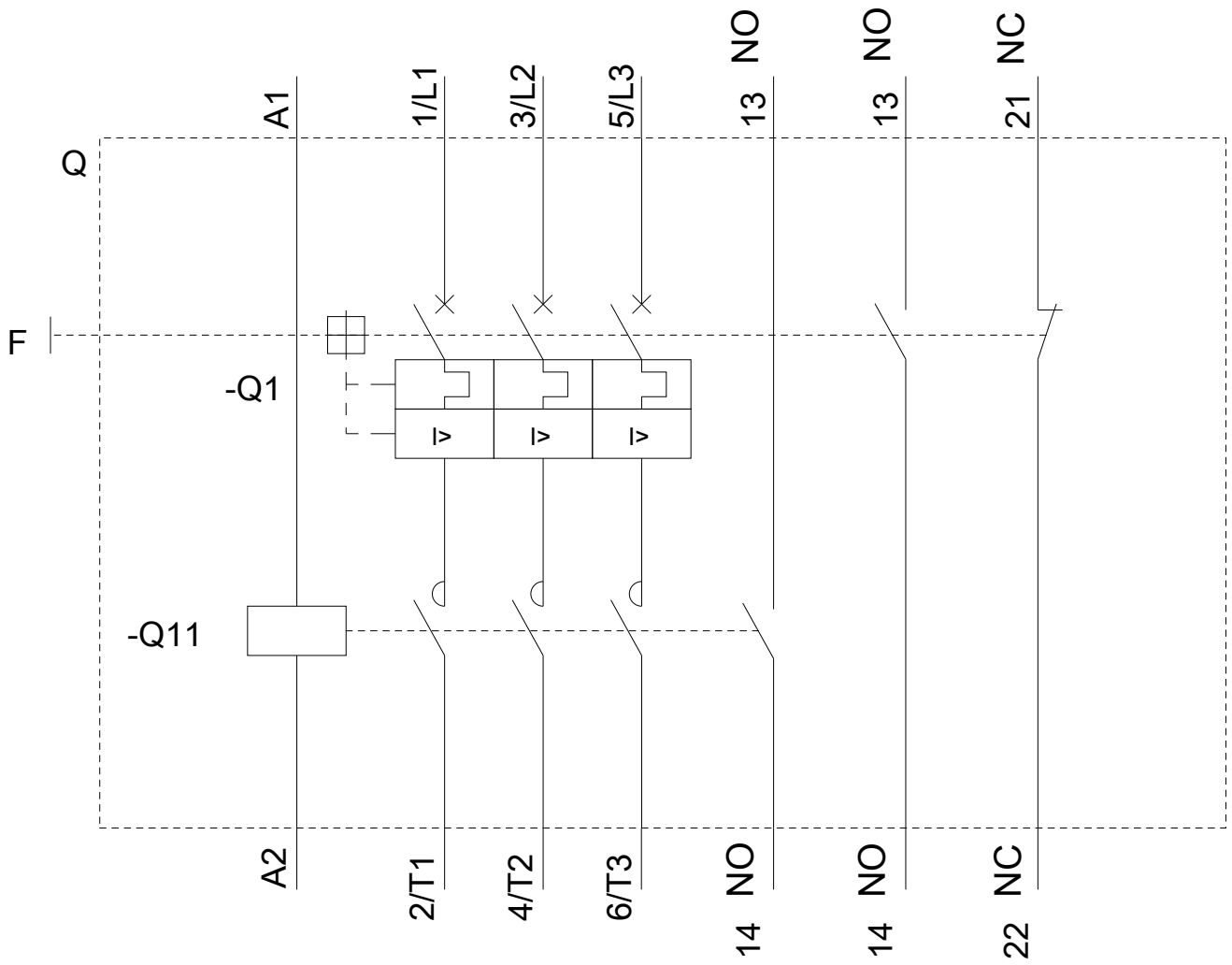
<https://support.industry.siemens.com/cs/ww/en/ps/3RA2115-1KA17-1AK6/char>

Further characteristics (e.g. electrical endurance, switching frequency)

<http://www.automation.siemens.com/bilddb/index.aspx?view=Search&mlfb=3RA2115-1KA17-1AK6&objecttype=14&gridview=view1>







last modified:

03/31/2020