

Fuseless motor starter Direct start 600VAC Size S00 1.8-2.5A
 220/240VAC 50/60HZ screw connection For screw mounting Or 35
 mm rail-mounting Type of coordination 2 IQ = 150 KA Also full fills
 type Of coordination 1 1NO+1NC (MSP) 1NO (contactor)



| | |
|--|-------------------------------|
| Product brand name | SIRIUS |
| Product designation | non-fused motor starter 3RA2 |
| Design of the product | direct starter |
| Manufacturer's article number | |
| <ul style="list-style-type: none"> • of the supplied contactor | 3RT2015-1AP61 |
| <ul style="list-style-type: none"> • of the supplied circuit-breakers | 3RV2011-1CA15 |
| <ul style="list-style-type: none"> • of the supplied link module | 3RA1921-1DA00 |

| General technical data | |
|--|-------|
| Size of the circuit-breaker | S00 |
| Size of load feeder | S00 |
| Product extension | |
| <ul style="list-style-type: none"> • Auxiliary switch | Yes |
| Insulation voltage | |
| <ul style="list-style-type: none"> • with degree of pollution 3 at AC rated value | 690 V |
| Degree of pollution | 3 |
| Surge voltage resistance rated value | 6 kV |
| Protection class IP | |
| <ul style="list-style-type: none"> • on the front | IP20 |
| <ul style="list-style-type: none"> • of the terminal | IP00 |

| | |
|--|------------|
| Shock resistance | |
| <ul style="list-style-type: none"> • acc. to IEC 60068-2-27 | 6g / 11 ms |
| Mechanical service life (switching cycles) | |
| <ul style="list-style-type: none"> • of contactor typical | 30 000 000 |
| Type of assignment | 2 |

Main circuit

| | |
|---|-------------------|
| Number of poles for main current circuit | 3 |
| Design of the switching contact | electromechanical |
| Adjustable pick-up value current of the current-dependent overload release | 1.8 ... 2.5 A |
| Operating voltage | |
| <ul style="list-style-type: none"> • rated value | 690 V |
| <ul style="list-style-type: none"> • at AC-3 rated value maximum | 690 V |
| Operating frequency rated value | 50 ... 60 Hz |
| Operating current | |
| <ul style="list-style-type: none"> • at AC-3 — at 400 V rated value | 1.9 A |
| Operating power | |
| <ul style="list-style-type: none"> • at AC-3 — at 400 V rated value — at 500 V rated value | 750 W 1 100 W |

Control circuit/ Control

| | |
|--|--|
| Control supply voltage at AC | |
| <ul style="list-style-type: none"> • at 50 Hz rated value • at 50 Hz rated value • at 60 Hz rated value • at 60 Hz rated value | 220 V 187 ... 242 V 240 V 192 ... 264 V |
| Apparent holding power of magnet coil at AC | 4.8 V·A |
| Inductive power factor with the holding power of the coil | 0.25 |

Auxiliary circuit

| | |
|---|---|
| Number of NC contacts for auxiliary contacts | 1 |
| Number of NO contacts for auxiliary contacts | 2 |

Protective and monitoring functions

| | |
|--|----------------------|
| Trip class | CLASS 10 |
| Design of the overload release | thermal (bimetallic) |
| Response value current | |
| <ul style="list-style-type: none"> • of instantaneous short-circuit trip unit | 32.5 A |

UL/CSA ratings

| | |
|--|--------|
| Full-load current (FLA) for three-phase AC motor | |
| <ul style="list-style-type: none"> • at 480 V rated value | 2.15 A |

| | |
|--|------------------------------------|
| <ul style="list-style-type: none"> • at 600 V rated value | 2.24 A |
| Yielded mechanical performance [hp] | |
| <ul style="list-style-type: none"> • for single-phase AC motor <ul style="list-style-type: none"> — at 230 V rated value | 0.17 hp |
| <ul style="list-style-type: none"> • for three-phase AC motor <ul style="list-style-type: none"> — at 200/208 V rated value — at 220/230 V rated value — at 460/480 V rated value — at 575/600 V rated value | 0.5 hp 0.5 hp 1 hp 1.5 hp |

Short-circuit protection

| | |
|--|------------------------|
| Product function Short circuit protection | Yes |
| Design of the short-circuit trip | magnetic |
| Conditional short-circuit current (I_q) | |
| <ul style="list-style-type: none"> • at 400 V acc. to IEC 60947-4-1 rated value • at 500 V acc. to IEC 60947-4-1 rated value | 153 000 A 100 000 A |

Installation/ mounting/ dimensions

| | |
|--|--|
| Mounting position | vertical |
| Mounting type | Snap-mounted to DIN rail or screw-mounted with additional push-in lug |
| Height | 167.2 mm |
| Width | 45 mm |
| Depth | 97.1 mm |
| Required spacing | |
| <ul style="list-style-type: none"> • for grounded parts <ul style="list-style-type: none"> — forwards — Backwards — upwards — at the side — downwards • for live parts <ul style="list-style-type: none"> — forwards — Backwards — upwards — downwards — at the side | 0 mm 0 mm 20 mm 9 mm 10 mm 0 mm 0 mm 20 mm 10 mm 9 mm |

Connections/ Terminals

| | |
|---|--|
| Type of electrical connection | |
| <ul style="list-style-type: none"> • for main current circuit | screw-type terminals |
| Type of connectable conductor cross-sections | |
| <ul style="list-style-type: none"> • for main contacts <ul style="list-style-type: none"> — stranded | 0.5 ... 4 mm ² , 2x (0.75 ... 2.5 mm ²) |

| | |
|--|--|
| <ul style="list-style-type: none"> at AWG conductors for main contacts | 2x (20 ... 16), only for contactor 2x (18 ... 14), 2x 12 |
| Connectable conductor cross-section for main contacts | |
| <ul style="list-style-type: none"> finely stranded with core end processing | 0.5 ... 2.5 mm ² |

Safety related data

| | |
|--|-----------|
| B10 value | |
| <ul style="list-style-type: none"> with high demand rate acc. to SN 31920 | 1 000 000 |
| Proportion of dangerous failures | |
| <ul style="list-style-type: none"> with high demand rate acc. to SN 31920 | 73 % |

Certificates/ approvals

| | | |
|---------------------------------|---------------------------------------|----------------------------------|
| General Product Approval | For use in hazardous locations | Declaration of Conformity |
|---------------------------------|---------------------------------------|----------------------------------|



[Miscellaneous](#)

| | |
|--------------------------|--------------------------|
| Test Certificates | Marine / Shipping |
|--------------------------|--------------------------|

[Special Test Certificate](#)

[Type Test Certificates/Test Report](#)



| | | |
|--------------------------|--------------|----------------|
| Marine / Shipping | other | Railway |
|--------------------------|--------------|----------------|



[Confirmation](#)

[Vibration and Shock](#)

Further information

Information- and Downloadcenter (Catalogs, Brochures,...)

<https://www.siemens.com/ic10>

Industry Mall (Online ordering system)

<https://mall.industry.siemens.com/mall/en/en/Catalog/product?mlfb=3RA2115-1CA15-1AP6>

Cax online generator

<http://support.automation.siemens.com/WW/CAXorder/default.aspx?lang=en&mlfb=3RA2115-1CA15-1AP6>

Service&Support (Manuals, Certificates, Characteristics, FAQs,...)

<https://support.industry.siemens.com/cs/ww/en/ps/3RA2115-1CA15-1AP6>

Image database (product images, 2D dimension drawings, 3D models, device circuit diagrams, EPLAN macros, ...)

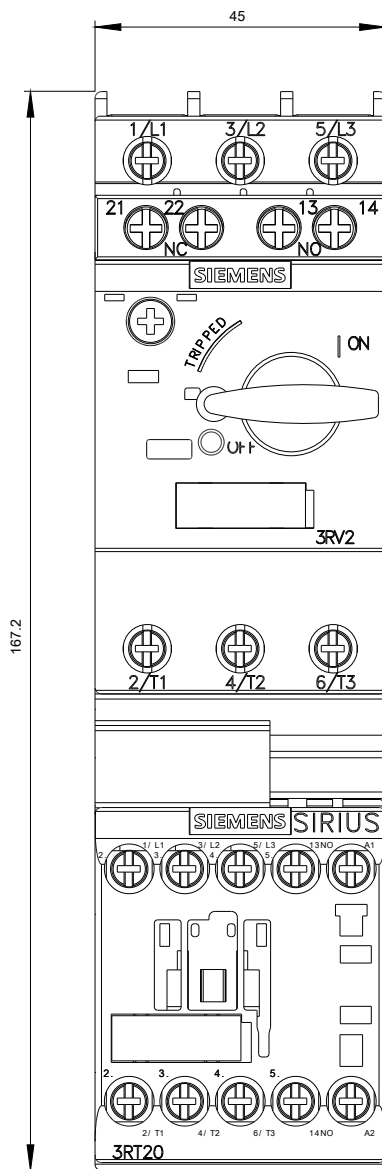
http://www.automation.siemens.com/bilddb/cax_de.aspx?mlfb=3RA2115-1CA15-1AP6&lang=en

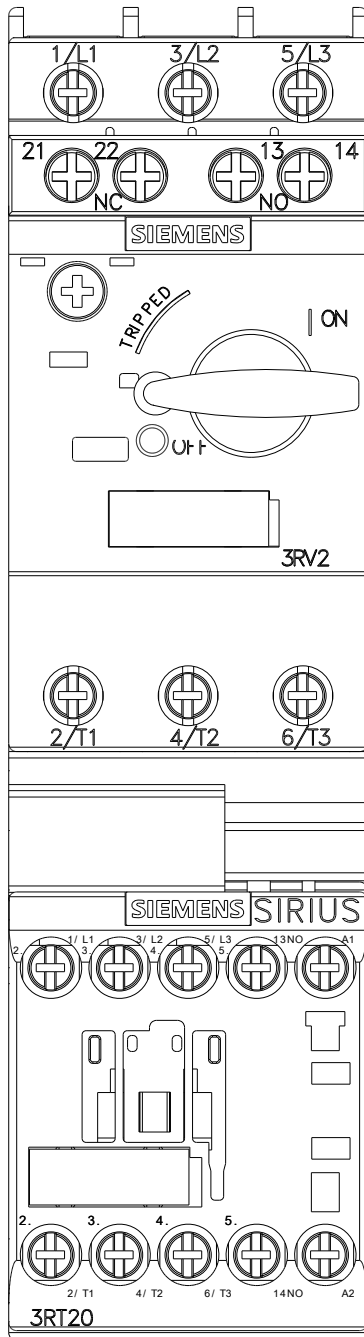
Characteristic: Tripping characteristics, I^t, Let-through current

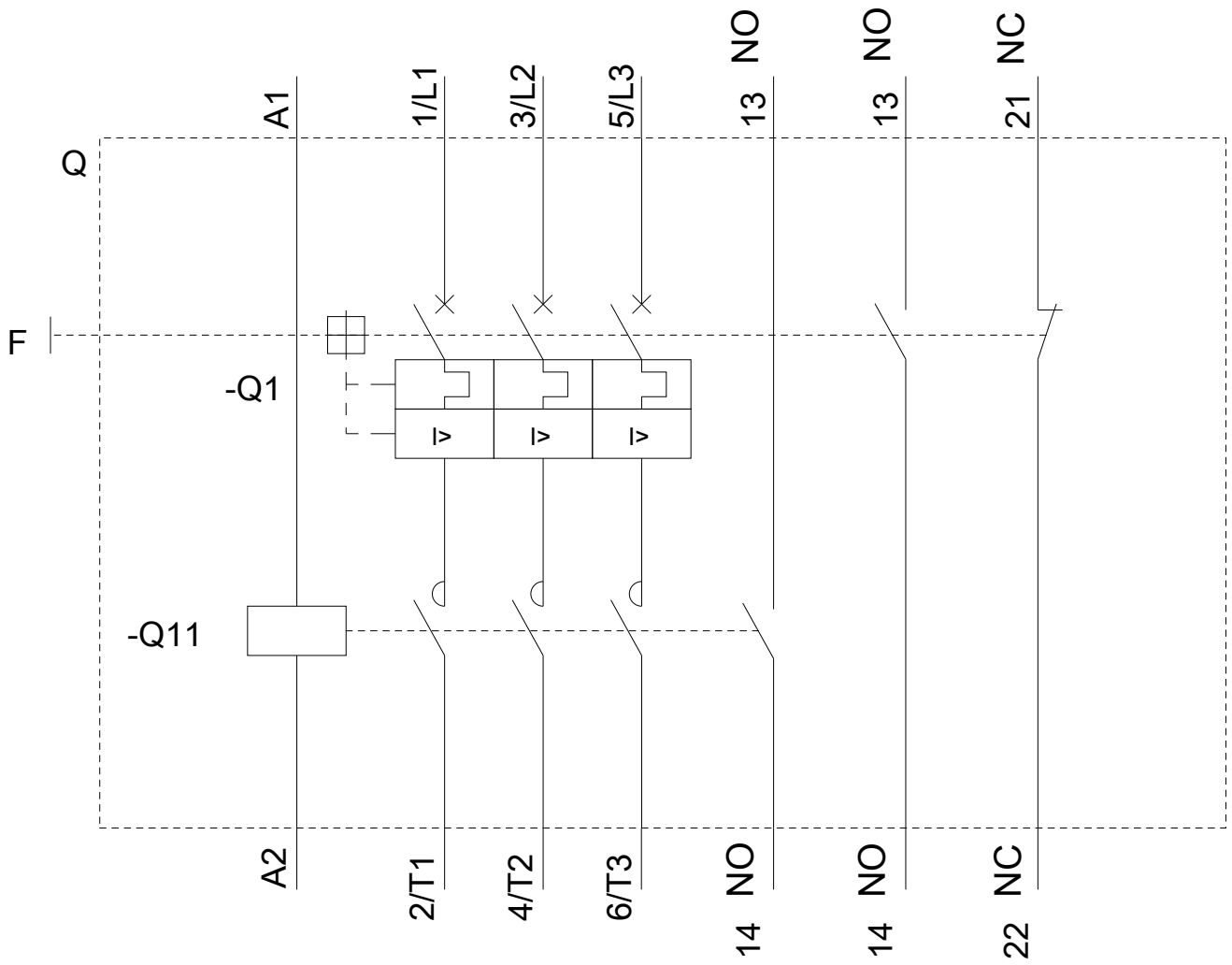
<https://support.industry.siemens.com/cs/ww/en/ps/3RA2115-1CA15-1AP6/char>

Further characteristics (e.g. electrical endurance, switching frequency)

<http://www.automation.siemens.com/bilddb/index.aspx?view=Search&mlfb=3RA2115-1CA15-1AP6&objecttype=14&gridview=view1>







last modified:

03/06/2020