

FUSELESS LOAD FEEDER DIRECT START, AC 400V, SZ. S00
 2.8. . .4A, AC 110/120V 50/60HZ SCREW TERMINAL FOR BUSBAR
 SYSTEMS 60MM TYPE OF ASSIGNMENT 2,IQ = 150KA (ALSO
 FULFILLS TYPE OF ASSIGNMENT 1) 1NO (CONTACTOR)



Product brand name	SIRIUS
Product designation	non-fused load feeders 3RA2
Design of the product	direct starter
Manufacturer's article number	
<ul style="list-style-type: none"> • of the supplied contactor • of the supplied circuit-breakers • of the supplied busbar adapter • of the supplied link module 	<ul style="list-style-type: none"> 3RT2015-1AK61 3RV2011-1EA10 8US1251-5DS10 3RA1921-1DA00

General technical data	
Size of the circuit-breaker	S00
Size of load feeder	S00
Product extension	
<ul style="list-style-type: none"> • Auxiliary switch 	Yes
Insulation voltage	
<ul style="list-style-type: none"> • with degree of pollution 3 at AC rated value 	690 V
Degree of pollution	3
Surge voltage resistance rated value	6 kV
Protection class IP	
<ul style="list-style-type: none"> • on the front 	IP20

<ul style="list-style-type: none"> • of the terminal 	IP00
Shock resistance <ul style="list-style-type: none"> • acc. to IEC 60068-2-27 	6g / 11 ms
Mechanical service life (switching cycles) <ul style="list-style-type: none"> • of contactor typical 	30 000 000
Type of assignment	2

Main circuit

Number of poles for main current circuit	3
Design of the switching contact	electromechanical
Adjustable pick-up value current of the current-dependent overload release	2.8 ... 4 A
Operating voltage <ul style="list-style-type: none"> • rated value • at AC-3 rated value maximum 	690 V 690 V
Operating frequency rated value	50 ... 60 Hz
Operating current <ul style="list-style-type: none"> • at AC-3 <ul style="list-style-type: none"> — at 400 V rated value 	3.6 A
Operating power <ul style="list-style-type: none"> • at AC-3 <ul style="list-style-type: none"> — at 400 V rated value — at 500 V rated value — at 690 V rated value 	1 500 W 2 200 W 3 000 W

Control circuit/ Control

Control supply voltage at AC <ul style="list-style-type: none"> • at 50 Hz rated value • at 60 Hz rated value 	110 V 120 V
Apparent holding power of magnet coil at AC	4.2 V·A

Protective and monitoring functions

Trip class	CLASS 10
Design of the overload release	thermal (bimetallic)
Response value current <ul style="list-style-type: none"> • of instantaneous short-circuit trip unit 	52 A

UL/CSA ratings

Full-load current (FLA) for three-phase AC motor <ul style="list-style-type: none"> • at 480 V rated value • at 600 V rated value 	3.95 A 4 A
Yielded mechanical performance [hp] <ul style="list-style-type: none"> • for single-phase AC motor <ul style="list-style-type: none"> — at 110/120 V rated value — at 230 V rated value 	0.13 hp 0.33 hp

• for three-phase AC motor	
— at 200/208 V rated value	0.75 hp
— at 220/230 V rated value	0.75 hp
— at 460/480 V rated value	2 hp
— at 575/600 V rated value	3 hp

Short-circuit protection

Product function Short circuit protection	Yes
Design of the short-circuit trip	magnetic
Conditional short-circuit current (I_q)	
• at 690 V acc. to IEC 60947-4-1 rated value	4 000 A
• at 400 V acc. to IEC 60947-4-1 rated value	153 000 A
• at 500 V acc. to IEC 60947-4-1 rated value	100 000 A

Installation/ mounting/ dimensions

Mounting position	vertical
Mounting type	for snapping onto 60 mm busbar systems
Height	200 mm
Width	45 mm
Depth	155.1 mm
Required spacing	
• for grounded parts	
— forwards	0 mm
— Backwards	0 mm
— upwards	20 mm
— at the side	9 mm
— downwards	10 mm
• for live parts	
— forwards	0 mm
— Backwards	0 mm
— upwards	20 mm
— downwards	10 mm
— at the side	9 mm






Connections/ Terminals

Type of electrical connection	
• for main current circuit	screw-type terminals
Type of connectable conductor cross-sections	
• for main contacts	
— stranded	0.5 ... 4 mm ² , 2x (0.75 ... 2.5 mm ²)
• at AWG conductors for main contacts	2x (20 ... 16), only for contactor 2x (18 ... 14), 2x 12
Connectable conductor cross-section for main contacts	
• finely stranded with core end processing	0.5 ... 2.5 mm ²

Safety related data



B10 value <ul style="list-style-type: none">with high demand rate acc. to SN 31920	1 000 000
Proportion of dangerous failures <ul style="list-style-type: none">with high demand rate acc. to SN 31920	73 %

Certificates/ approvals

General Product Approval	For use in hazardous locations	Declaration of Conformity
 CSA	 UL	 EAC
	 ATEX	 EG-Konf.

[Miscellaneous](#)

Test Certificates	Marine / Shipping
Special Test Certificate	Type Test Certificates/Test Report
	 ABS
	 LRS
	 PRS
	 RINA

Marine / Shipping	other	Railway
 RMRS	 DNV-GL	Confirmation
		Vibration and Shock

Further information

Information- and Downloadcenter (Catalogs, Brochures,...)

<https://www.siemens.com/ic10>

Industry Mall (Online ordering system)

<https://mall.industry.siemens.com/mall/en/en/Catalog/product?mlfb=3RA2110-1ED15-1AK6>

Cax online generator

<http://support.automation.siemens.com/WW/CAXorder/default.aspx?lang=en&mlfb=3RA2110-1ED15-1AK6>

Service&Support (Manuals, Certificates, Characteristics, FAQs,...)

<https://support.industry.siemens.com/cs/ww/en/ps/3RA2110-1ED15-1AK6>

Image database (product images, 2D dimension drawings, 3D models, device circuit diagrams, EPLAN macros, ...)

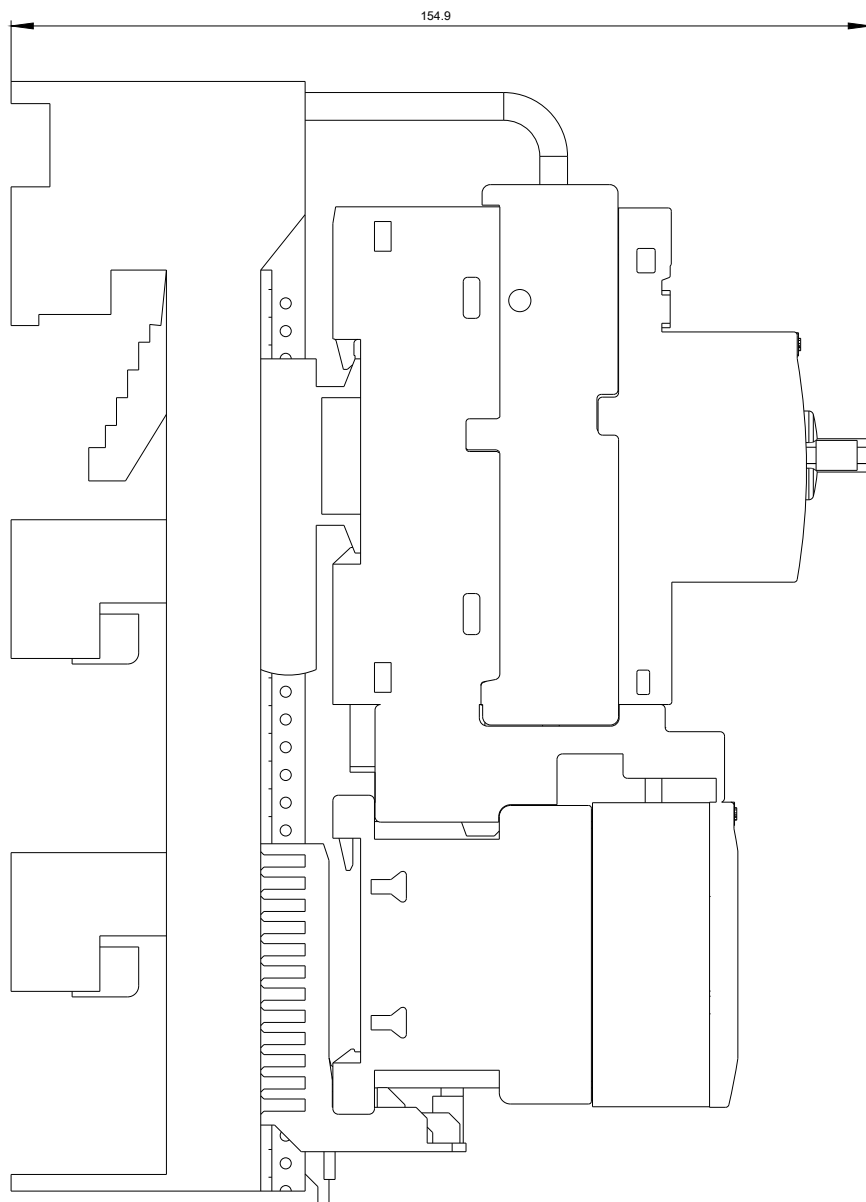
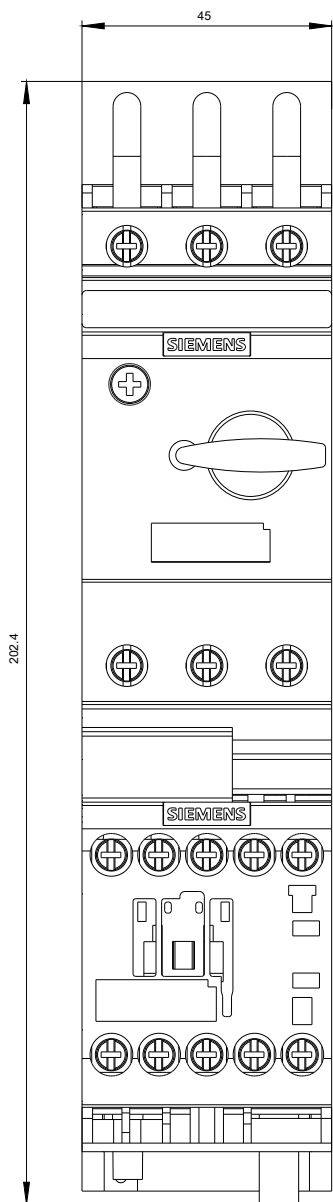
http://www.automation.siemens.com/bilddb/cax_de.aspx?mlfb=3RA2110-1ED15-1AK6&lang=en

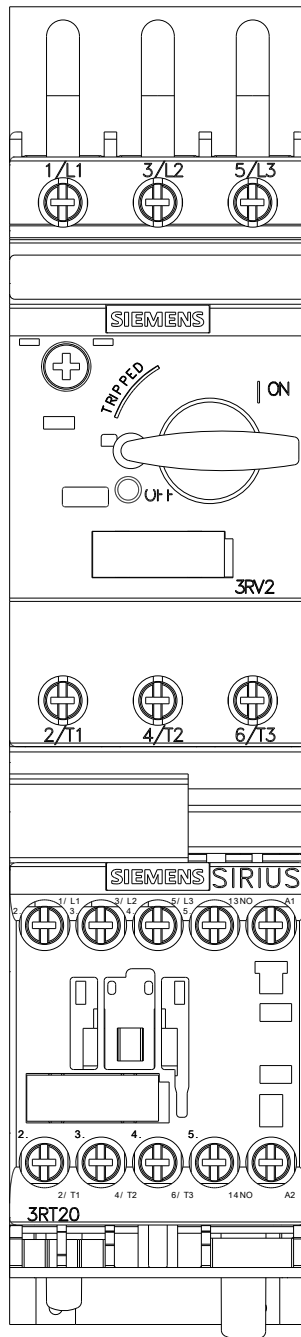
Characteristic: Tripping characteristics, I²t, Let-through current

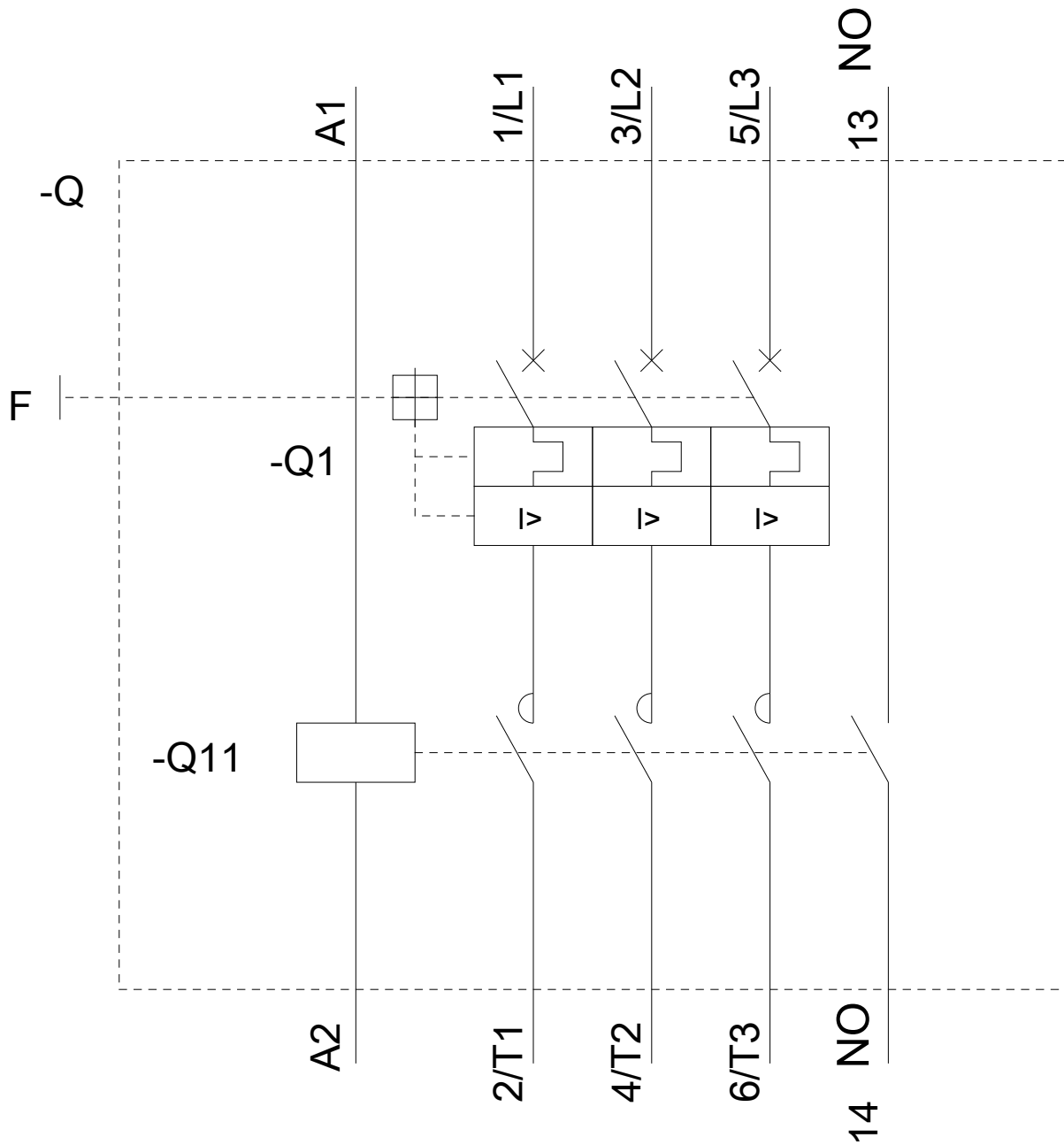
<https://support.industry.siemens.com/cs/ww/en/ps/3RA2110-1ED15-1AK6/char>

Further characteristics (e.g. electrical endurance, switching frequency)

<http://www.automation.siemens.com/bilddb/index.aspx?view=Search&mlfb=3RA2110-1ED15-1AK6&objecttype=14&gridview=view1>







last modified:

03/16/2020