

FUSELESS LOAD FEEDER DIRECT START, AC 400V, SZ. S00
 0.45...0.63A, AC110/120V 50/60HZ SCREW TERMINAL FOR
 BUSBAR SYSTEMS 60MM TYPE OF ASSIGNMENT 2, IQ = 150KA
 (ALSO FULFILLS TYPE OF ASSIGNMENT 1) 1NO (CONTACTOR)



| | |
|--|--|
| Product brand name | SIRIUS |
| Product designation | non-fused load feeders 3RA2 |
| Design of the product | direct starter |
| Manufacturer's article number | |
| <ul style="list-style-type: none"> • of the supplied contactor • of the supplied circuit-breakers • of the supplied busbar adapter • of the supplied link module | <ul style="list-style-type: none"> 3RT2015-1AK61 3RV2011-0GA10 8US1251-5DS10 3RA1921-1DA00 |
| General technical data | |
| Size of the circuit-breaker | S00 |
| Size of load feeder | S00 |
| Product extension | |
| <ul style="list-style-type: none"> • Auxiliary switch | Yes |
| Insulation voltage | |
| <ul style="list-style-type: none"> • with degree of pollution 3 at AC rated value | 690 V |
| Degree of pollution | 3 |
| Surge voltage resistance rated value | 6 kV |
| Protection class IP | |
| <ul style="list-style-type: none"> • on the front | IP20 |

| | |
|---|------------|
| • of the terminal | IP00 |
| Shock resistance | |
| • acc. to IEC 60068-2-27 | 6g / 11 ms |
| Mechanical service life (switching cycles) | |
| • of contactor typical | 30 000 000 |
| Type of assignment | 2 |

Main circuit

| | |
|---|-------------------|
| Number of poles for main current circuit | 3 |
| Design of the switching contact | electromechanical |
| Adjustable pick-up value current of the current-dependent overload release | 0.45 ... 0.63 A |
| Operating voltage | |
| • rated value | 690 V |
| • at AC-3 rated value maximum | 690 V |
| Operating frequency rated value | 50 ... 60 Hz |
| Operating current | |
| • at AC-3 | |
| — at 400 V rated value | 0.6 A |
| Operating power | |
| • at AC-3 | |
| — at 400 V rated value | 180 W |
| — at 500 V rated value | 180 W |
| — at 690 V rated value | 250 W |

Control circuit/ Control

| | |
|--|---------|
| Control supply voltage at AC | |
| • at 50 Hz rated value | 110 V |
| • at 60 Hz rated value | 120 V |
| Apparent holding power of magnet coil at AC | 4.2 V·A |

Protective and monitoring functions

| | |
|--|----------------------|
| Trip class | CLASS 10 |
| Design of the overload release | thermal (bimetallic) |
| Response value current | |
| • of instantaneous short-circuit trip unit | 8.19 A |

Short-circuit protection

| | |
|--|-----------|
| Product function Short circuit protection | Yes |
| Design of the short-circuit trip | magnetic |
| Conditional short-circuit current (I_q) | |
| • at 690 V acc. to IEC 60947-4-1 rated value | 100 000 A |
| • at 400 V acc. to IEC 60947-4-1 rated value | 153 000 A |
| • at 500 V acc. to IEC 60947-4-1 rated value | 100 000 A |

| Installation/ mounting/ dimensions | |
|--|--|
| Mounting position | vertical |
| Mounting type | for snapping onto 60 mm busbar systems |
| Height | 200 mm |
| Width | 45 mm |
| Depth | 155.1 mm |
| Required spacing | |
| <ul style="list-style-type: none"> • for grounded parts <ul style="list-style-type: none"> — forwards 0 mm — Backwards 0 mm — upwards 20 mm — at the side 9 mm — downwards 10 mm • for live parts <ul style="list-style-type: none"> — forwards 0 mm — Backwards 0 mm — upwards 20 mm — downwards 10 mm — at the side 9 mm | |
| Connections/ Terminals | |
| Type of electrical connection | |
| <ul style="list-style-type: none"> • for main current circuit | screw-type terminals |
| Type of connectable conductor cross-sections | |
| <ul style="list-style-type: none"> • for main contacts <ul style="list-style-type: none"> — stranded 0.5 ... 4 mm², 2x (0.75 ... 2.5 mm²) • at AWG conductors for main contacts 2x (20 ... 16), only for contactor 2x (18 ... 14), 2x 12 | |
| Connectable conductor cross-section for main contacts | |
| <ul style="list-style-type: none"> • finely stranded with core end processing 0.5 ... 2.5 mm² | |
| Safety related data | |
| B10 value | |
| <ul style="list-style-type: none"> • with high demand rate acc. to SN 31920 1 000 000 | |
| Proportion of dangerous failures | |
| <ul style="list-style-type: none"> • with high demand rate acc. to SN 31920 73 % | |
| Certificates/ approvals | |

| | | |
|--------------------------|--------------------------------|---------------------------|
| General Product Approval | For use in hazardous locations | Declaration of Conformity |
|--------------------------|--------------------------------|---------------------------|



[Miscellaneous](#)

| | |
|-------------------|-------------------|
| Test Certificates | Marine / Shipping |
|-------------------|-------------------|

[Special Test Certificate](#)

[Type Test Certificates/Test Report](#)



| | | |
|-------------------|-------|---------|
| Marine / Shipping | other | Railway |
|-------------------|-------|---------|



[Confirmation](#)

[Vibration and Shock](#)

Further information

Information- and Downloadcenter (Catalogs, Brochures,...)

<https://www.siemens.com/ic10>

Industry Mall (Online ordering system)

<https://mall.industry.siemens.com/mall/en/en/Catalog/product?mlfb=3RA2110-0GD15-1AK6>

Cax online generator

<http://support.automation.siemens.com/WW/CAXorder/default.aspx?lang=en&mlfb=3RA2110-0GD15-1AK6>

Service&Support (Manuals, Certificates, Characteristics, FAQs,...)

<https://support.industry.siemens.com/cs/ww/en/ps/3RA2110-0GD15-1AK6>

Image database (product images, 2D dimension drawings, 3D models, device circuit diagrams, EPLAN macros, ...)

http://www.automation.siemens.com/bilddb/cax_de.aspx?mlfb=3RA2110-0GD15-1AK6&lang=en

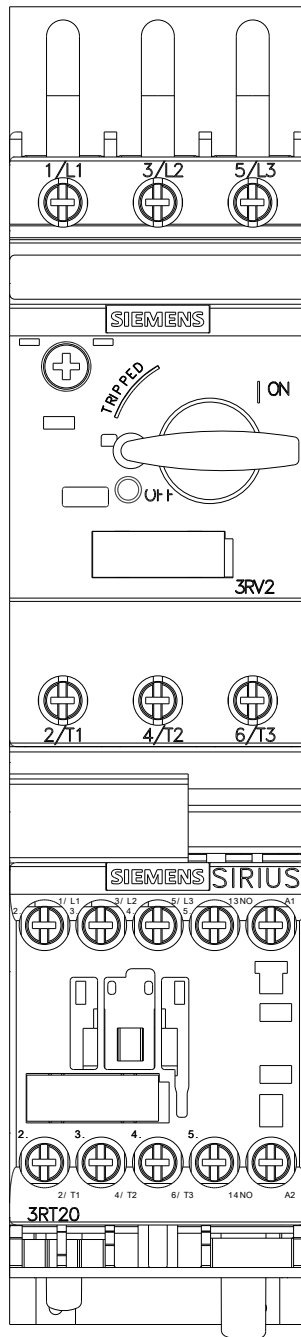
Characteristic: Tripping characteristics, I_t, Let-through current

<https://support.industry.siemens.com/cs/ww/en/ps/3RA2110-0GD15-1AK6/char>

Further characteristics (e.g. electrical endurance, switching frequency)

<http://www.automation.siemens.com/bilddb/index.aspx?view=Search&mlfb=3RA2110-0GD15-1AK6&objecttype=14&gridview=view1>







last modified:

03/05/2020