

SENTRON, Switch disconnecter 3LD, main switch, 6-pole, Iu: 25 A, Operating power / at AC-23 A at 400 V: 9.5 kW, molded-plastic encapsulation for metric cable gland, rotary operating mechanism, black



| Model | |
|--|-----------------------------------|
| Product brand name | SENTRON |
| Product designation | 3LD Switch disconnecter |
| Design of the product | Main switch |
| Display version / for switch position indicator manual operation | 1 ON - 0 OFF |
| Design of the operating mechanism | Short rotary knob |
| Design of handle | rotary operating mechanism, black |
| Type of the driving mechanism / motor drive | No |

| General technical data | |
|--|--|
| Number of poles | 6 |
| Number of poles / Note | PE + N |
| Type of device | fixed mounting |
| Type of switch | Molded-plastic enclosure for metric threaded joint |
| Size of switch disconnecter | 2 |
| Electrical endurance (switching cycles) / at AC-23 A / at 690 V | 6 000 |
| I2t value / with closed switch / at 690 V / for combination switch + gG fuse / maximum | 4 kA2.s |

| | |
|--|----------------------|
| Let-through I _{2t} value / with closed switch / at 440 V / for combination switch + gG fuse / maximum | 4 kA ² .s |
| Mechanical service life (switching cycles) / typical | 100 000 |
| Operating frequency / maximum | 50 1/h |

Voltage

| | |
|---|-------|
| Insulation voltage / rated value | 690 V |
| Surge voltage resistance / rated value | 6 kV |
| Current / at AC / rated value | 25 A |
| Operating voltage <ul style="list-style-type: none"> • at AC / at 50/60 Hz / rated value | 690 V |

Protection class

| | |
|------------------------------------|------|
| Protection class IP | IP65 |
| Protection class IP / on the front | IP65 |

Dissipation

| | |
|--|----------------|
| Power loss [W] <ul style="list-style-type: none"> • for rated value of the current / at AC / in hot operating state / per pole • per conductor / typical | 1.1 W 1.1 W |
|--|----------------|

Current

| | |
|--|--|
| Operating current <ul style="list-style-type: none"> • at AC-23 A / at 690 V / rated value • at AC-23 A / at 400 V / rated value • at AC-22 A / at 690 V / rated value • at AC-21 / at 690 V / rated value • at AC-21 A / at 240 V / rated value • at AC-21 A / at 440 V / rated value • at AC-22 A / at 240 V / rated value • at AC-22 A / at 440 V / rated value • at AC-23 A / at 240 V / rated value • at AC-23 A / at 440 V / rated value | 11 A 20 A 25 A 25 A 25 A 25 A 25 A 25 A 20 A 20 A |
| Continuous current <ul style="list-style-type: none"> • rated value • at 40 °C / rated value • at 45 °C / rated value • at 50 °C / rated value • at 55 °C / rated value | 25 A 25 A 25 A 25 A 25 A |
| Operating current / of upstream fuse / rated value | 25 A |
| Let-through current / with closed switch <ul style="list-style-type: none"> • at 440 V / for combination switch + gG fuse / maximum | 3.5 kA |

| | |
|---|--------|
| <ul style="list-style-type: none"> • at 690 V / for combination switch + gG fuse / maximum permissible | 3.5 kA |
| Short-time withstand current (I _{cw}) | |
| <ul style="list-style-type: none"> • limited to 1 s / rated value | 640 A |
| <ul style="list-style-type: none"> • at 690 V / limited to 1 s / rated value | 640 A |

Main circuit

| | |
|---|--------|
| Operating frequency | |
| <ul style="list-style-type: none"> • initial value | 50 Hz |
| <ul style="list-style-type: none"> • Full-scale value | 60 Hz |
| Operating power | |
| <ul style="list-style-type: none"> • at AC-23 A / at 240 V / rated value | 5 kW |
| <ul style="list-style-type: none"> • at AC-23 A / at 400 V / at 50/60 Hz / rated value | 9.5 kW |
| <ul style="list-style-type: none"> • at AC-23 A / at 400 V / rated value | 9.5 kW |
| <ul style="list-style-type: none"> • at AC-23 A / at 440 V / rated value | 9.5 kW |
| <ul style="list-style-type: none"> • at AC-23 A / at 690 V / rated value | 9.5 kW |
| <ul style="list-style-type: none"> • at AC-3 / at 240 V / rated value | 4 kW |
| <ul style="list-style-type: none"> • at AC-3 / at 400 V / rated value | 7.5 kW |
| <ul style="list-style-type: none"> • at AC-3 / at 690 V / rated value | 7.5 kW |
| Operating current / rated value | 25 A |

Auxiliary circuit

| | |
|---|-------|
| Number of CO contacts / for auxiliary contacts | 0 |
| Number of NC contacts / for auxiliary contacts | 0 |
| Number of NO contacts / for auxiliary contacts | 0 |
| Operating voltage / of auxiliary contacts / at AC / maximum | 500 V |
| Continuous current / of the auxiliary contact / rated value | 10 A |
| Insulation voltage / of the auxiliary switch / rated value | 500 V |

Suitability

| | |
|---|-----|
| Suitability for use | |
| <ul style="list-style-type: none"> • Main switch | Yes |
| <ul style="list-style-type: none"> • switch disconnecter | Yes |
| <ul style="list-style-type: none"> • EMERGENCY OFF switch | No |
| <ul style="list-style-type: none"> • safety switch | Yes |
| <ul style="list-style-type: none"> • maintenance/repair switch | Yes |

Appearance

| | |
|----------------------------------|-------|
| Color / of the actuating element | black |
|----------------------------------|-------|

Product details

| | |
|--|-----|
| Product function / can be locked into OFF position | Yes |
| Number of bracket locks / maximum | 3 |

| | |
|---|----------------------------|
| Hasp thickness / of the bracket locks / minimum | 4 mm |
| Hasp thickness / of the bracket locks / maximum | 8 mm |
| Short circuit | |
| Conditional short-circuit current / with line-side fuse protection | |
| • at 690 V / by gG fuse / rated value | 50 kA |
| Number of connectable NC contacts / for auxiliary contacts / attachable / maximum | 3 |
| Number of connectable NO contacts / for auxiliary contacts / attachable / maximum | 5 |
| Number of connectable CO contacts / for auxiliary contacts / attachable / maximum | 0 |
| Connections | |
| AWG number / as coded connectable conductor cross section / solid | |
| • maximum | 8 |
| • minimum | 14 |
| Type of electrical connection | |
| • for main current circuit | box terminal |
| • for auxiliary contacts | connection terminals |
| Requirements | |
| Design of the fuse link | |
| • for short-circuit protection of the main circuit / required | fuse gL/gG: 25 A |
| • for short-circuit protection of the auxiliary switch / required | fuse gL/gG: 10 A |
| Mechanical Design | |
| Height | 188 mm |
| Width | 146 mm |
| Depth | 149 mm |
| Mounting type | Complete unit in enclosure |
| Mounting type | |
| • front mounting with 4-hole attachment | No |
| • front mounting with central attachment | Yes |
| • rail mounting | No |
| Net weight | 874 g |
| Environmental conditions | |
| Ambient temperature / during operation | |
| • minimum | -25 °C |
| • maximum | 55 °C |
| Ambient temperature / during storage / minimum | -25 °C |

Certificates

Reference code

- acc. to DIN EN 61346-2
- acc. to DIN EN 81346-2

S

SF

General Product Approval

Shipping Ap- proval

other



CSA



UL



VDE

[Miscellaneous](#)



LRS

[Environmental Con-
firmations](#)

Further information

Information- and Downloadcenter (Catalogs, Brochures,...)

<http://www.siemens.com/lowvoltage/catalogs>

Industry Mall (Online ordering system)

<https://mall.industry.siemens.com/mall/en/en/Catalog/product?mlfb=3LD2165-3VB51>

Service&Support (Manuals, Certificates, Characteristics, FAQs,...)

<https://support.industry.siemens.com/cs/ww/en/ps/3LD2165-3VB51>

Image database (product images, 2D dimension drawings, 3D models, device circuit diagrams, ...)

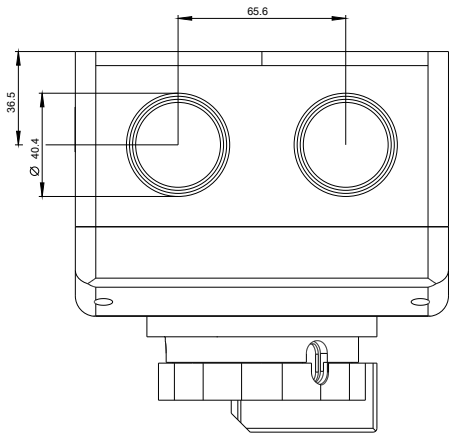
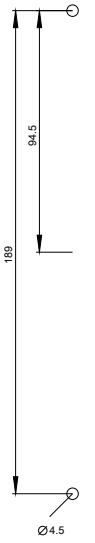
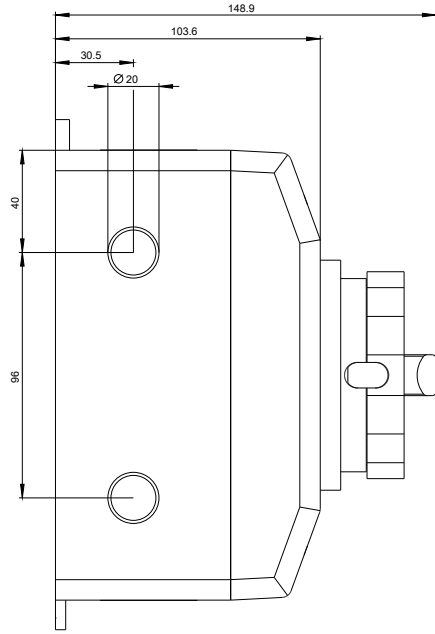
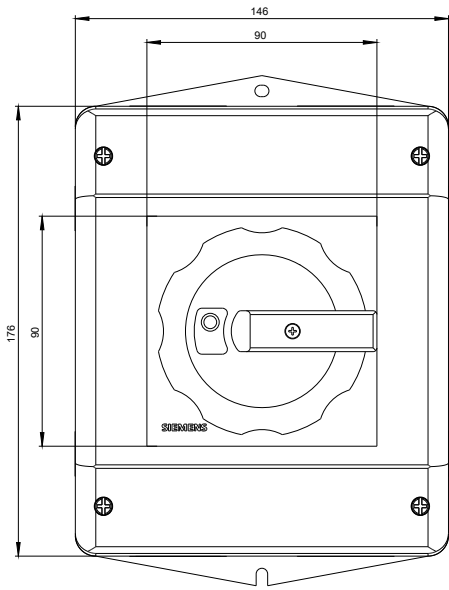
http://www.automation.siemens.com/bilddb/cax_en.aspx?mlfb=3LD2165-3VB51

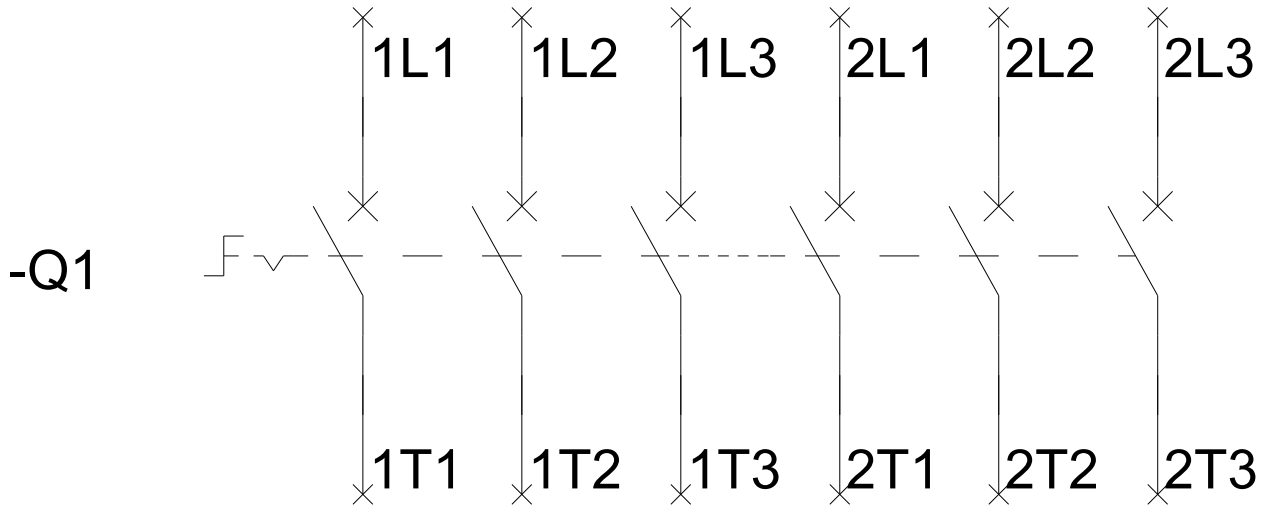
CAX-Online-Generator

<http://www.siemens.com/cax>

Tender specifications

<http://www.siemens.com/specifications>





-CI

