

SETRON, Switch disconnecter 3LD, emergency switching-off switch, 3- pole, Iu: 25 A, operating power / at AC-23 A 400 V: 9.5 kW, installation in distribution boards, knob-operated mechanism, Red / yellow, handle direct at the switch



| Model  |                                     |
|--|-------------------------------------|
| Product brand name   | SETRON                              |
| Product designation  | 3LD Switch disconnecter             |
| Design of the product  | EMERGENCY-STOP switch               |
| Display version / for switch position indicator manual operation | 1 ON - 0 OFF                        |
| Design of the operating mechanism                                | selector switch                     |
| Design of handle   | knob-operated mechanism, red/yellow |
| Type of the driving mechanism / motor drive                      | No                                  |

| General technical data   |                   |
|--|-------------------|
| Number of poles  | 3                 |
| Type of device   | fixed mounting    |
| Type of switch   | DIN-rail mounting |
| Size of switch disconnecter  | 2                 |
| Electrical endurance (switching cycles) / at AC-23 A / at 690 V                        | 6 000             |
| I2t value / with closed switch / at 690 V / for combination switch + gG fuse / maximum | 4 kA2.s           |

|  |                      |
|--|----------------------|
| Let-through I <sub>2t</sub> value / with closed switch / at 440 V / for combination switch + gG fuse / maximum | 4 kA <sup>2</sup> .s |
| Mechanical service life (switching cycles) / typical   | 100 000              |
| Operating frequency / maximum  | 50 1/h               |

### Voltage

|   |       |
|---|-------|
| Insulation voltage / rated value  | 690 V |
| Surge voltage resistance / rated value  | 6 kV  |
| Current / at AC / rated value   | 25 A  |
| Operating voltage <ul style="list-style-type: none"> <li>at AC / at 50/60 Hz / rated value</li> </ul> | 690 V |

### Protection class

|                                    |      |
|------------------------------------|------|
| Protection class IP                | IP40 |
| Protection class IP / on the front | IP40 |

### Dissipation

|  |                |
|--|----------------|
| Power loss [W] <ul style="list-style-type: none"> <li>for rated value of the current / at AC / in hot operating state / per pole</li> <li>per conductor / typical</li> </ul> | 1.1 W<br>1.1 W |
|--|----------------|

### Current

|  |  |
|--|--|
| Operating current <ul style="list-style-type: none"> <li>at AC-23 A / at 690 V / rated value</li> <li>at AC-23 A / at 400 V / rated value</li> <li>at AC-22 A / at 690 V / rated value</li> <li>at AC-21 / at 690 V / rated value</li> <li>at AC-21 A / at 240 V / rated value</li> <li>at AC-21 A / at 440 V / rated value</li> <li>at AC-22 A / at 240 V / rated value</li> <li>at AC-22 A / at 440 V / rated value</li> <li>at AC-23 A / at 240 V / rated value</li> <li>at AC-23 A / at 440 V / rated value</li> </ul> | 11 A<br>20 A<br>25 A<br>25 A<br>25 A<br>25 A<br>25 A<br>25 A<br>20 A<br>20 A |
| Continuous current <ul style="list-style-type: none"> <li>rated value</li> <li>at 40 °C / rated value</li> <li>at 45 °C / rated value</li> <li>at 50 °C / rated value</li> <li>at 55 °C / rated value</li> </ul>   | 25 A<br>25 A<br>25 A<br>25 A<br>25 A   |
| Operating current / of upstream fuse / rated value   | 25 A   |
| Let-through current / with closed switch <ul style="list-style-type: none"> <li>at 440 V / for combination switch + gG fuse / maximum</li> </ul>   | 3.5 kA   |

|   |        |
|---|--------|
| <ul style="list-style-type: none"> <li>• at 690 V / for combination switch + gG fuse / maximum permissible</li> </ul> | 3.5 kA |
| Short-time withstand current (I <sub>cw</sub> )   |        |
| <ul style="list-style-type: none"> <li>• limited to 1 s / rated value</li> </ul>                                      | 640 A  |
| <ul style="list-style-type: none"> <li>• at 690 V / limited to 1 s / rated value</li> </ul>                           | 640 A  |

### Main circuit

|   |        |
|---|--------|
| Operating frequency   |        |
| <ul style="list-style-type: none"> <li>• initial value</li> </ul>                                     | 50 Hz  |
| <ul style="list-style-type: none"> <li>• Full-scale value</li> </ul>                                  | 60 Hz  |
| Operating power   |        |
| <ul style="list-style-type: none"> <li>• at AC-23 A / at 240 V / rated value</li> </ul>               | 5 kW   |
| <ul style="list-style-type: none"> <li>• at AC-23 A / at 400 V / at 50/60 Hz / rated value</li> </ul> | 9.5 kW |
| <ul style="list-style-type: none"> <li>• at AC-23 A / at 400 V / rated value</li> </ul>               | 9.5 kW |
| <ul style="list-style-type: none"> <li>• at AC-23 A / at 440 V / rated value</li> </ul>               | 9.5 kW |
| <ul style="list-style-type: none"> <li>• at AC-23 A / at 690 V / rated value</li> </ul>               | 9.5 kW |
| <ul style="list-style-type: none"> <li>• at AC-3 / at 240 V / rated value</li> </ul>                  | 4 kW   |
| <ul style="list-style-type: none"> <li>• at AC-3 / at 400 V / rated value</li> </ul>                  | 7.5 kW |
| <ul style="list-style-type: none"> <li>• at AC-3 / at 690 V / rated value</li> </ul>                  | 7.5 kW |
| Operating current / rated value   | 25 A   |

### Auxiliary circuit

|   |       |
|---|-------|
| Number of CO contacts / for auxiliary contacts              | 0     |
| Number of NC contacts / for auxiliary contacts              | 0     |
| Number of NO contacts / for auxiliary contacts              | 0     |
| Operating voltage / of auxiliary contacts / at AC / maximum | 500 V |
| Continuous current / of the auxiliary contact / rated value | 10 A  |
| Insulation voltage / of the auxiliary switch / rated value  | 500 V |

### Suitability

|   |     |
|---|-----|
| Suitability for use   |     |
| <ul style="list-style-type: none"> <li>• Main switch</li> </ul>               | Yes |
| <ul style="list-style-type: none"> <li>• switch disconnecter</li> </ul>       | Yes |
| <ul style="list-style-type: none"> <li>• EMERGENCY OFF switch</li> </ul>      | Yes |
| <ul style="list-style-type: none"> <li>• safety switch</li> </ul>             | Yes |
| <ul style="list-style-type: none"> <li>• maintenance/repair switch</li> </ul> | Yes |

### Appearance

|                                  |     |
|----------------------------------|-----|
| Color / of the actuating element | red |
|----------------------------------|-----|

### Product details

|  |     |
|--|-----|
| Product function / can be locked into OFF position | Yes |
| Number of bracket locks / maximum                  | 2   |

|  |                                      |
|--|--------------------------------------|
| Hasp thickness / of the bracket locks / minimum  | 4 mm                                 |
| Hasp thickness / of the bracket locks / maximum  | 6 mm                                 |
| <b>Short circuit</b>   |                                      |
| Conditional short-circuit current / with line-side fuse protection <ul style="list-style-type: none"> <li>• at 690 V / by gG fuse / rated value</li> </ul>   | 50 kA                                |
| Number of connectable NC contacts / for auxiliary contacts / attachable / maximum  | 2                                    |
| Number of connectable NO contacts / for auxiliary contacts / attachable / maximum  | 4                                    |
| Number of connectable CO contacts / for auxiliary contacts / attachable / maximum  | 0                                    |
| <b>Connections</b>   |                                      |
| AWG number / as coded connectable conductor cross section / solid <ul style="list-style-type: none"> <li>• maximum</li> <li>• minimum</li> </ul>   | 8<br>14                              |
| Type of electrical connection <ul style="list-style-type: none"> <li>• for main current circuit</li> <li>• for auxiliary contacts</li> </ul>   | box terminal<br>connection terminals |
| <b>Requirements</b>  |                                      |
| Design of the fuse link <ul style="list-style-type: none"> <li>• for short-circuit protection of the main circuit / required</li> <li>• for short-circuit protection of the auxiliary switch / required</li> </ul> | fuse gL/gG: 25 A<br>fuse gL/gG: 10 A |
| <b>Mechanical Design</b>   |                                      |
| Height   | 55 mm                                |
| Width  | 53 mm                                |
| Depth  | 91 mm                                |
| Mounting type  | Built-in unit fixed-mounted version  |
| Mounting type <ul style="list-style-type: none"> <li>• front mounting with 4-hole attachment</li> <li>• front mounting with central attachment</li> <li>• rail mounting</li> </ul>                                 | No<br>No<br>Yes                      |
| Net weight   | 164 g                                |
| <b>Environmental conditions</b>  |                                      |
| Ambient temperature / during operation <ul style="list-style-type: none"> <li>• minimum</li> <li>• maximum</li> </ul>  | -25 °C<br>55 °C                      |
| Ambient temperature / during storage / minimum   | -25 °C                               |

## Certificates

### Reference code

- acc. to DIN EN 61346-2 S
- acc. to DIN EN 81346-2 SF

### General Product Approval

### Shipping Ap- proval



[Miscellaneous](#)



## other

[Environmental Con-  
firmations](#)

## Further information

### Information- and Downloadcenter (Catalogs, Brochures,...)

<http://www.siemens.com/lowvoltage/catalogs>

### Industry Mall (Online ordering system)

<https://mall.industry.siemens.com/mall/en/en/Catalog/product?mlfb=3LD2130-0TK13>

### Service&Support (Manuals, Certificates, Characteristics, FAQs,...)

<https://support.industry.siemens.com/cs/ww/en/ps/3LD2130-0TK13>

### Image database (product images, 2D dimension drawings, 3D models, device circuit diagrams, ...)

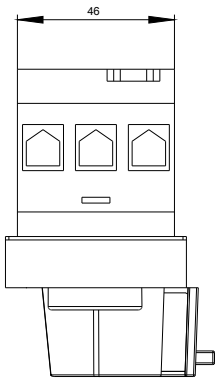
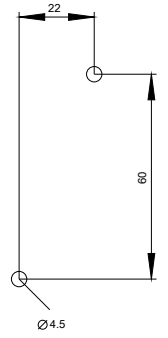
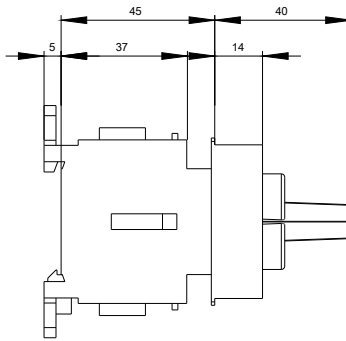
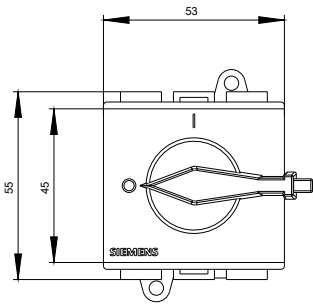
[http://www.automation.siemens.com/bilddb/cax\\_en.aspx?mlfb=3LD2130-0TK13](http://www.automation.siemens.com/bilddb/cax_en.aspx?mlfb=3LD2130-0TK13)

### CAX-Online-Generator

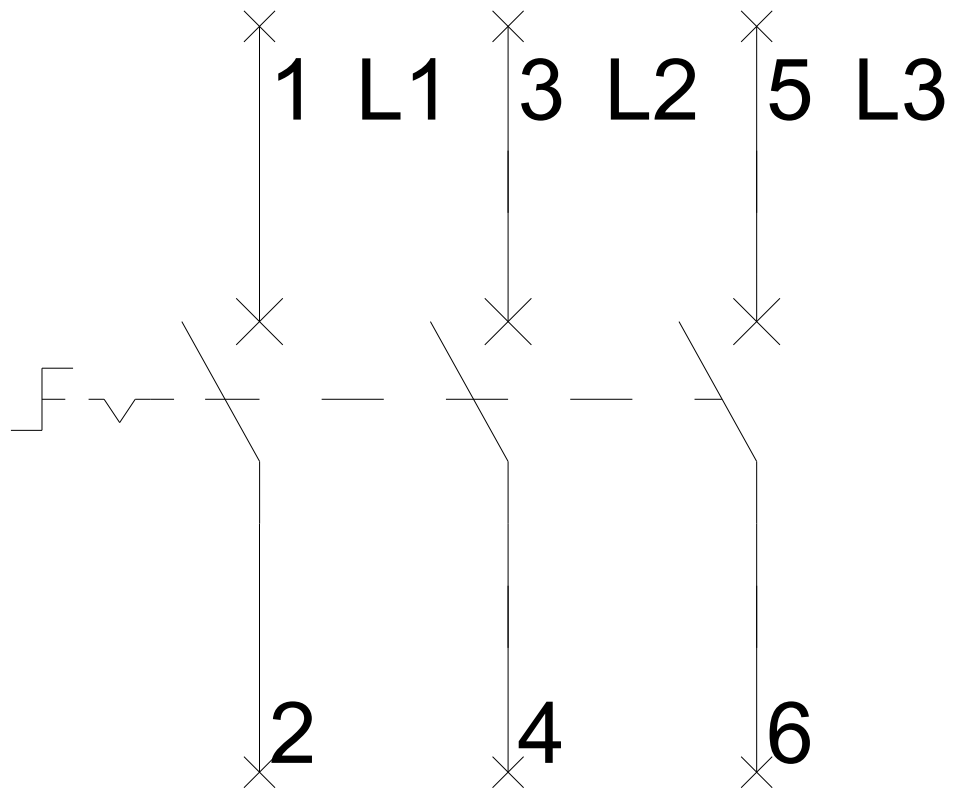
<http://www.siemens.com/cax>

### Tender specifications

<http://www.siemens.com/specifications>



**-Q1**



# -CI

