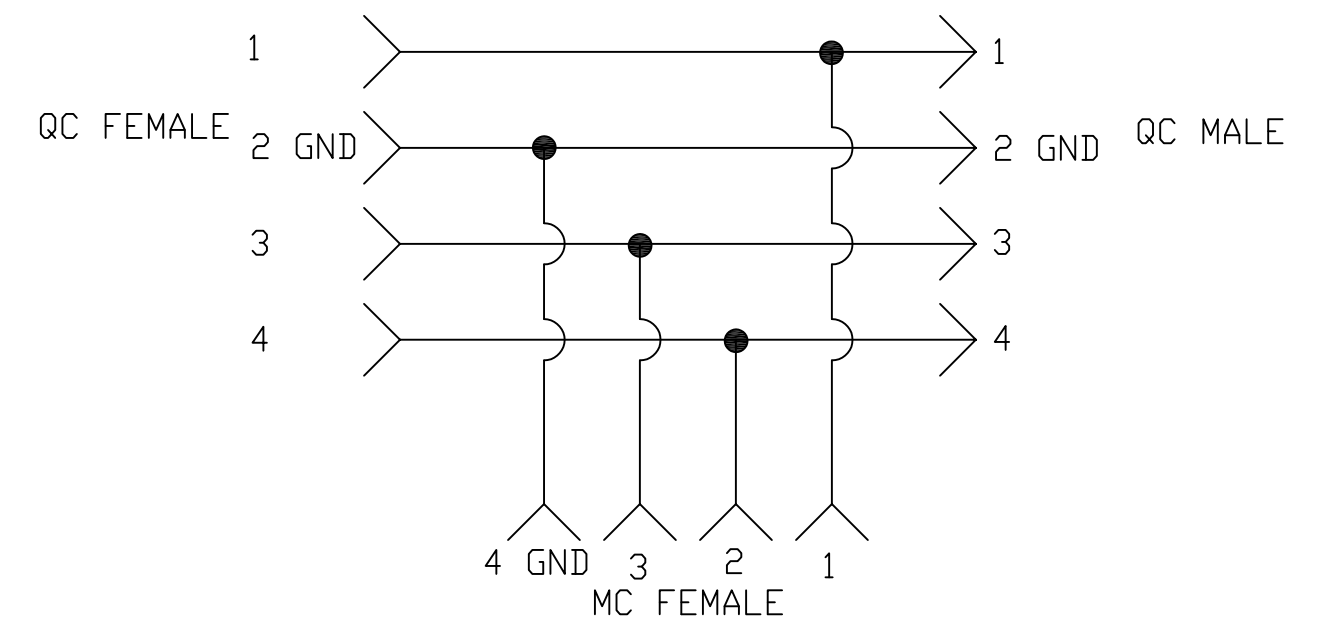
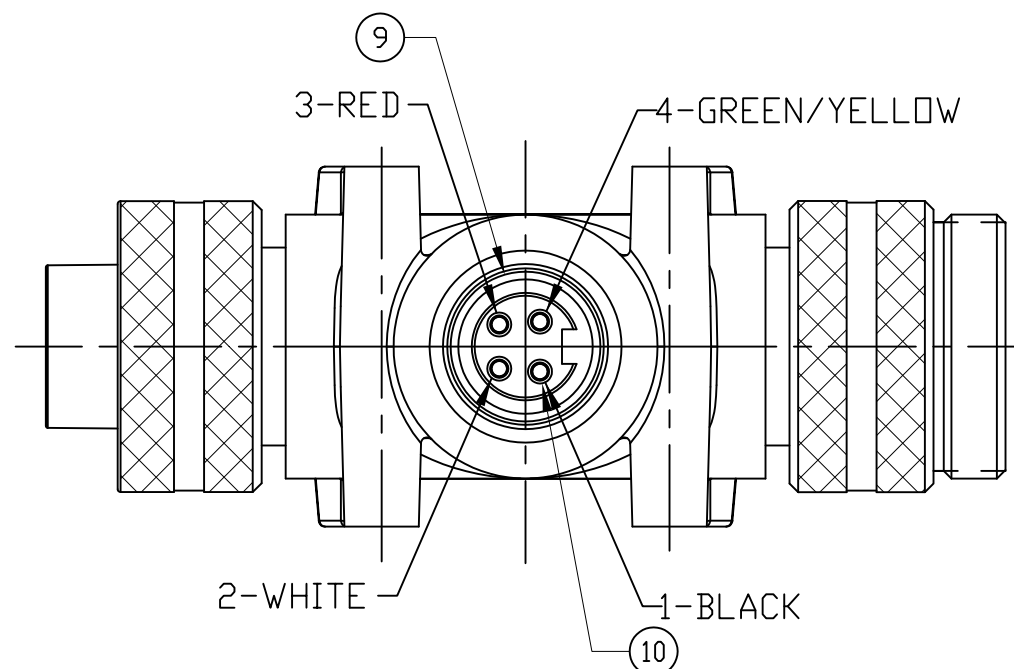
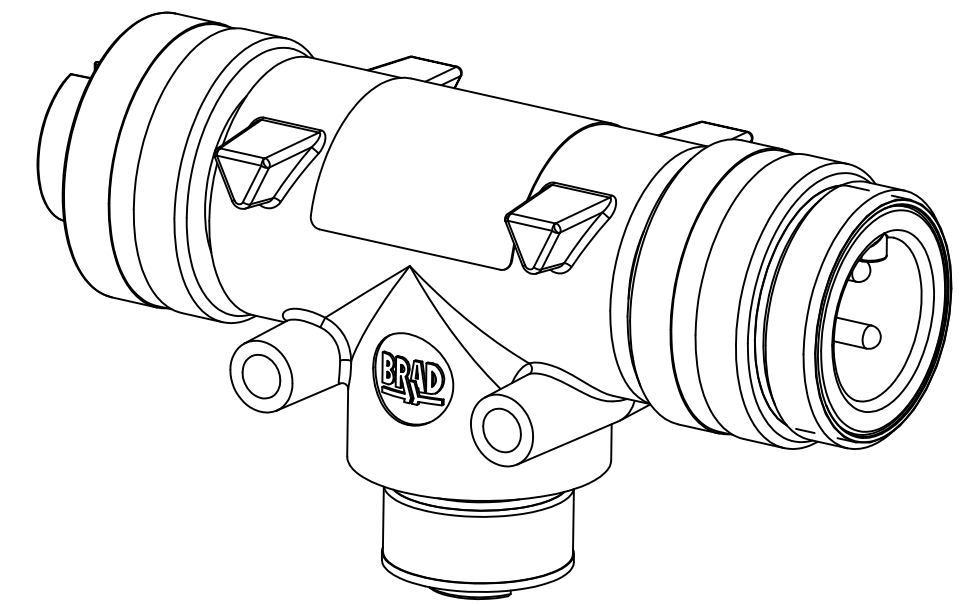
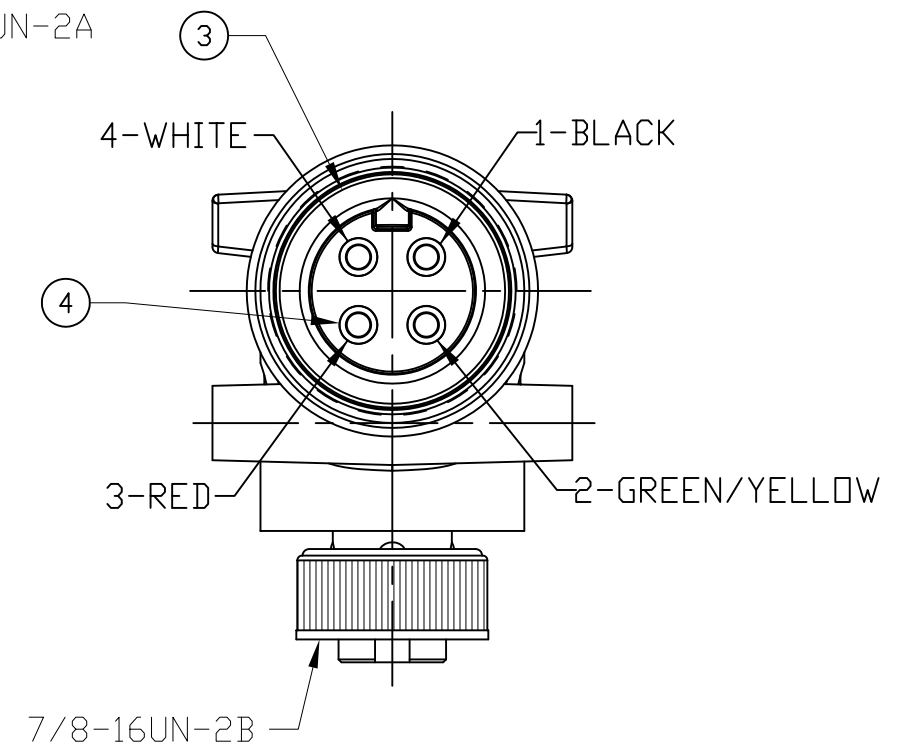
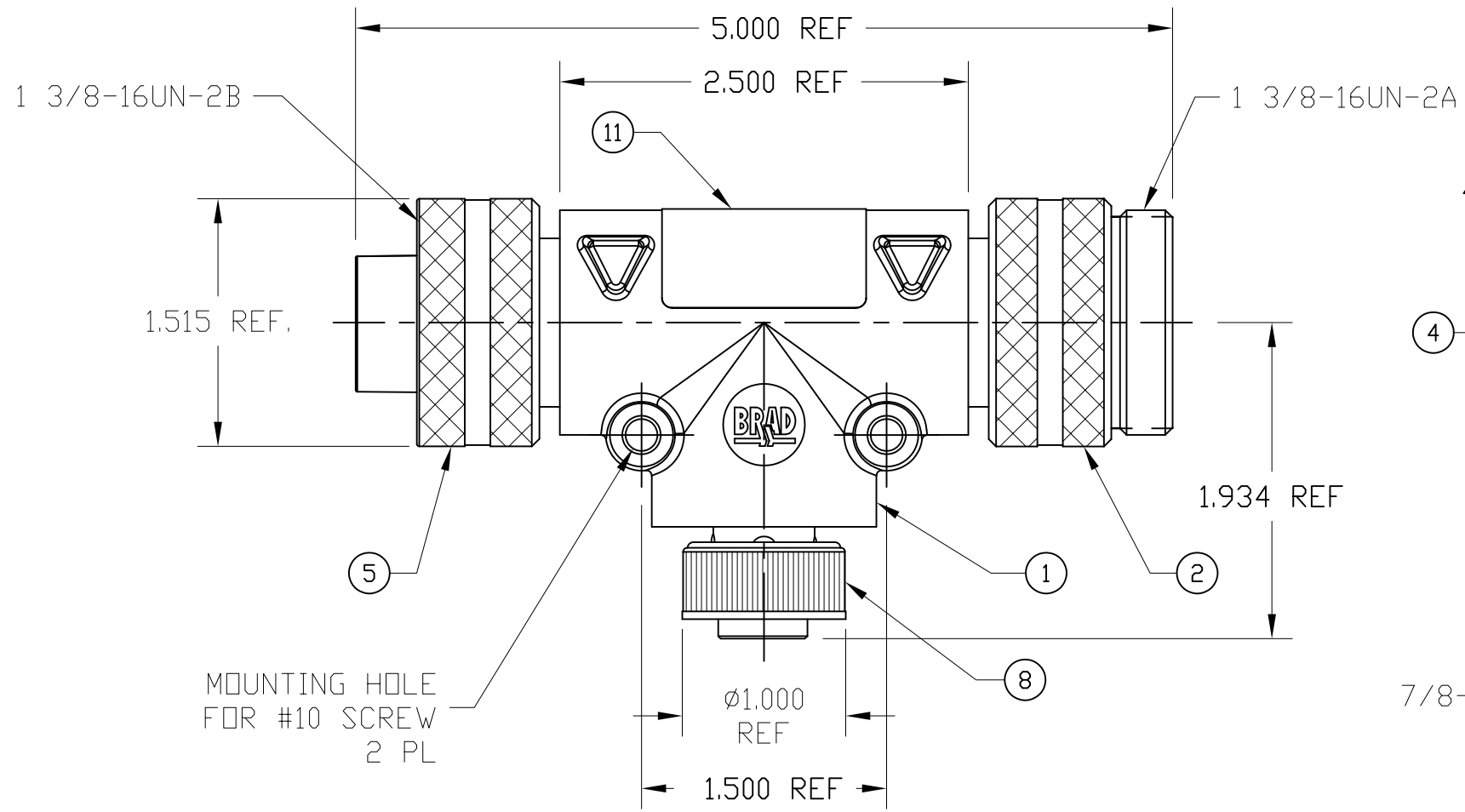
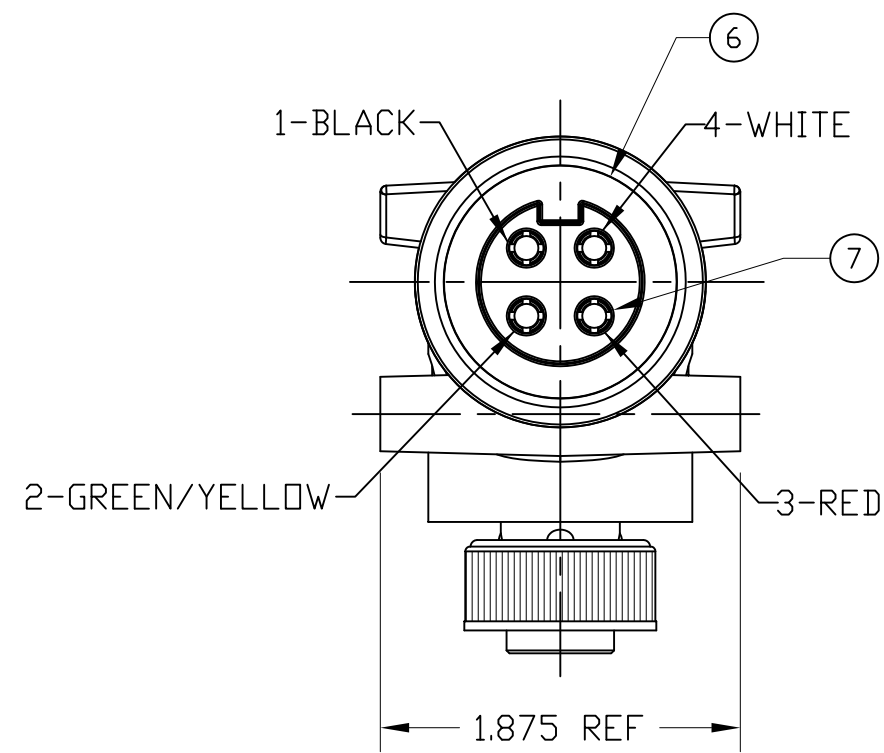


PART NUMBER	ENGINEERING NUMBER
1300680069	TC40140-200



WIRE DIAGRAM

NOTE:

- 1) LABEL IS MARKED WITH P/N, DATE CODE, VOLTAGE & AMPERAGE
- 2) ELECTRICAL DATA:  
REDUCING TEE QC TO MC  
POLES: 4  
MAX. VOLTAGE: 600V AC/DC  
MAX. THRU CURRENT: 25A  
MAX. DROP CURRENT: 15A  
PROTECTION: IP67  
TEMPERATURE RANGE: -20°C TO 90°C
- 3) PACKAGING:  
ASSEMBLIES ARE BAGGED SEPERATELY IN POLY BAGS WITH BAR CODE LABEL ATTACHED TO THE OUTSIDE OF THE BAG.
- 4) ASSEMBLY IS RoHS COMPLIANT
- 5) CERTIFICATION:  
UL LISTED/CSA CERTIFIED , FILE E258922

ITEM	QTY	DESCRIPTION	MATERIAL	FINISH
11	1	LABEL	PLASTIC FILM	BLACK/YELLOW
10	4	MC SOCKET CONTACT	COPPER ALLOY	GOLD PLATED
9	1	MC FEMALE INSERT	PVC	BLACK
8	1	MC COUPLING NUT	ZINC ALLOY	BLACK E-COAT
7	4	QC SOCKET CONTACT	COPPER ALLOY	GOLD PLATED
6	1	QC FEMALE INSERT	PVC	BLACK
5	1	QC FEMALE COUPLING NUT	ALUMINUM	CLEAR ANODIZE
4	4	QC PIN CONTACT	COPPER ALLOY	GOLD PLATED
3	1	QC MALE INSERT	PVC	BLACK
2	1	QC MALE COUPLING NUT	ALUMINUM	CLEAR ANODIZE
1	1	OVERMOLD	PVC	GRAY

RELEASED EC NO: WNA2010-0424 DRWN: KJOZWIK 2010/01/14 CH'KD: BWOODMAN APPR: JFMURPHY 2010/01/15	DESCRIPTION A	<b>QUALITY SYMBOL</b> $\nabla=0$ $\sphericalangle=0$	<b>GENERAL TOLERANCES (UNLESS SPECIFIED)</b>		<b>DIMENSION STYLE</b> IN/MM		SCALE 1:1	DESIGN UNITS INCH	THIRD ANGLE PROJECTION			
			4 PLACES ±--- ±--- 3 PLACES ±--- ±.005 2 PLACES ±0.13 ±.010 1 PLACE ±0.25 ±.020	mm INCH	DRAWN BY KJOZWIK	DATE 2010/01/14	TITLE <b>BRAD POWER QC 4 POLE TEE W/4 POLE MC DROP</b>					
			ANGULAR ±1/2°	DRAFT WHERE APPLICABLE MUST REMAIN WITHIN DIMENSIONS		CHECKED BY BWOODMAN	DATE 2010/01/14	<b>MOLEX INCORPORATED</b>				
			SIZE <b>C</b>	SEE TABLE			APPROVED BY JFMURPHY	DATE 2010/01/15	MATERIAL NO.	DOCUMENT NO. SD-130068-009	SHEET NO. <b>1 OF 1</b>	
THIS DRAWING CONTAINS INFORMATION THAT IS PROPRIETARY TO MOLEX INCORPORATED AND SHOULD NOT BE USED WITHOUT WRITTEN PERMISSION												