

6

5

4

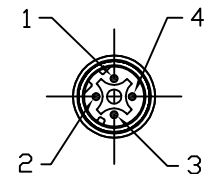
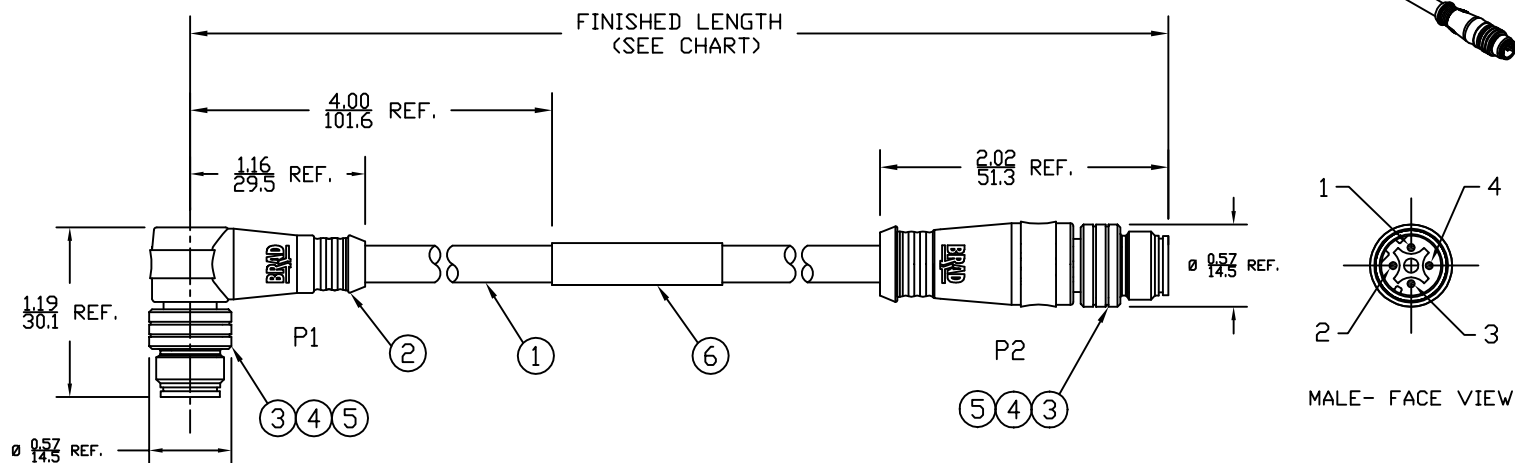
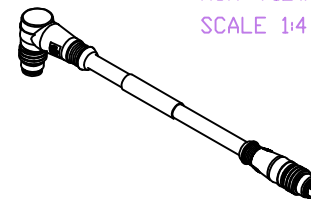
3

2

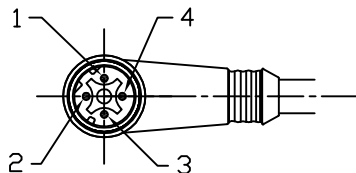
1

PART NUMBER	ENGINEERING NO.	LENGTH ± TOLERANCE
1300480137	E11A06203M010	3' 3" +2.19"/-0" [1M +55.6/-0 mm]
1300480139	E11A06203M050	16' 4" +6.5"/-0" [5M +165.0/-0 mm]

AUX VIEW
SCALE 1:4



MALE-FACE VIEW



MALE-FACE VIEW

P1		P2	
1	ORANGE	1	
2	BLUE	2	
3	ORG/WHITE	3	
4	BLUE/WHITE	4	

WIRING DIAGRAM

NOTES:

- 1) MATERIAL: SEE TABLE
- 2) FINISHES: SEE TABLE
- 3) CABLE: #24/4 UNSHIELDED PVC
- 4) ELECTRICAL DATA:
ACCORDING TO CAT5e ETHERNET STANDARD
MAX. VOLTAGE: 30V
MAX. CURRENT 1.5A
- 5) ENVIRONMENTAL:
PROTECTION IP67
TEMPERATURE RANGE: -20°C TO 75°C
- 6) WRAP LABEL IS MARKED WITH P/N, DATE CODE,
VOLTAGE & AMPERAGE.
- 7) ASSEMBLY IS RoHS COMPLIANT.

ITEM	QTY.	DESCRIPTION	MATERIAL	FINISH
6	1	LABEL	PLASTIC FILM	BLACK/YELLOW
5	2	INSERT	PUR	BLACK
4	8	PIN CONTACT	COPPER ALLOY	GOLD PLATED
3	2	M12 COUPLING NUT	BRASS	NICKEL
2	2	OVERMOLD	PUR	BLACK
1	1	ETHERNET CABLE-CAT5E	PVC JACKET	TEAL

SD RELEASE EC NO: MEL2010-0005 7/13/09 DRWN: VOU CHKD: BWOODMAN APPR: JFMURPHY 2009/07/20	QUALITY SYMBOLS	GENERAL TOLERANCES (UNLESS SPECIFIED)	DIMENSION STYLE	SCALE	DESIGN UNITS	THIRD ANGLE PROJECTION
	▽=0	mm INCH	IN/MM	3:4	INCH	
	▽C=0	4 PLACES ±--- ±---	DRAWN BY DATE	VOU 2009/07/06		
		3 PLACES ±--- ±.005	CHECKED BY DATE	BWOODMAN 2009/07/31		

2 PLACES ±--- ±.010	APPROVED BY DATE	
1 PLACE ±--- ±.020		
ANGULAR ± 1/2°		
DRAFT WHERE APPLICABLE MUST REMAIN WITHIN DIMENSIONS		

MATERIAL NO.	SEE CHART
SIZE	A

TITLE	MICRO-CHANGE CABLE ASSY 4P M/MP ST/90 D-CODE #24/4 UNSHIELDED PVC
MOLEX INCORPORATED	
DOCUMENT NO.	SD-120108-021
SHEET NO.	1 OF 1
THIS DRAWING CONTAINS INFORMATION THAT IS PROPRIETARY TO MOLEX INCORPORATED AND SHOULD NOT BE USED WITHOUT WRITTEN PERMISSION	

6

5

4

3

2

1