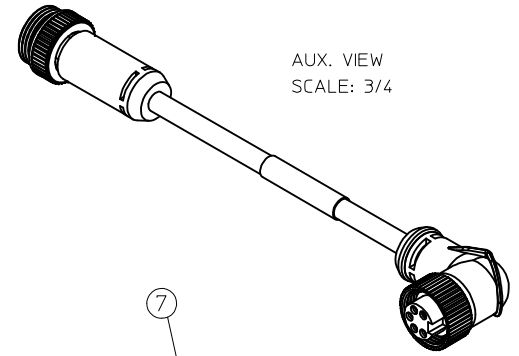


PART NUMBER	ENGINEERING NO.	LENGTH
1300250322	DND91A-M010	3' 3" +2.19 - 0 [1.0M +55.6 - 0]
1300250324	DND91A-M030	9' 10" +3.50 - 0 [3.0M +88.9 - 0]
1300250326	DND91A-M050	16' 5" +6.50 - 0 [5.0M +165.1 - 0]

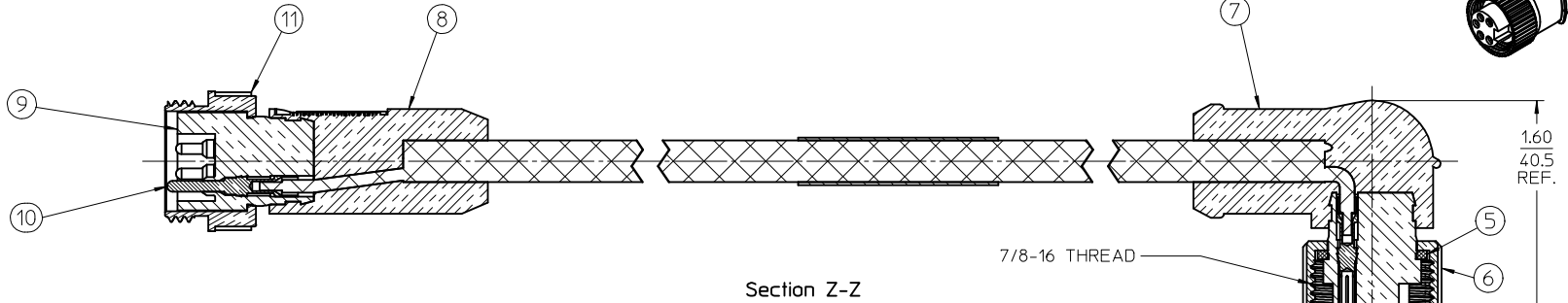
- NOTES:
1. MATERIAL: SEE TABLE
 2. FINISHES: SEE TABLE
 3. CABLE ASSEMBLIES ARE BAGGED SEPERATELY IN POLY BAGS WITH BARCODE LABEL ATTACHED TO OUTSIDE OF BAG
 4. WRAP LABEL IS MARKED WITH P/N, DATE CODE VOLTAGE & AMPERAGE
 5. MATES WITH: MINI CHANGE, A-SIZE 5 POLE RECEPTACLE
 6. ELECTRICAL SPECIFICATIONS:
VOLTAGE RATING: 300V
CURRENT RATING: 4 AMPS
 7. ASSEMBLY IS RoHS COMPLIANT



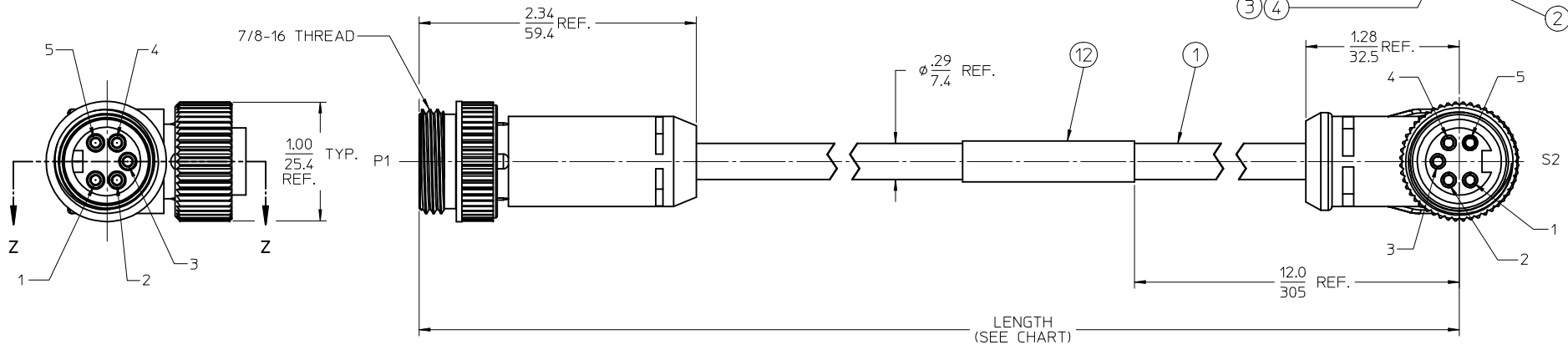
AUX. VIEW
SCALE: 3/4

P1		S2
1	DRAIN	1
2	RED +V	2
3	BLACK -V	3
4	WHITE CAN H	4
5	BLUE CAN L	5

WIRING DIAGRAM



Section Z-Z



ITEM	QTY.	DESCRIPTION	MATERIAL	FINISH
12	1	LABEL	PLASTIC FILM	BLACK/YELLOW
11	1	COUPLING NUT, MALE	ZINC DIE CAST	BLACK
10	5	CONTACT PIN, 22 AWG	BRASS	GOLD PLATED
9	1	INSERT, MALE, 5 POLE	PVC	GRAY
8	1	OVERMOLD, STRAIGHT	PVC	GRAY
7	1	OVERMOLD, 90 DEG	PVC	GRAY
6	1	COUPLING NUT, FEMALE	ZINC DIE CAST	BLACK
5	1	FRICION RING	NYLON	WHITE
4	5	SOCKET SLEEVE	ST. STEEL	
3	5	CONTACT SOCKET, 22 AWG	BRASS	GOLD PLATED
2	1	INSERT, FEMALE, 5 POLE	PVC	GRAY
1	1	CABLE, DEV-NET, DROP, 4/22	PVC JACKET	GRAY

RELEASED	EC NO: MNA2010-0073	DRWNR:STONE	2009/07/31
		CHKD:B. WOODMAN	
		APPR:J.MURPHY	2009/08/10
REV	DESCRIPTION		
A			

QUALITY SYMBOLS
 = 0
 = 0

GENERAL TOLERANCES (UNLESS SPECIFIED)

	mm	INCH
4 PLACES	± ---	± ---
3 PLACES	± ---	± ---
2 PLACES	± ---	± .01
1 PLACE	± 0.3	± ---
ANGULAR ± 1/2°		

DRAFT WHERE APPLICABLE
MUST REMAIN WITHIN DIMENSIONS

DIMENSION STYLE		SCALE	DESIGN UNITS	THIRD ANGLE PROJECTION
IN/MM		1.5:1	INCH	
DRAWN BY	DATE	TITLE		
R.STONE	2009/07/30	MINI-CHANGE, CORD ASSY		
CHECKED BY	DATE	MALE STRT/FEM 90 DEG		
B. WOODMAN	2009/07/31	DEV-NET, DROP STD-THIN		
APPROVED BY	DATE	MATERIAL NO.		
J. MURPHY	2009/07/05	SEE CHART		
MATERIAL NO.		DOCUMENT NO.		
SEE CHART		SD-130025-021		
SIZE	THIS DRAWING CONTAINS INFORMATION THAT IS PROPRIETARY TO MOLEX INCORPORATED AND SHOULD NOT BE USED WITHOUT WRITTEN PERMISSION			

SCALE	DESIGN UNITS	THIRD ANGLE PROJECTION
1.5:1	INCH	
TITLE		
MINI-CHANGE, CORD ASSY		
MALE STRT/FEM 90 DEG		
DEV-NET, DROP STD-THIN		
MATERIAL NO.		
SEE CHART		
DOCUMENT NO.		
SD-130025-021		
SHEET NO.		1 OF 1