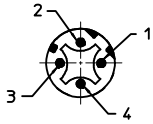
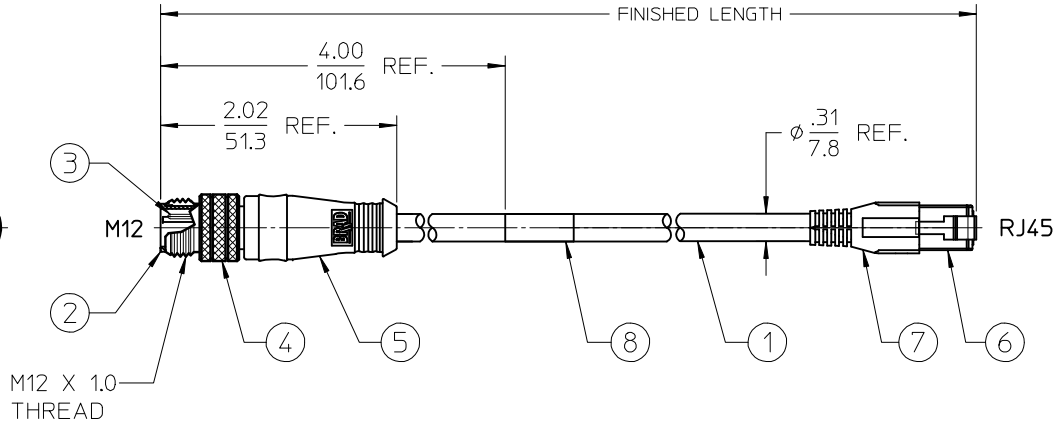
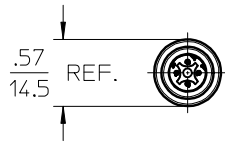


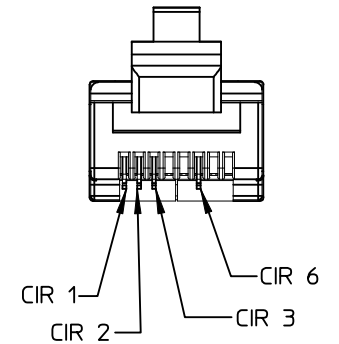
FRONT VIEW - MALE INSERT



- 1-YELLOW
- 2-WHITE
- 3-ORANGE
- 4-BLUE



RJ45 FACE VIEW



- NOTES:
1. MATERIAL: SEE TABLE
  2. FINISHES: SEE TABLE
  3. ELECTRICAL SPECIFICATIONS  
VOLTAGE RATING: 30V  
CURRENT RATING: 1.5 AMPS
  4. PROTECTION: IP67 WHEN MATED
  5. ASSEMBLY IS RoHS COMPLIANT BY EXEMPTION

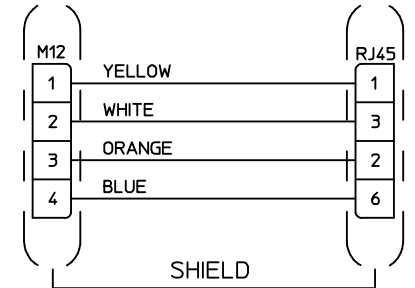
CABLE P/N MATRIX

E16A06017MXXX

CONNECTOR TYPE (DBL ENDED MALE M12 TO RJ45 PLUG)

CABLE TYPE (22 AWG 2PAIR PLTC)

FINISHED LENGTH  
M001 = 0.1M  
M010 = 1.0M  
M100 = 10.0M



WIRING DIAGRAM

8	1	WRAP LABEL	VINYL	BLACK/YELLOW
7	1	RJ45 BOOT	PVC	BLACK
6	1	RJ45 PLUG	PC SHELL, BRASS CONT	CLEAR, GOLD PLT
5	1	OVERMOLD	TPE	GRAY
4	1	COUPLING, M12, MALE	BRASS	NICKEL PLATED
3	4	CONTACT PIN	Cu ALLOY	GOLD PLATED
2	1	INSERT, 4P, D-CODE, MALE	PUR	BLACK
1	1	CABLE, PROFINET, 2PR, 22 AWG, SHLD, PLTC	TPE JACKET	GREEN
ITEM	QTY.	DESCRIPTION	MATERIAL	FINISH

RELEASED  
EC NO: IPG2016-0528  
DRW:RSTONE 2015/10/08  
CHKD:KJOWZIK  
APPR:RWOODMAN 2015/10/12

QUALITY SYMBOLS  
▽=0  
▽=0

GENERAL TOLERANCES (UNLESS SPECIFIED)

	mm	INCH
4 PLACES	± ---	± ---
3 PLACES	± ---	± ---
2 PLACES	± ---	± .01
1 PLACE	± 0.3	± ---
0 PLACE	± ---	± ---

ANGULAR ± 1°  
DRAFT WHERE APPLICABLE  
MUST REMAIN WITHIN DIMENSIONS

DIMENSION STYLE IN/MM  
DRAWN BY DATE  
RSTONE 2015/10/08  
CHECKED BY DATE  
KJOWZIK  
APPROVED BY DATE  
RWOODMAN 2015/10/12  
MATERIAL NO.  
-  
SIZE B

SCALE 1:1  
DESIGN UNITS INCH  
THIRD ANGLE PROJECTION  
TITLE  
M12 D-CODE CABLE ASSY  
4P MALE TO RJ45 PLUG  
22 AWG, 2 PAIR PLTC  
DOCUMENT NO.  
SD-120108-092  
SHEET NO.  
1 OF 1  
THIS DRAWING CONTAINS INFORMATION THAT IS PROPRIETARY TO MOLEX INCORPORATED AND SHOULD NOT BE USED WITHOUT WRITTEN PERMISSION