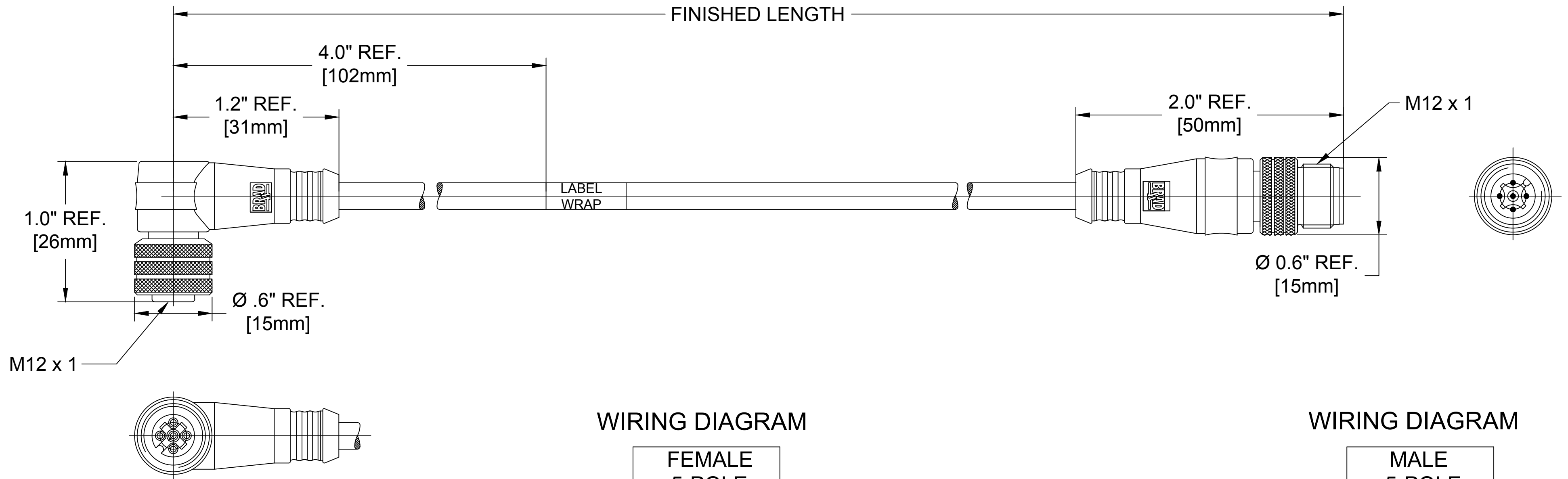
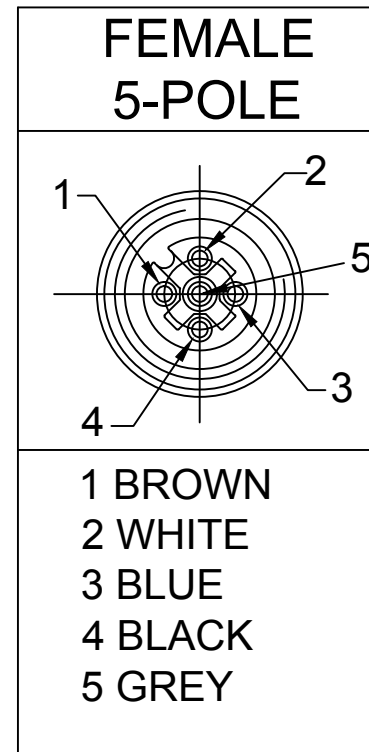


MATERIAL NUMBER	OLD PART NUMBER	FINISHED LENGTH
1200668731	885031K03M006	.6M +44.5mm -0 [2FT. +1.75IN -0]
1200668732	885031K03M100	10M +317.5mm -0 [32.8FT. +12.50IN -0]



**WIRING DIAGRAM**

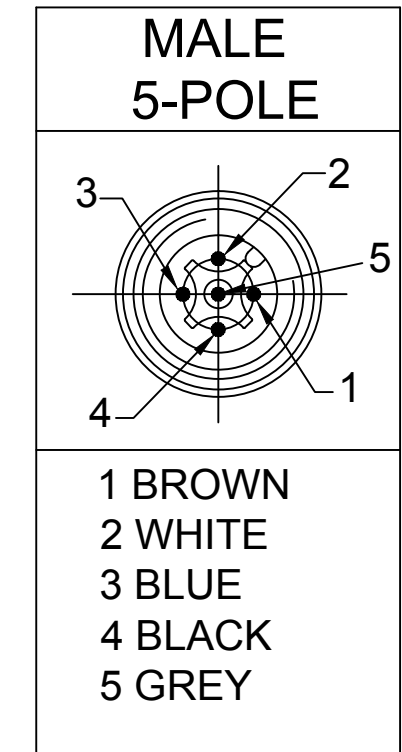


**885031K03M006**

cable type  
#18/5  
TPE YELLOW

cable length  
006----.6 Meters  
100----10 Meters

**WIRING DIAGRAM**



**SPECIFICATION DATA**

COMPONENT	MATERIAL	FINISH
LABEL	VINYL	BLACK/YELLOW
COUPLER	BRASS	NICKEL/TEFLON
CONTACT	COPPER ALLOY	Au OVER Ni
INSERT	PUR	BLACK
OVERMOLD	TPE	YELLOW
CABLE #18/5	TPE	YELLOW
VOLTAGE RATING:		250V
AMPERAGE RATING:		4A
PROTECTION CLASS:		IP 67
CABLE TEMPERATURE:		-40°C / 105°C

EC NO: IFCG2014-0798 DRWN: GGUSTAFS 2013/10/30 CH'KD: VOU APPR: BWOODMAN2013/12/12 RELEASE	DESCRIPTION A	QUALITY SYMBOL	GENERAL TOLERANCES (UNLESS SPECIFIED) 4 PLACES ±--- ±--- 3 PLACES ±--- ±.005 2 PLACES ±0.13 ±.010 1 PLACE ±0.25 ±.020 ANGULAR ±.5° DRAFT WHERE APPLICABLE MUST REMAIN WITHIN DIMENSIONS	DIMENSION STYLE	SCALE	DESIGN UNITS	THIRD ANGLE PROJECTION <b>MICRO-CHANGE ASSY</b> <b>5 POLE M ST FE 90</b> <b>18/5 TPE YELLOW</b> <b>MOLEX INCORPORATED</b> MOLEX MATERIAL NO. SEE CHART DOCUMENT NO. SD-120066-055 SHEET NO. 1 OF 1
		IN/MM		NTS	INCH		
		DRAWN BY DATE		TITLE			
		CHECKED BY DATE		DATE			
APPROVED BY DATE	DATE		APPROVED BY DATE		DATE		